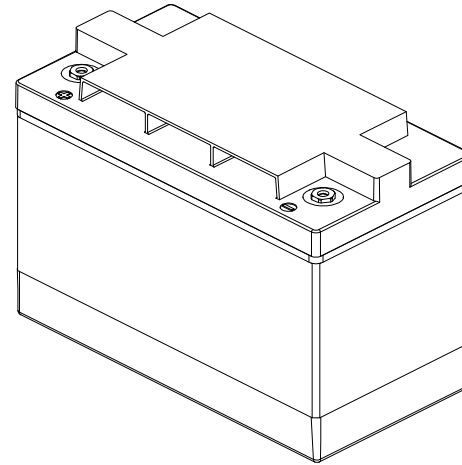
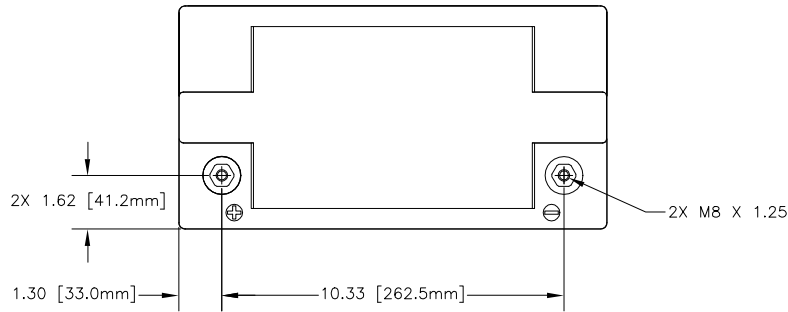


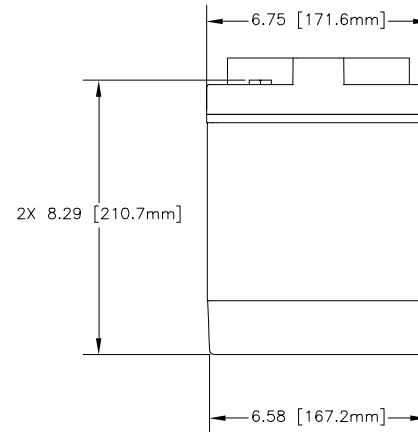
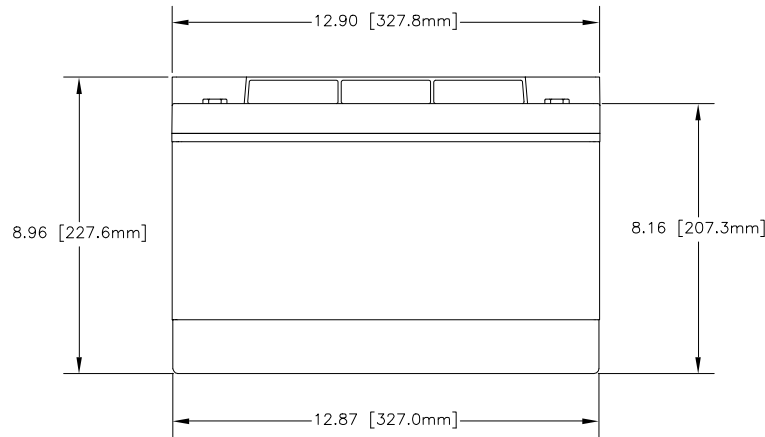
NOTES: UNLESS OTHERWISE SPECIFIED

1. SEE DRAWING NO. CB-00286 AND PROCEDURE P-1000 FOR ASSEMBLY AND TEST INSTRUCTION. PROCEDURES AND ASSEMBLY DRAWINGS ARE FOR INTERNAL USE ONLY.
2. ALL TESTING ARE IAW BATTERY COUNCIL INTERNATIONAL STANDARDS.
3. ALL DIMENSIONS ARE IN INCHES [MM].
4. ABBREVIATION USED IN TITLE IS: SEALED LEAD ACID (SLA).

REVISIONS			
REV	DESCRIPTION	DATE	APPROVED



REFERENCE VIEW



CAPACITY RATINGS		
PART NUMBER	PVX-890T	PVX-1080T
NOMINAL WEIGHT	62 LBS [28.2 KG]	70 LBS [31.8 KG]
AMPERE HOUR CAPACITY @ 24 HOUR 1.75 VOLTS/CELL @ 77°F (25°C)	89 AH	108 AH

ENVELOPE DRAWING

QTY REQD	CAGE CODE	PART OR IDENTIFYING NO.	NOMENCLATURE OR DESCRIPTION	MATERIAL SPECIFICATION	ITEM NO.
PARTS LIST					
UNLESS OTHERWISE SPECIFIED DIMENSIONS ARE IN INCHES TOLERANCES ARE:			CONCORDE BATTERY CORPORATION		
FRACTIONS DECIMALS ANGLES			2009 SAN BERNARDINO RD., W. COVINA, CA 91790		
± 1/32	.XX ± .06	± 1°	APPROVALS		DATE
	.XXX ± .030		DRAWN ELH		8/13/01
TREATMENT	NONE	CHECKED	HRF	8/21/01	
FINISH	NONE	APPROVED	JBT	8/23/01	
SIMILAR TO	ACT WT NA	CALC WT NA	ISSUED	AT	8/24/01
TITLE			SIZE	CAGE CODE	DWG NO.
BATTERY, SLA, 12 VOLT, PVX-1080T SERIES			C	63017	PVX-1080T
SCALE			SHEET		REV
NONE			1 OF 1		