



DEEP CYCLE-SOLAR SERIES 5000

BATTERY TYPE

VOLTS 6

6 CS 25PS

DIMENSIONS

LENGTH	559 MM	22	INCHES
WIDTH	286 MM	11 1/4	INCHES
HEIGHT	464 MM	18 1/4	INCHES

WEIGHT DRY

115 KG 254 LBS.

WEIGHT WET

145 KG 318 LBS.

CONTAINER CONSTRUCTION

INNER CONTAINER	POLYPROPYLENE
INNER COVER	POLYPROPYLENE - HEAT SEALED TO INNER CONTAINER
OUTER CONTAINER	HIGH DENSITY POLYETHYLENE
OUTER COVER	HIGH DENSITY POLYETHYLENE SNAP FIT TO OUTER CONTAINER
HANDLES	MOLDED

PLATES PER CELL

25

ELECTROLYTE RESERVE ABOVE PLATES

95 MM 3.75 INCHES

DESIGN CRITREA 10 YEAR WARRANTY

3300 CYCLES 15 YEAR LIFE

POSITIVE PLATE DIMENSION

HEIGHT	273 MM	10.750	INCHES
WIDTH	143 MM	5.625	INCHES
THICKNESS	6.60 MM	0.260	INCHES

NEGATIVE PLATE DIMENSION

HEIGHT	273 MM	10.750	INCHES
WIDTH	143 MM	5.625	INCHES
THICKNESS	4.57 MM	0.180	INCHES

SEPARATOR

SEPARATOR THICKNESS 0.105 INCH

INSULATION

POSITVE PLATE ENVELOPED BY VERTICAL SLYVER GLASS MAT

TERMINALS

FLAG WITH STAINLESS STEEL NUTS AND BOLTS

COLD CRANK

CCA	0°F / -17.8°C	2088
MCA	32°F / 0°C	2610

RESERVE

1624

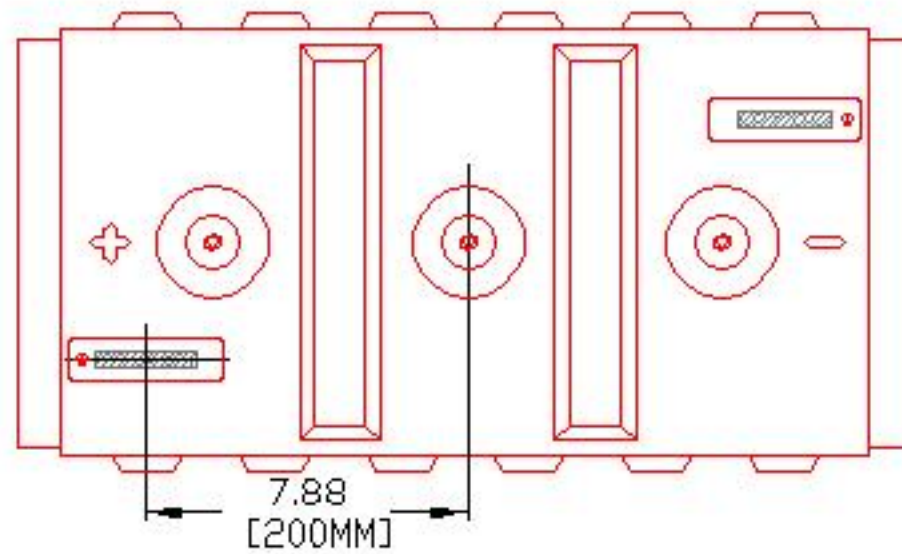
MINUTES AT 25A

CAPACITY

20 HR RATE 820

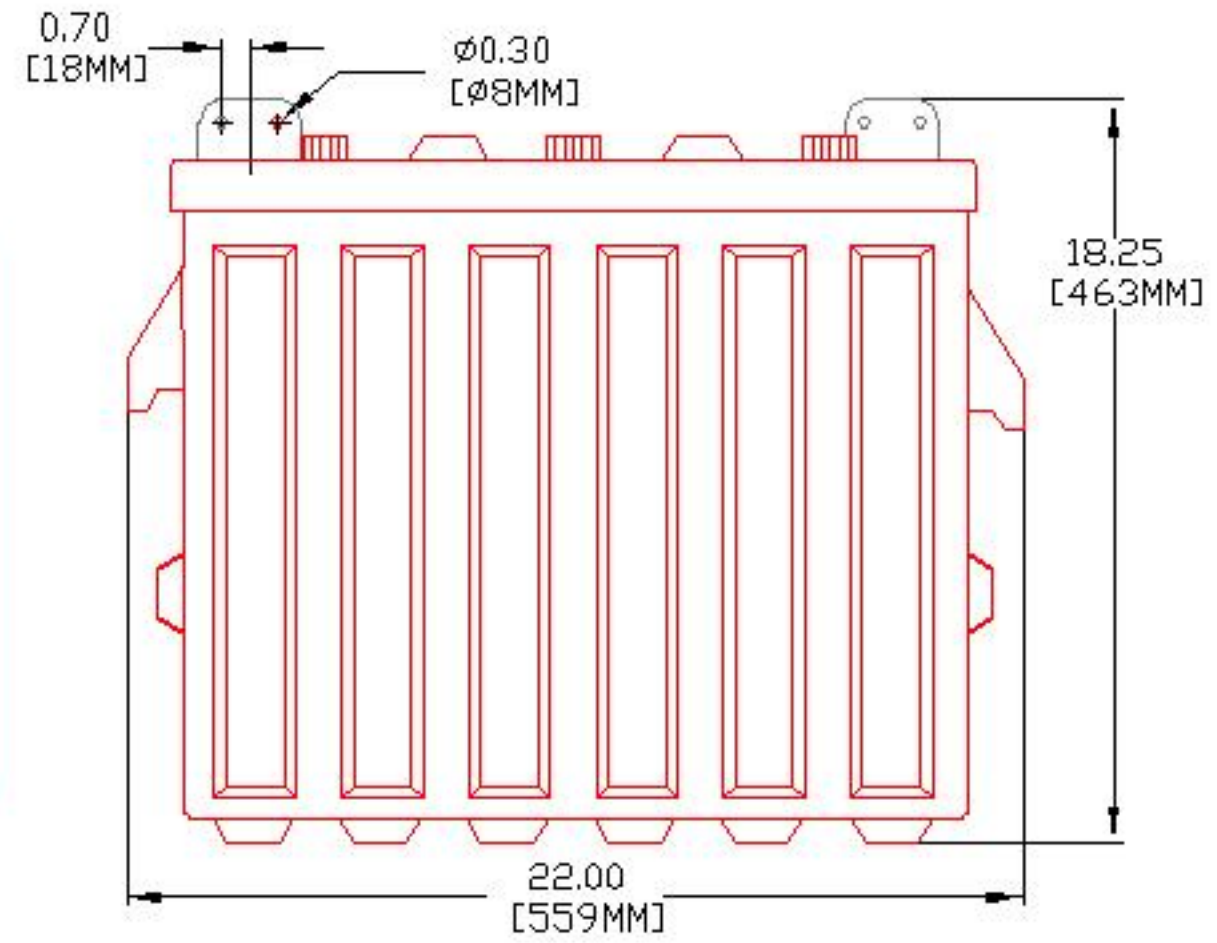
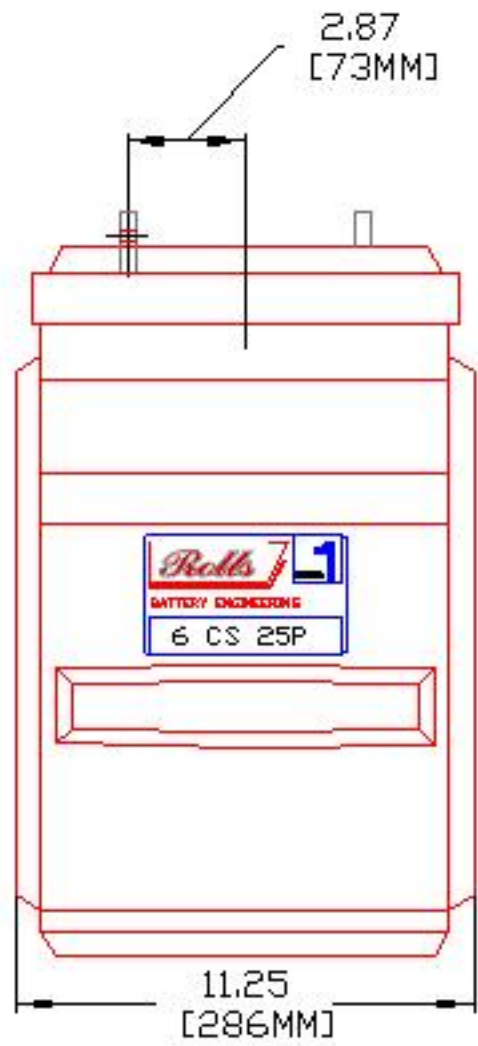
CAP / AH CURRENT / AMPS

CAPACITY AT THE 100 HOUR RATE	1.265 SP. GR.	1156	11.6
CAPACITY AT THE 72 HOUR RATE	1.265 SP. GR.	1091	15.1
CAPACITY AT THE 50 HOUR RATE	1.265 SP. GR.	1009	20.2
CAPACITY AT THE 24 HOUR RATE	1.265 SP. GR.	853	35.5
CAPACITY AT THE 20 HOUR RATE	1.265 SP. GR.	820	41
CAPACITY AT THE 15 HOUR RATE	1.265 SP. GR.	763	51
CAPACITY AT THE 12 HOUR RATE	1.265 SP. GR.	713	59
CAPACITY AT THE 10 HOUR RATE	1.265 SP. GR.	681	68
CAPACITY AT THE 8 HOUR RATE	1.265 SP. GR.	640	80
CAPACITY AT THE 6 HOUR RATE	1.265 SP. GR.	582	97
CAPACITY AT THE 5 HOUR RATE	1.265 SP. GR.	549	110
CAPACITY AT THE 4 HOUR RATE	1.265 SP. GR.	508	127
CAPACITY AT THE 3 HOUR RATE	1.265 SP. GR.	394	131
CAPACITY AT THE 2 HOUR RATE	1.265 SP. GR.	394	197
CAPACITY AT THE 1 HOUR RATE	1.265 SP. GR.	279	279



PART NUMBER: 6-CS-25P
 WEIGHT WET: 318 LB / 144 KG
 WEIGHT DRY: 254 LB / 115 KG
 CAPACITY: 820 AH 20 HR
 1,156 AH 100 HR
 VOLTAGE: 6 V
 OVERALL DIMENSIONS: 22 X 11 1/4 X 18 1/4"

 MAX HEIGHT WITH OPTIONAL HYDROCAPS: 18 5/8" - 473 MM



BATTERY ENGINEERING SALEM, MASS

TITLE: 6CS25P

DESCRIPTION: 6V / 3 CELL 25 PLATE (CS) DEEP CYCLE 500/5000 SERIES

CONTACT INFO:
 WEB: WWW.ROLLSBATTERY.COM
 E-MAIL: SALES@ROLLSBATTERY.COM
 PHONE: 1-800-681-9914

SCALE: 1" = 6" 1" = 4" JPEG
 8.5" X 11" 11" X 17" NOT TO SCALE

Drawn by: S. WILES Approved By: D. SURRETTE

DATE: 14-JUN-00 REVISION: 2.1

DRAWING NO: DWG 007, BD6CS25P