



# DEEP CYCLE-SOLAR SERIES 5000

**BATTERY TYPE** VOLTS 6 **6 CS 21PS**

**DIMENSIONS**

LENGTH	559 MM	22	INCHES
WIDTH	248 MM	9 3/4	INCHES
HEIGHT	464 MM	18 1/4	INCHES

<b>WEIGHT DRY</b>	99 KG	217	LBS.
<b>WEIGHT WET</b>	123 KG	271	LBS.

**CONTAINER CONSTRUCTION**

INNER CONTAINER	POLYPROPYLENE
INNER COVER	POLYPROPYLENE - HEAT SEALED TO INNER CONTAINER
OUTER CONTAINER	HIGH DENSITY POLYETHYLENE
OUTER COVER	HIGH DENSITY POLYETHYLENE SNAP FIT TO OUTER CONTAINER
HANDLES	MOLDED

**PLATES PER CELL** 21

**ELECTROLYTE RESERVE** ABOVE PLATES 95 MM 3.75 INCHES

**DESIGN CRITREA** 10 YEAR WARRANTY 3300 CYCLES 15 YEAR LIFE

**POSITIVE PLATE DIMENSION**

HEIGHT	273 MM	10.750	INCHES
WIDTH	143 MM	5.625	INCHES
THICKNESS	6.60 MM	0.260	INCHES

**NEGATIVE PLATE DIMENSION**

HEIGHT	273 MM	10.750	INCHES
WIDTH	143 MM	5.625	INCHES
THICKNESS	4.57 MM	0.180	INCHES

**SEPARATOR** SEPARATOR THICKNESS 0.105 INCH

**INSULATION** POSITVE PLATE ENVELOPED BY VERTICAL SLYVER GLASS MAT

**TERMINALS** FLAG WITH STAINLESS STEEL NUTS AND BOLTS

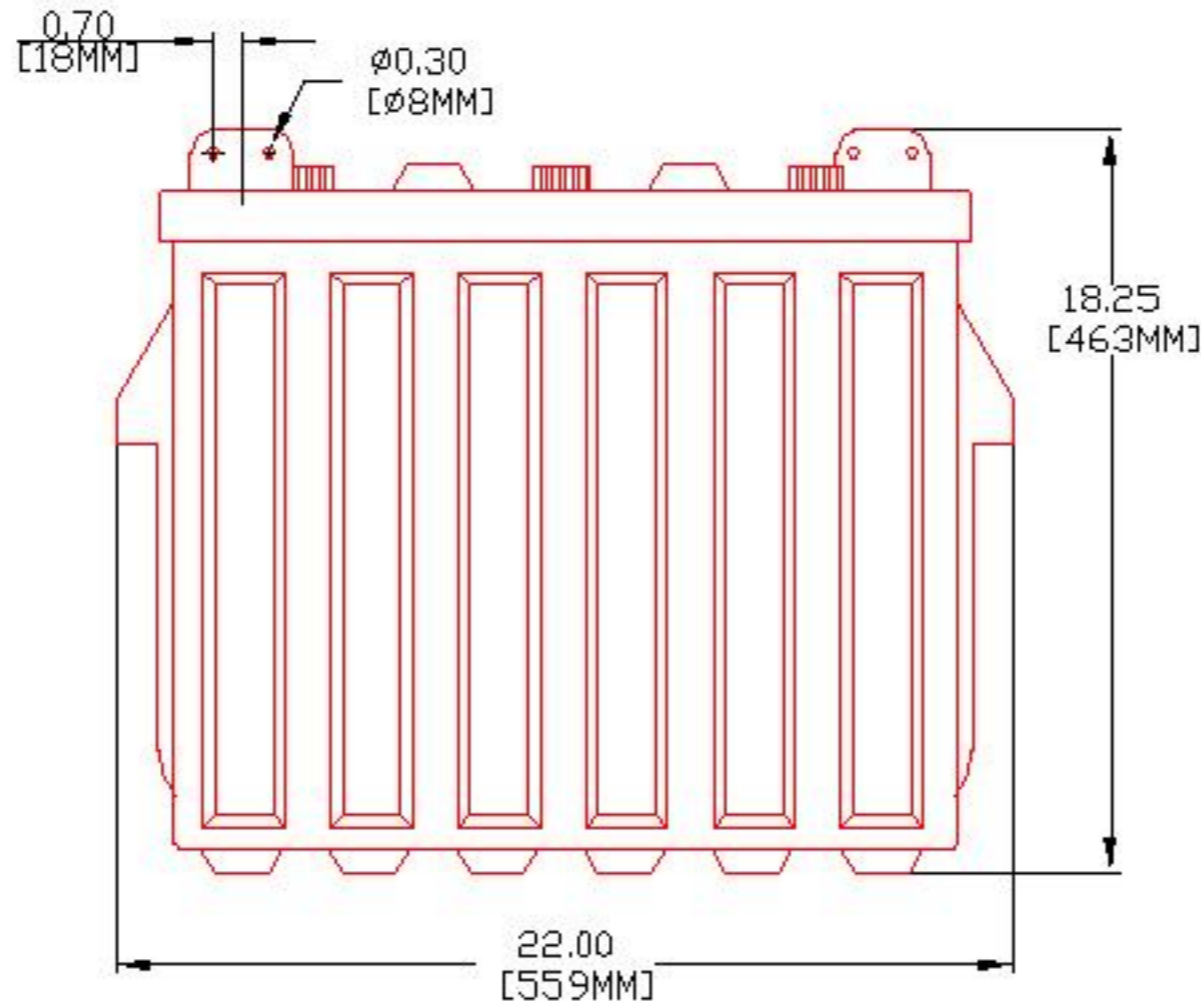
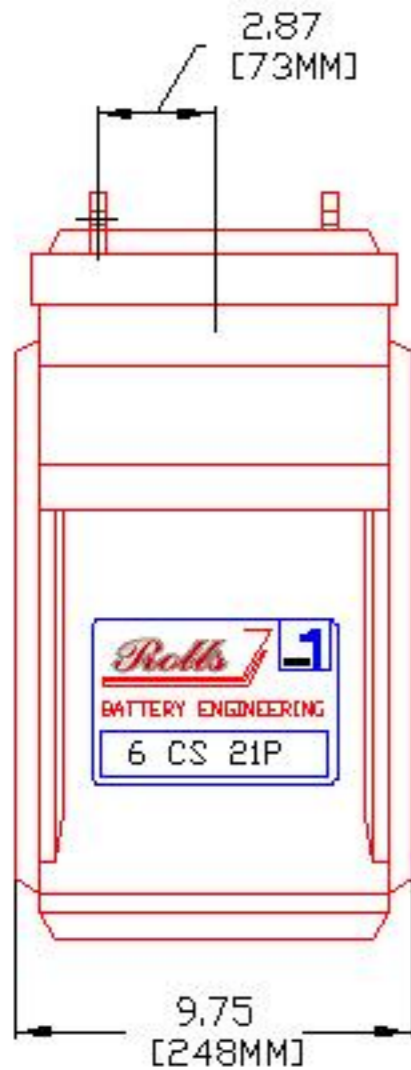
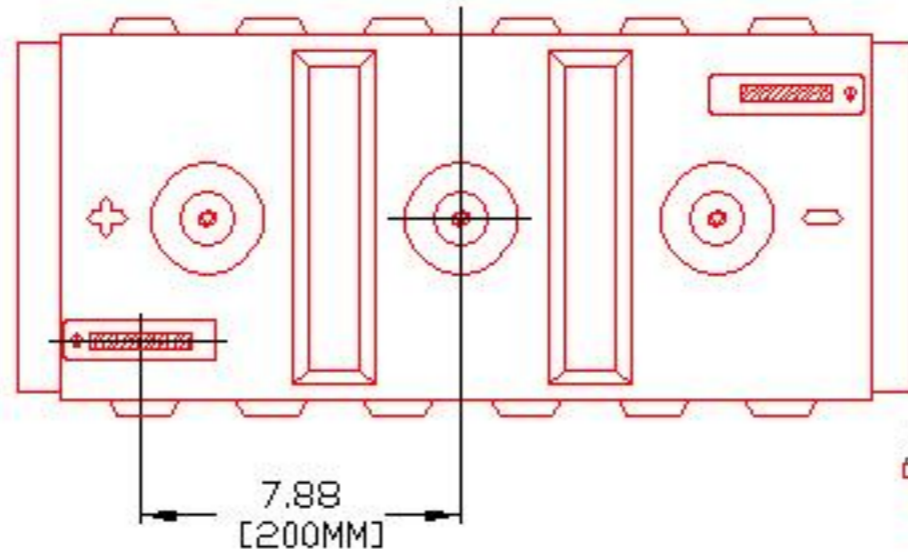
<b>COLD CRANK</b>	CCA	0°F / -17.8°C	1740	<b>RESERVE</b>	1353
	MCA	32°F / 0°C	2175	<b>MINUTES AT 25A</b>	

**CAPACITY** 20 HR RATE 683

		CAP / AH	CURRENT / AMPS
CAPACITY AT THE 100 HOUR RATE	1.265 SP. GR.	963	9.63
CAPACITY AT THE 72 HOUR RATE	1.265 SP. GR.	908	12.62
CAPACITY AT THE 50 HOUR RATE	1.265 SP. GR.	840	16.80
CAPACITY AT THE 24 HOUR RATE	1.265 SP. GR.	710	29.6
<b>CAPACITY AT THE 20 HOUR RATE</b>	<b>1.265 SP. GR.</b>	<b>683</b>	<b>34.2</b>
CAPACITY AT THE 15 HOUR RATE	1.265 SP. GR.	635	42.3
CAPACITY AT THE 12 HOUR RATE	1.265 SP. GR.	594	49.5
CAPACITY AT THE 10 HOUR RATE	1.265 SP. GR.	567	56.7
CAPACITY AT THE 8 HOUR RATE	1.265 SP. GR.	533	66.6
CAPACITY AT THE 6 HOUR RATE	1.265 SP. GR.	485	80.8
CAPACITY AT THE 5 HOUR RATE	1.265 SP. GR.	458	92
CAPACITY AT THE 4 HOUR RATE	1.265 SP. GR.	423	106
CAPACITY AT THE 3 HOUR RATE	1.265 SP. GR.	382	127
CAPACITY AT THE 2 HOUR RATE	1.265 SP. GR.	328	164
CAPACITY AT THE 1 HOUR RATE	1.265 SP. GR.	232	232



PART NUMBER: 6-CS-21P  
 WEIGHT WET: 271 LB / 123 KG  
 WEIGHT DRY: 217 LB / 98 KG  
 CAPACITY: 683 AH 20 HR  
 963 AH 100 HR  
 VOLTAGE: 6 V  
 OVERALL DIMENSIONS: 22X9 3/4X18 1/4"  
 MAX HEIGHT WITH OPTIONAL HYDROCAPS: 18 5/8" - 473 MM



*Rolls*

BATTERY ENGINEERING SALEM, MASS

TITLE: 6CS21P

DESCRIPTION: 6V / 2 CELL 21 PLATE (CS) DEEP CYCLE 500/5000 SERIES

CONTACT INFO:  
 WEB: WWW.ROLLSBATTERY.COM  
 E-MAIL: SALES@ROLLSBATTERY.COM  
 PHONE: 1-800-681-9914

SCALE: 1" = 6" 1" = 4" JPEG NOT TO SCALE  
 8.5" X 11" 11" X 17"

Drawn by: S. WILES Approved By: D. SURRETTE

DATE: 14-JUN-00 REVISION 2.1

DRAWING NO.: DWG 006, BD6CS21P