



DEEP CYCLE-SOLAR SERIES 5000

BATTERY TYPE

VOLTS 8

8 CS 17PS

DIMENSIONS

LENGTH	718 MM	28 1/4	INCHES
WIDTH	210 MM	8 1/4	INCHES
HEIGHT	464 MM	18 1/4	INCHES

WEIGHT DRY

108 KG 238 LBS.

WEIGHT WET

134 KG 294 LBS.

CONTAINER CONSTRUCTION

INNER CONTAINER	POLYPROPYLENE
INNER COVER	POLYPROPYLENE - HEAT SEALED TO INNER CONTAINER
OUTER CONTAINER	HIGH DENSITY POLYETHYLENE
OUTER COVER	HIGH DENSITY POLYETHYLENE SNAP FIT TO OUTER CONTAINER
HANDLES	MOLDED

PLATES PER CELL

17

ELECTROLYTE RESERVE ABOVE PLATES

95 MM 3.75 INCHES

DESIGN CRITREA 10 YEAR WARRANTY

3300 CYCLES 15 YEAR LIFE

POSITIVE PLATE DIMENSION

HEIGHT	273 MM	10.75	INCHES
WIDTH	143 MM	5.625	INCHES
THICKNESS	6.73 MM	0.265	INCHES

NEGATIVE PLATE DIMENSION

HEIGHT	273 MM	10.75	INCHES
WIDTH	143 MM	5.625	INCHES
THICKNESS	4.70 MM	0.185	INCHES

SEPARATOR INSULATION

SEPARATOR THICKNESS 0.105 INCH
0.020" GLASS MAT

TERMINALS

FLAG WITH STAINLESS STEEL NUTS AND BOLTS

COLD CRANK

CCA 0°F / -17.8°C 1351
MCA 32°F / 0°C 1689

RESERVE

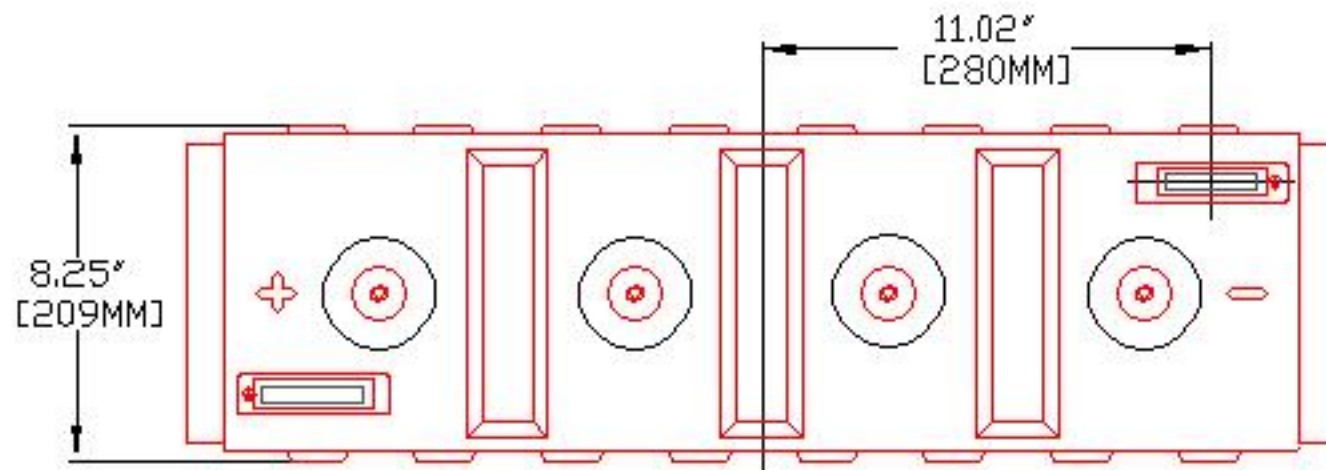
MINUTES AT 25A 1083

CAPACITY

20 HR RATE 546

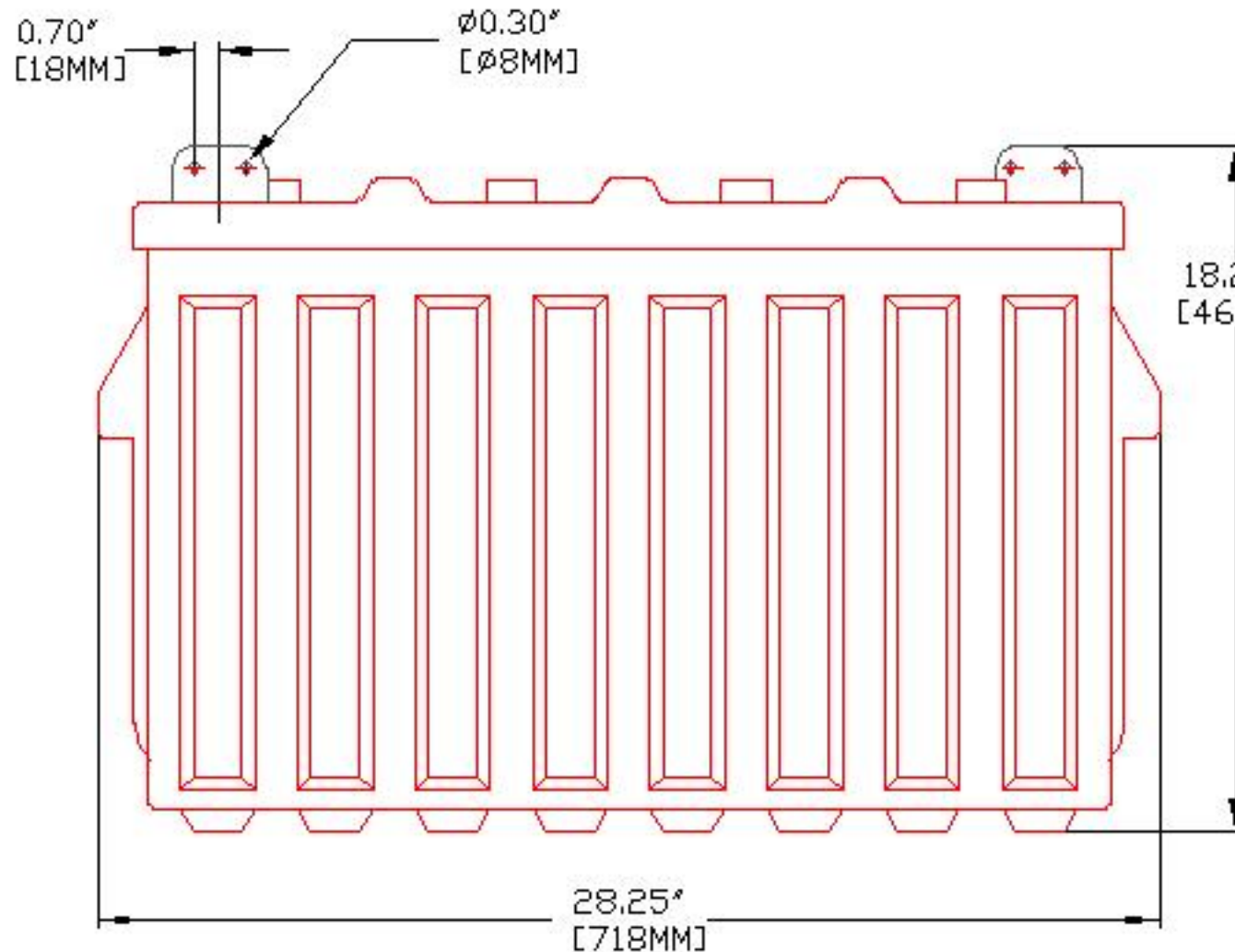
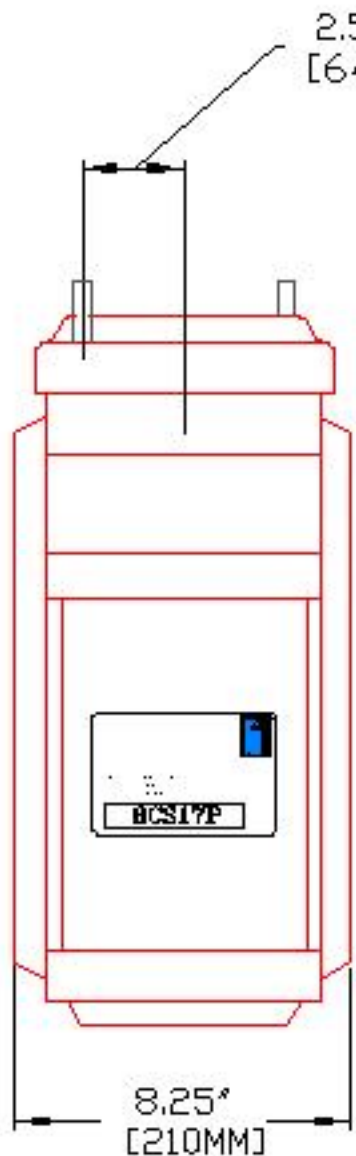
CAP / AH CURRENT / AMPS

CAPACITY AT THE 100 HOUR RATE	1.265 SP. GR.	770	7.70
CAPACITY AT THE 72 HOUR RATE	1.265 SP. GR.	726	10.09
CAPACITY AT THE 50 HOUR RATE	1.265 SP. GR.	672	13.43
CAPACITY AT THE 24 HOUR RATE	1.265 SP. GR.	568	23.7
CAPACITY AT THE 20 HOUR RATE	1.265 SP. GR.	546	27.3
CAPACITY AT THE 15 HOUR RATE	1.265 SP. GR.	508	33.9
CAPACITY AT THE 12 HOUR RATE	1.265 SP. GR.	475	39.6
CAPACITY AT THE 10 HOUR RATE	1.265 SP. GR.	453	45.3
CAPACITY AT THE 8 HOUR RATE	1.265 SP. GR.	426	53.2
CAPACITY AT THE 6 HOUR RATE	1.265 SP. GR.	388	64.6
CAPACITY AT THE 5 HOUR RATE	1.265 SP. GR.	366	73
CAPACITY AT THE 4 HOUR RATE	1.265 SP. GR.	339	85
CAPACITY AT THE 3 HOUR RATE	1.265 SP. GR.	306	102
CAPACITY AT THE 2 HOUR RATE	1.265 SP. GR.	262	131
CAPACITY AT THE 1 HOUR RATE	1.265 SP. GR.	186	186



PART NUMBER: 8-CS-17P
 WEIGHT WET: 295 LB / 134 KG
 WEIGHT DRY: 238 LB / 108 KG
 CAPACITY: 546 AH 20 HR
 770 AH 100 HR
 VOLTAGE: 8 V
 OVERALL DIMENSIONS: 28 1/4" X 8 1/4" X 18 1/4"

 MAX HEIGHT WITH OPTIONAL HYDROCAPS: 18.63" / 473.2 MM



Rolls
 BATTERY ENGINEERING
 SPRINGHILL, NOVA SCOTIA, CANADA

TITLE: 8CS17P
 DESCRIPTION: 8V / 4 CELL 17 PLATE (CS) DEEP CYCLE 500/5000 SERIES
 CONTACT INFO:
 WEB: WWW.ROLLSBATTERY.COM
 E-MAIL: SALES@ROLLSBATTERY.COM
 PHONE: 1-800-681-9914

SCALE: 1" = 6" 1" = 4" JPEG
 8.5" X 11" 11" X 17" NOT TO SCALE

Drawn by: S. WILES
 Approved By: D. SURRETTE

DATE: 16-Feb-01 REVISION: 1.1

DRAWING NO.: DWG 036, BD8CS17P