



# DEEP CYCLE-SOLAR SERIES 5000

**BATTERY TYPE** VOLTS 12 **12 CS 11PS**

**DIMENSIONS**

LENGTH	559 MM	22	INCHES
WIDTH	286 MM	11 1/4	INCHES
HEIGHT	464 MM	18 1/4	INCHES

<b>WEIGHT DRY</b>	100 KG	220	LBS.
<b>WEIGHT WET</b>	124 KG	272	LBS.

**CONTAINER CONSTRUCTION**

INNER CONTAINER	POLYPROPYLENE
INNER COVER	POLYPROPYLENE - HEAT SEALED TO INNER CONTAINER
OUTER CONTAINER	HIGH DENSITY POLYETHYLENE
OUTER COVER	HIGH DENSITY POLYETHYLENE SNAP FIT TO CONTAINER
HANDLES	MOLDED

**PLATES PER CELL** 11

**ELECTROLYTE RESERVE** ABOVE PLATES 95 MM 3.75 INCHES

**DESIGN CRITREA** 10 YEAR WARRANTY 3300 CYCLES 15 YEAR LIFE

**POSITIVE PLATE DIMENSION**

HEIGHT	273 MM	10.750	INCHES
WIDTH	143 MM	5.625	INCHES
THICKNESS	6.73 MM	0.265	INCHES

**NEGATIVE PLATE DIMENSION**

HEIGHT	273 MM	10.750	INCHES
WIDTH	143 MM	5.625	INCHES
THICKNESS	4.70 MM	0.185	INCHES

**SEPARATOR** SEPARATOR THICKNESS 0.105 INCH

**INSULATION** POSITIVE PLATE ENVELOPED BY VERTICAL SLYVER GLASS MAT

**TERMINALS** FLAG WITH STAINLESS STEEL NUTS AND BOLTS

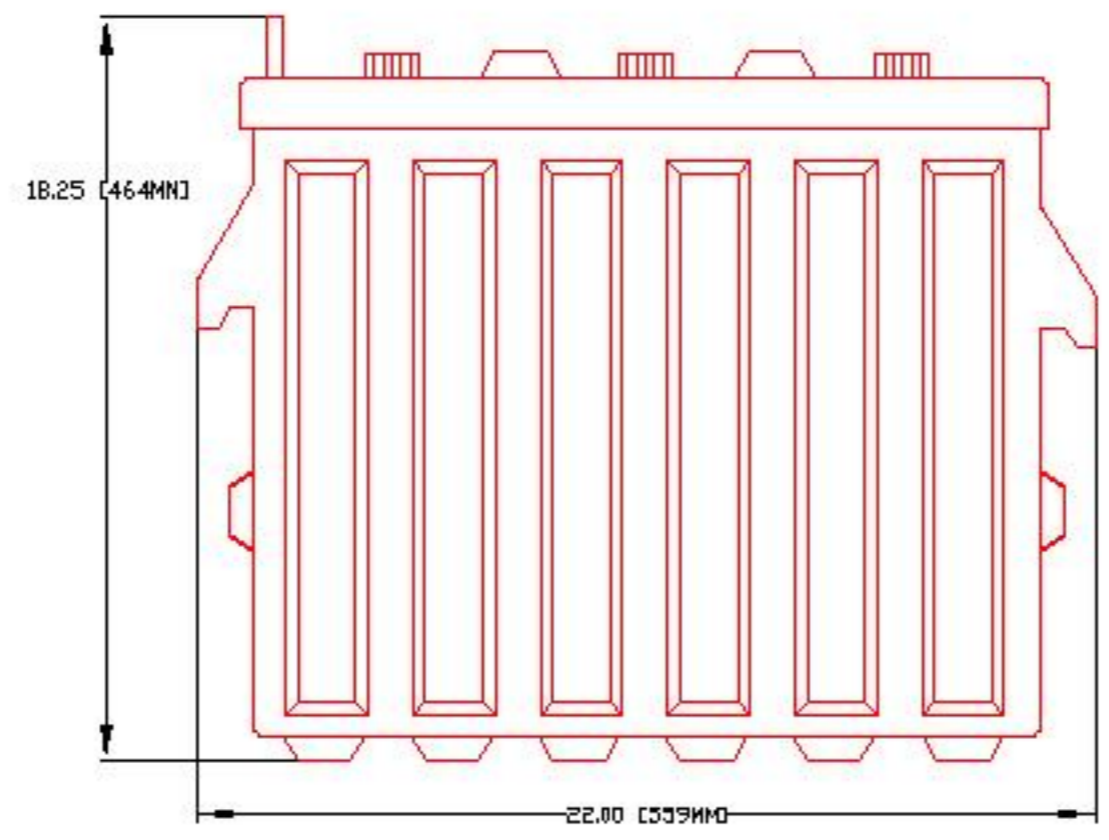
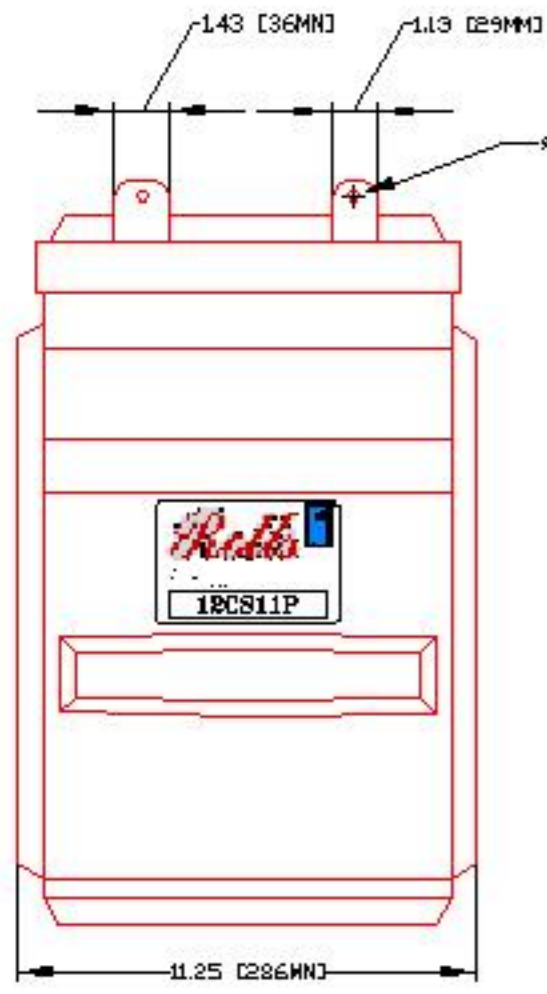
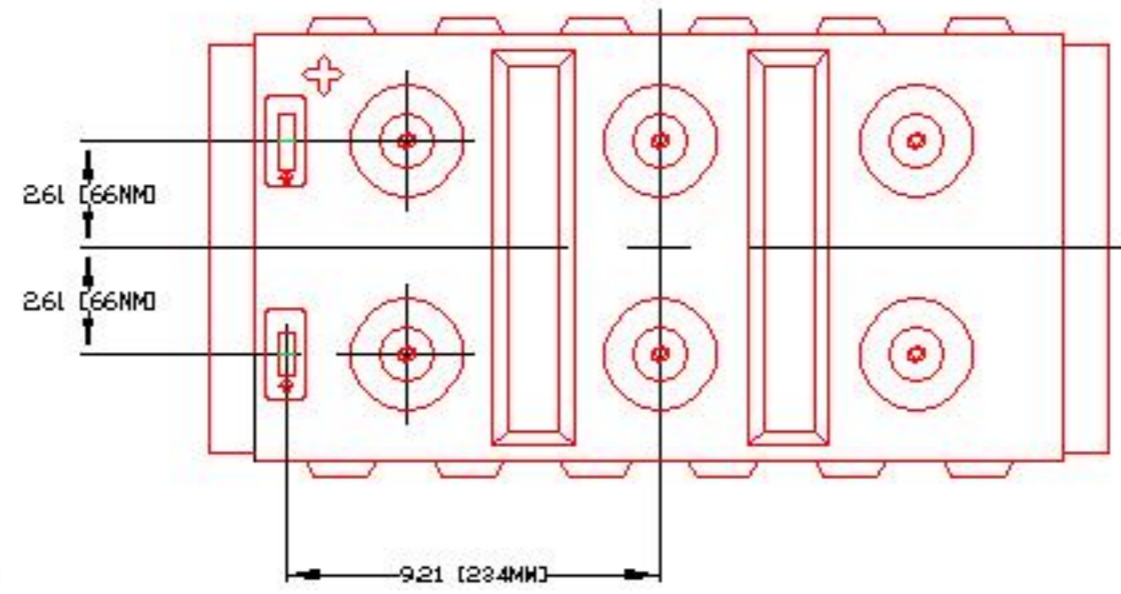
<b>COLD CRANK</b>	CCA	0°F / -17.8°C	845	<b>RESERVE</b>	677
	MCA	32°F / 0°C	1056	<b>MINUTES AT 25A</b>	

**CAPACITY** 20 HR RATE 357

CAP / AH CURRENT / AMPS

CAPACITY AT THE 100 HOUR RATE	1.265 SP. GR.	503	5.03
CAPACITY AT THE 72 HOUR RATE	1.265 SP. GR.	475	6.59
CAPACITY AT THE 50 HOUR RATE	1.265 SP. GR.	439	8.78
CAPACITY AT THE 24 HOUR RATE	1.265 SP. GR.	371	15.5
<b>CAPACITY AT THE 20 HOUR RATE</b>	<b>1.265 SP. GR.</b>	<b>357</b>	<b>17.9</b>
CAPACITY AT THE 15 HOUR RATE	1.265 SP. GR.	332	22.1
CAPACITY AT THE 12 HOUR RATE	1.265 SP. GR.	311	25.9
CAPACITY AT THE 10 HOUR RATE	1.265 SP. GR.	296	29.6
CAPACITY AT THE 8 HOUR RATE	1.265 SP. GR.	278	34.8
CAPACITY AT THE 6 HOUR RATE	1.265 SP. GR.	253	42.2
CAPACITY AT THE 5 HOUR RATE	1.265 SP. GR.	239	48
CAPACITY AT THE 4 HOUR RATE	1.265 SP. GR.	221	55
CAPACITY AT THE 3 HOUR RATE	1.265 SP. GR.	200	67
CAPACITY AT THE 2 HOUR RATE	1.265 SP. GR.	171	86
CAPACITY AT THE 1 HOUR RATE	1.265 SP. GR.	121	121

PART NUMBER: 12-CS-11P  
 WEIGHT WET: 272 LB/ 124 KG  
 WEIGHT DRY: 220 LB/ 100 KG  
 CAPACITY: 357 AH 20 HR  
 503 AH 100 HR  
 VOLTAGE: 12 V  
 OVERALL DIMENSIONS: 22X 11 1/4X 18 1/4"  
 MAX HEIGHT WITH OPTIONAL HYDROCAPS: 18.63"/ 473MM



TITLE: 12CS11P

DESCRIPTION: 12V / 6 CELL 11 PLATE (CS) DEEP CYCLE 500/5000 SERIES

CONTACT INFO:  
 WEB: WWW.ROLLSBATTERY.COM  
 E-MAIL: SALES@ROLLSBATTERY.COM  
 PHONE: 1-800-681-9914

SCALE: 1" = 6" 1" = 4" JPEG NOT TO SCALE  
 8.5" X 11" 11" X 17"

Drawn by: S. WILES Approved By: D. SURRETTE

DATE: 16-Feb-01 REVISION 1.1

DRAWING NO.: DWG 018, BD12CS11P