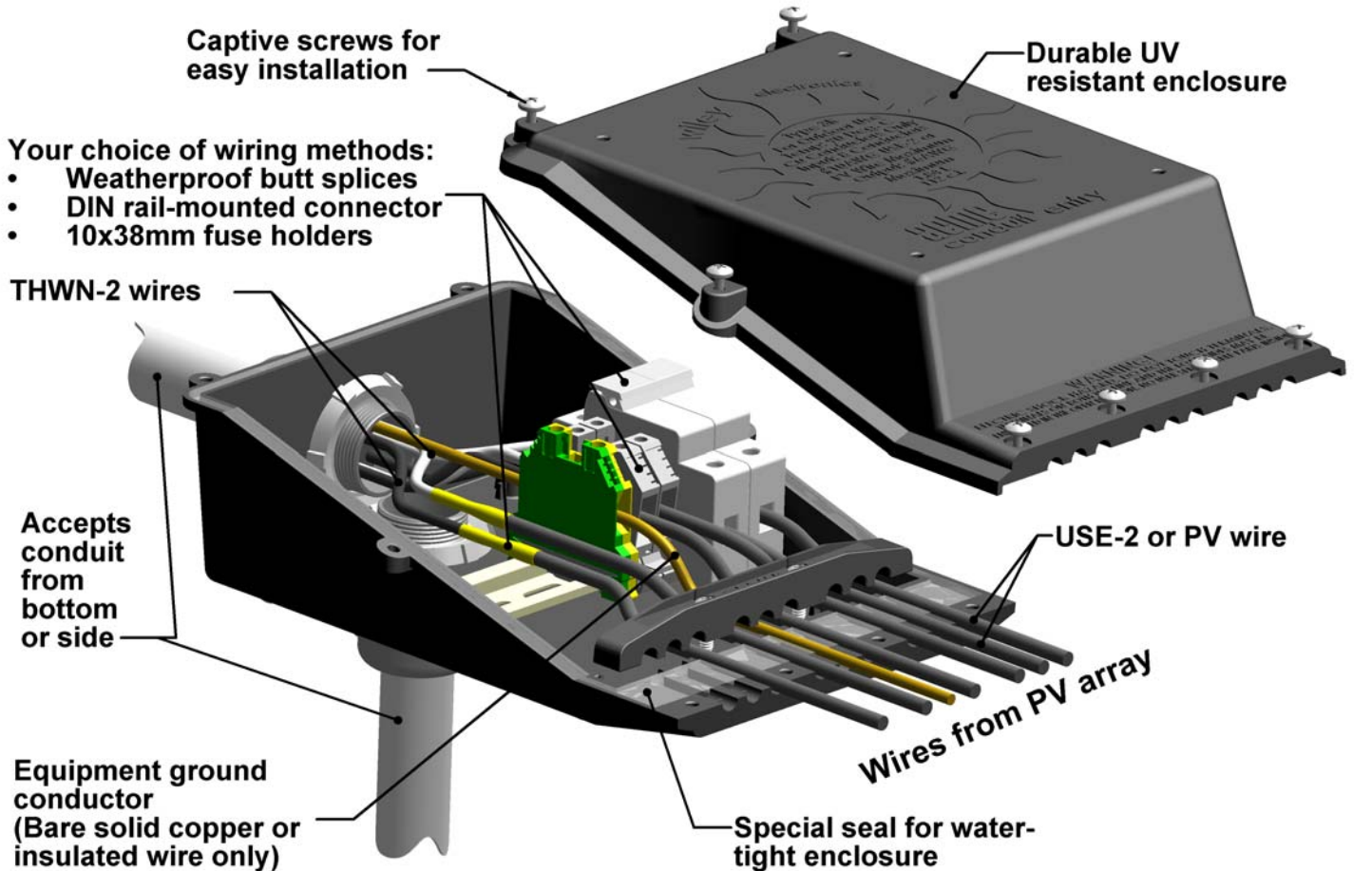


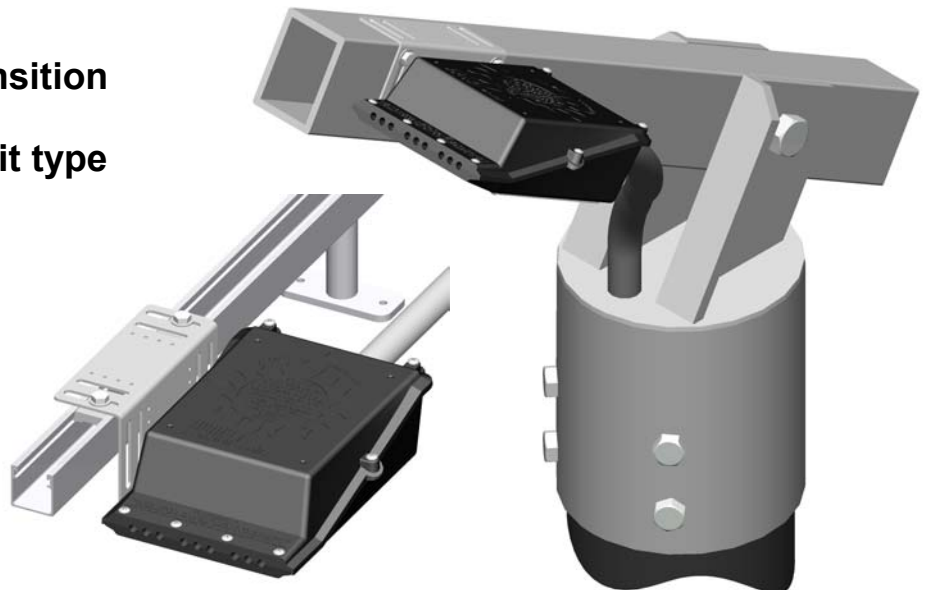
acme CONDUIT ENTRY (ace)

another great innovation by Wiley Electronics

Faster, Cleaner Wiring!



- Simple array to conduit transition
- Compatible with any conduit type
- Protective enclosure for connecting USE-2 or PV wire to THWN-2 wires
- Two-piece enclosure for unobstructed wiring
- NEMA 3R rated for outdoor use



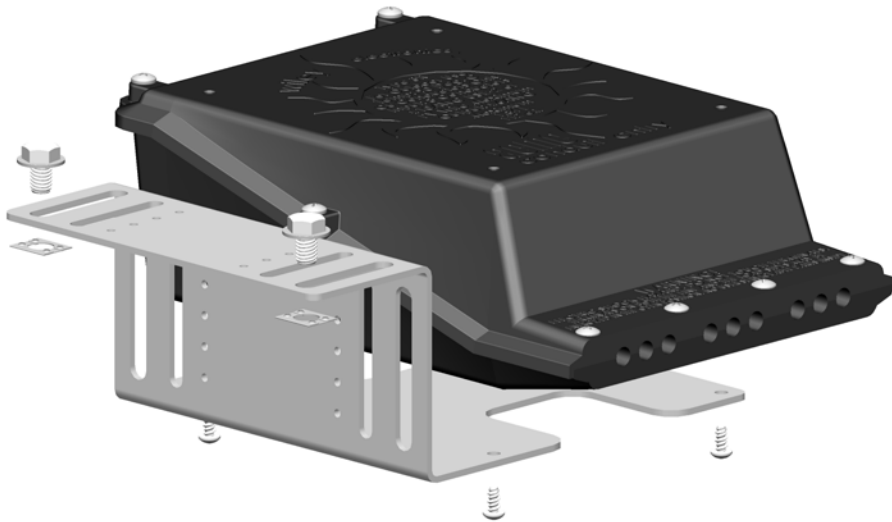
Specifications

Input Wire Diameter Range	5.0 - 6.8mm [0.20 - 0.27in] (10-12AWG USE-2/PV Wire)
Maximum number of input conductor slots	9
Maximum number of PV strings	4
Maximum number of combined strings	4
Equipment Ground Conductor Type	Bare solid or jacketed only
Equipment Ground Conductor Diameter range	4.0 - 6.8mm [0.16 - 0.27in]
Acceptable Conduit sizes	19.05mm, 25.4mm [0.75in, 1.0in]
Internal Volume	1840cm ³ [112in ³]
Internal Height	72.0mm [2.83in]
Knockouts	Side, Bottom

Configurations

ACE Part Number	ACE Configuration	Terminal Block	Terminal Block Internal Bus	Fuse Holder	Fuse Combiner Bus	Grounding Terminal	DIN Rail
ACE-PT	Pass-Through using Butt Splices/Wire Nuts	N/A	N/A	N/A	N/A	N/A	N/A
ACE-1P	1-String Pass-through	2	N/A	N/A	N/A	1	1
ACE-2P	2-String Pass-through	4	N/A	N/A	N/A	1	1
ACE-3P	3-String Pass-through	6	N/A	N/A	N/A	1	1
ACE-4P	4-String Pass-through	8	N/A	N/A	N/A	1	1
ACE-2C	2-Strings Combiner	4	2X 2-Pole	Not required for 2-string combiner	N/A	1	1
ACE-3C	3-Strings Combiner	3	1X 3-Pole	3	1X 3-Pole	1	1
ACE-4C	4-Strings Combiner	4	1X 4-Pole	4	1X 4-Pole	1	1

ACE Mounting Bracket



Made of lightweight, corrosion resistant anodized aluminum. Available in Black or Clear Anodize.

Mounting Bracket Assembly Includes:
 1X ACE Mounting Bracket
 4X Mounting Screws
 2X Bonding Washers

PO Box 361 / 44 Peoples Rd
 Saugerties, NY 12477
 Tel: (845) 633.2065 (845) 247.3852
 Website: www.we-llc.com

~acme pv peripherals~