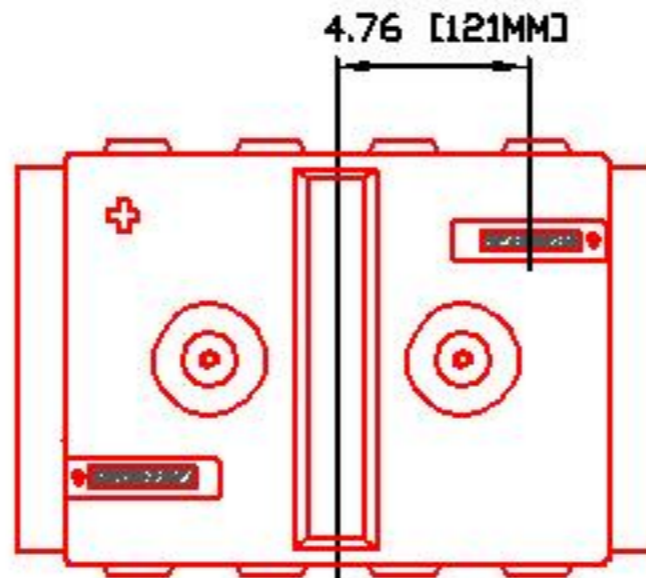
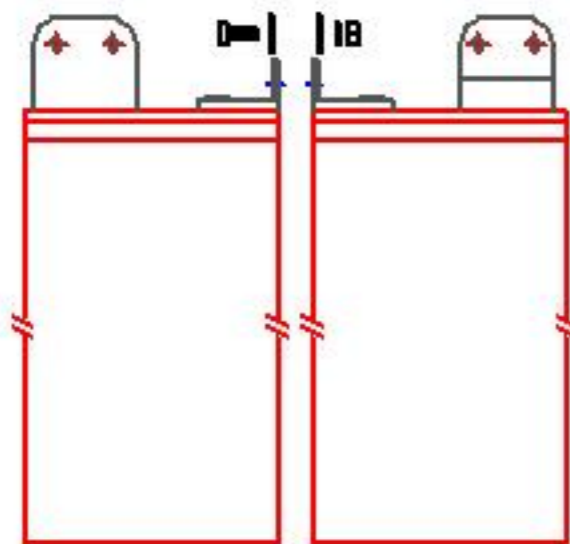




# DEEP CYCLE-SOLAR SERIES 5000

<b>BATTERY TYPE</b>	<b>VOLTS</b>	<b>4</b>	<b>4 KS 25PS</b>
<b>DIMENSIONS</b>			
LENGTH	400 MM	15 3/4	INCHES
WIDTH	270 MM	10 5/8	INCHES
HEIGHT	629 MM	24 3/4	INCHES
<b>WEIGHT DRY</b>	100 KG	220	LBS.
<b>WEIGHT WET</b>	143 KG	315	LBS.
<b>CONTAINER CONSTRUCTION</b>			
INNER CONTAINER	POLYPROPYLENE		
INNER COVER	POLYPROPYLENE - HEAT SEALED TO INNER CONTAINER		
OUTER CONTAINER	HIGH DENSITY POLYETHYLENE		
OUTER COVER	HIGH DENSITY POLYETHYLENE SNAP FIT TO OUTER CONTAINER		
HANDLES	MOLDED		
<b>PLATES PER CELL</b>	25		
<b>ELECTROLYTE RESERVE ABOVE PLATES</b>	95 MM	3.75	INCHES
<b>DESIGN CRITREA</b>	10 YEAR WARRANTY	3300 CYCLES	15 YEAR LIFE
<b>POSITIVE PLATE DIMENSION</b>			
HEIGHT	432 MM	17.0	INCHES
WIDTH	143 MM	5.625	INCHES
THICKNESS	6.99 MM	0.275	INCHES
<b>NEGATIVE PLATE DIMENSION</b>			
HEIGHT	432 MM	17.0	INCHES
WIDTH	143 MM	5.625	INCHES
THICKNESS	4.57 MM	0.180	INCHES
<b>SEPARATOR</b>	SEPARATOR THICKNESS	0.105 INCH	
<b>INSULATION</b>	POSITIVE PLATE DOUBLE WRAPPED WITH SLYVER 0.020 HEAVY GLASS MAT AND ENVELOPED WITH HEAVY DUTY SEPARATOR		
<b>TERMINALS</b>	FLAG WITH STAINLESS STEEL NUTS AND BOLTS		
<b>COLD CRANK</b>	CCA	0°F / -17.8°C	3714
	MCA	32°F / 0°C	4643
	<b>RESERVE</b>		4290
	<b>MINUTES AT 25A</b>		
<b>CAPACITY</b>	20 HR RATE	1350	
		<b>CAP / AH</b>	<b>CURRENT / AMPS</b>
CAPACITY AT THE 100 HOUR RATE	1.265 SP. GR.	1904	19.04
CAPACITY AT THE 72 HOUR RATE	1.265 SP. GR.	1796	24.94
CAPACITY AT THE 50 HOUR RATE	1.265 SP. GR.	1661	33.21
CAPACITY AT THE 24 HOUR RATE	1.265 SP. GR.	1404	58.5
<b>CAPACITY AT THE 20 HOUR RATE</b>	<b>1.265 SP. GR.</b>	<b>1350</b>	<b>67.5</b>
CAPACITY AT THE 15 HOUR RATE	1.265 SP. GR.	1256	83.7
CAPACITY AT THE 12 HOUR RATE	1.265 SP. GR.	1175	97.9
CAPACITY AT THE 10 HOUR RATE	1.265 SP. GR.	1121	112.1
CAPACITY AT THE 8 HOUR RATE	1.265 SP. GR.	1053	131.6
CAPACITY AT THE 6 HOUR RATE	1.265 SP. GR.	959	159.8
CAPACITY AT THE 5 HOUR RATE	1.265 SP. GR.	905	181
CAPACITY AT THE 4 HOUR RATE	1.265 SP. GR.	837	209
CAPACITY AT THE 3 HOUR RATE	1.265 SP. GR.	756	252
CAPACITY AT THE 2 HOUR RATE	1.265 SP. GR.	648	324
CAPACITY AT THE 1 HOUR RATE	1.265 SP. GR.	459	459

**BOLT-ON CONNECTOR 2 X 316 SS NUT, WASHERS, LOCK WASHER AND BOLT**



**PART NUMBER** 4-KS-25P

**WEIGHT VET** 315 LB / 143 KG

**WEIGHT DRY** 220 LB / 100 KG

**CAPACITY** 1,350 AH 20 HR  
1,900 AH 100 HR

**VOLTAGE** 4 V

**OVERALL DIMENSIONS** 15.75X10 5/8X24.75"

**MAX HEIGHT WITH OPTIONAL HYDROCAPS** 25.13"/638MM

2.90 [74MM]

0.70 [18MM]

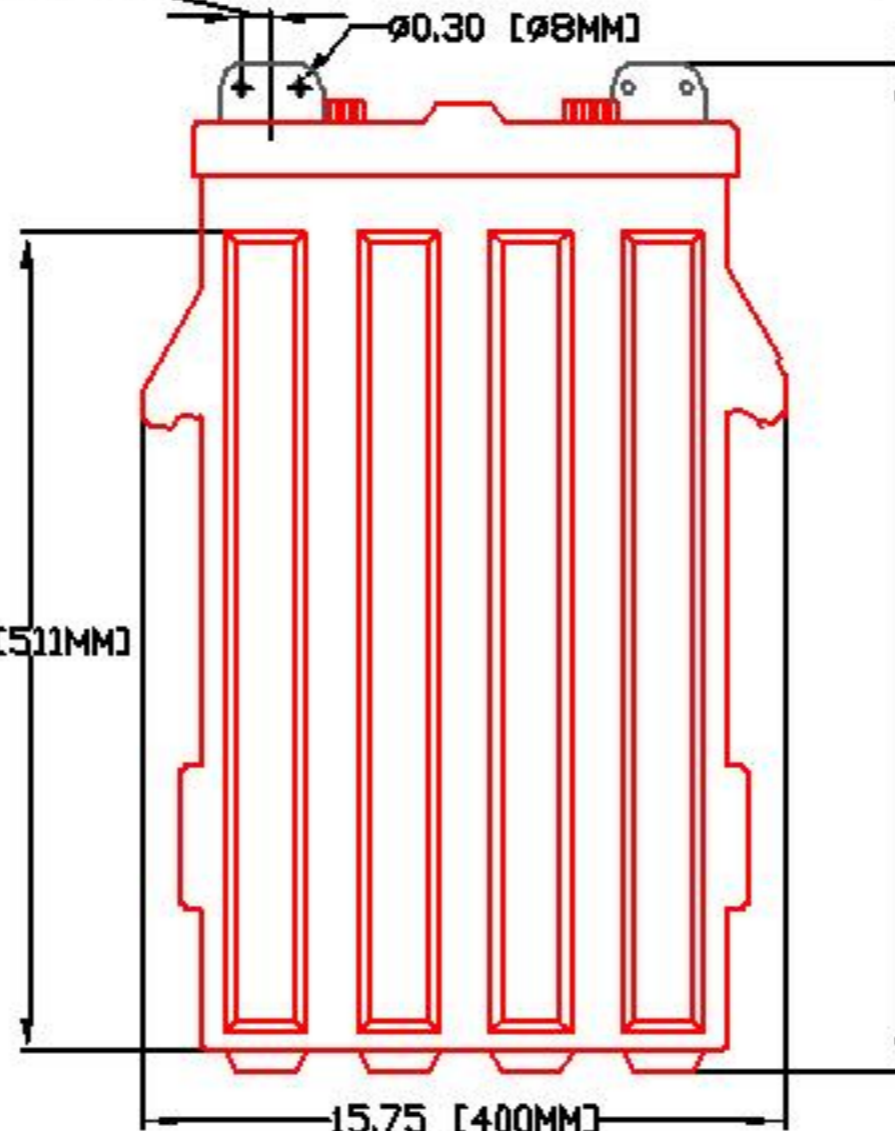
Ø0.30 [Ø8MM]

24.74 [628MM]



20.13 [511MM]

10.63 [270MM]



15.75 [400MM]

<b>Surrrette</b>	
<small>BATTERY COMPANY LIMITED 8801 HWY 111, OWASCOO, CANADA PRODUCT OF CANADA</small>	
<b>TITLE</b>	4KS25P
<b>DESCRIPTION</b>	4V / 8 CELL IS PLATE GEL DEEP CYCLE SW/000 SERIES
<b>CONTACT INFO</b>	<p><b>WEB</b> WWW.SURRETTE.COM  <b>E-MAIL</b> SALES@SURRETTE.COM  <b>PHONE</b> 1-800-681-9914</p>
<b>SCALE</b>	<p>1" = 8" 1" = 4" JES          85" X 24" 24" X 12" NOT TO SCALE</p>
<b>Drawn by</b>	<b>Approved By</b>
S. VILES	D. SURRETTE
<b>DATE</b> 14-JUN-00	<b>REVISION</b> 2.1
<b>DRAWING NO:</b> Dwg 003, 304KS25P	