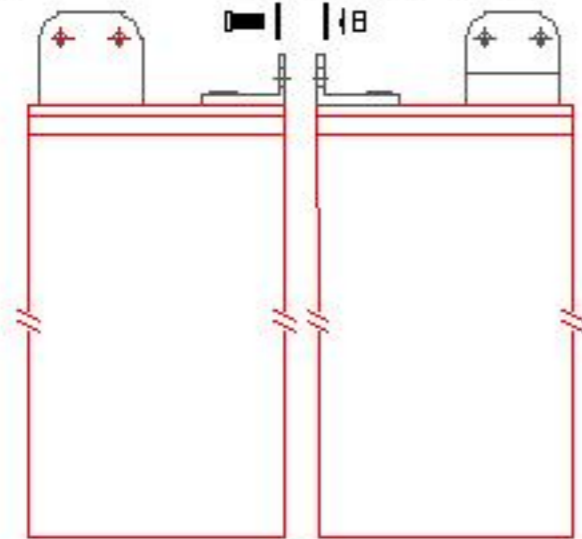




# DEEP CYCLE-SOLAR SERIES 5000

|                                     |   |               |                  |                       |
|-------------------------------------|---|---------------|------------------|-----------------------|
| <b>BATTERY TYPE</b>                 | <b>VOLTS</b>  | <b>4</b>      | <b>4 KS 21PS</b> |                       |
| <b>DIMENSIONS</b>                   |   |               |                  |                       |
| LENGTH                              | 400 MM  | 15 3/4        | INCHES           |                       |
| WIDTH                               | 238 MM  | 9 3/8         | INCHES           |                       |
| HEIGHT                              | 629 MM  | 24 3/4        | INCHES           |                       |
| <b>WEIGHT DRY</b>                   | 98 KG   | 216           | LBS.             |                       |
| <b>WEIGHT WET</b>                   | 121 KG  | 267           | LBS.             |                       |
| <b>CONTAINER CONSTRUCTION</b>       |   |               |                  |                       |
| INNER CONTAINER                     | POLYPROPYLENE   |               |                  |                       |
| INNER COVER                         | POLYPROPYLENE - HEAT SEALED TO INNER CONTAINER  |               |                  |                       |
| OUTER CONTAINER                     | HIGH DENSITY POLYETHYLENE   |               |                  |                       |
| OUTER COVER                         | HIGH DENSITY POLYETHYLENE SNAP FIT TO OUTER CONTAINER   |               |                  |                       |
| HANDLES                             | MOLDED  |               |                  |                       |
| <b>PLATES PER CELL</b>              | 21  |               |                  |                       |
| <b>ELECTROLYTE RESERVE</b>          | ABOVE PLATES  | 95 MM         | 3.75             | INCHES                |
| <b>DESIGN CRITREA</b>               | 10 YEAR WARRANTY  | 3300          | CYCLES           | 15 YEAR LIFE          |
| <b>POSITIVE PLATE DIMENSION</b>     |   |               |                  |                       |
| HEIGHT                              | 432 MM  | 17.0          | INCHES           |                       |
| WIDTH                               | 143 MM  | 5.625         | INCHES           |                       |
| THICKNESS                           | 6.99 MM   | 0.275         | INCHES           |                       |
| <b>NEGATIVE PLATE DIMENSION</b>     |   |               |                  |                       |
| HEIGHT                              | 432 MM  | 17.0          | INCHES           |                       |
| WIDTH                               | 143 MM  | 5.625         | INCHES           |                       |
| THICKNESS                           | 4.57 MM   | 0.180         | INCHES           |                       |
| <b>SEPARATOR</b>                    | SEPARATOR THICKNESS   | 0.105 INCH    |                  |                       |
| <b>INSULATION</b>                   | POSITIVE PLATE DOUBLE WRAPPED WITH SLYVER 0.020 HEAVY GLASS MAT AND ENVELOPED WITH HEAVY DUTY SEPARATOR |               |                  |                       |
| <b>TERMINALS</b>                    | FLAG WITH STAINLESS STEEL NUTS AND BOLTS  |               |                  |                       |
| <b>COLD CRANK</b>                   | CCA   | 0°F / -17.8°C | 3095             | <b>RESERVE</b>        |
|                                     | MCA   | 32°F / 0°C    | 3869             | <b>MINUTES AT 25A</b> |
|                                     |   |               |                  | 3575                  |
| <b>CAPACITY</b>                     | 20 HR RATE  | 1104          | <b>CAP / AH</b>  | <b>CURRENT / AMPS</b> |
| CAPACITY AT THE 100 HOUR RATE       | 1.265 SP. GR.   | 1557          | 15.57            |                       |
| CAPACITY AT THE 72 HOUR RATE        | 1.265 SP. GR.   | 1468          | 20.39            |                       |
| CAPACITY AT THE 50 HOUR RATE        | 1.265 SP. GR.   | 1358          | 27.16            |                       |
| CAPACITY AT THE 24 HOUR RATE        | 1.265 SP. GR.   | 1148          | 47.8             |                       |
| <b>CAPACITY AT THE 20 HOUR RATE</b> | <b>1.265 SP. GR.</b>  | <b>1104</b>   | <b>55.2</b>      |                       |
| CAPACITY AT THE 15 HOUR RATE        | 1.265 SP. GR.   | 1027          | 68.4             |                       |
| CAPACITY AT THE 12 HOUR RATE        | 1.265 SP. GR.   | 960           | 80.0             |                       |
| CAPACITY AT THE 10 HOUR RATE        | 1.265 SP. GR.   | 916           | 91.6             |                       |
| CAPACITY AT THE 8 HOUR RATE         | 1.265 SP. GR.   | 861           | 107.6            |                       |
| CAPACITY AT THE 6 HOUR RATE         | 1.265 SP. GR.   | 784           | 130.6            |                       |
| CAPACITY AT THE 5 HOUR RATE         | 1.265 SP. GR.   | 740           | 148              |                       |
| CAPACITY AT THE 4 HOUR RATE         | 1.265 SP. GR.   | 684           | 171              |                       |
| CAPACITY AT THE 3 HOUR RATE         | 1.265 SP. GR.   | 618           | 206              |                       |
| CAPACITY AT THE 2 HOUR RATE         | 1.265 SP. GR.   | 530           | 265              |                       |
| CAPACITY AT THE 1 HOUR RATE         | 1.265 SP. GR.   | 375           | 375              |                       |

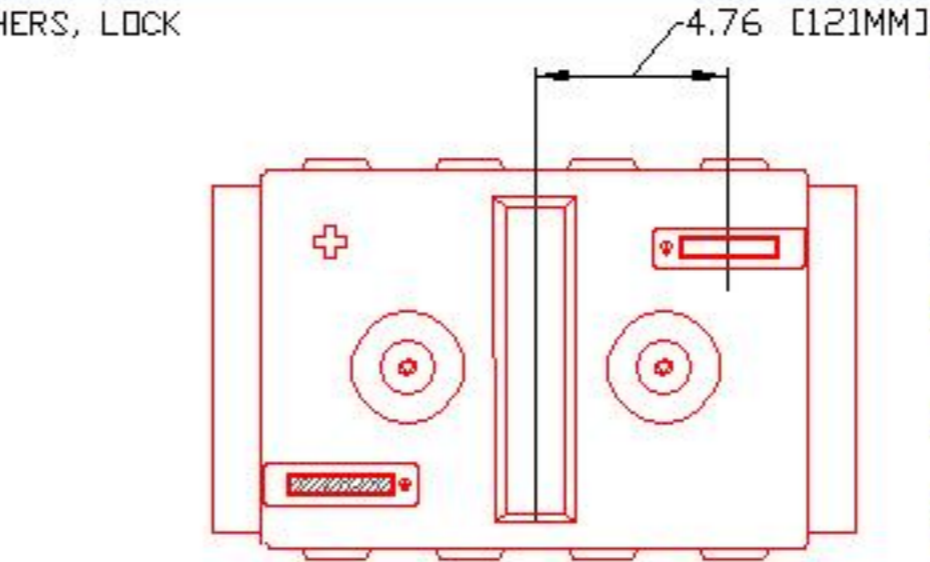
BOLT-ON CONNECTOR 2 X 316 SS NUT, WASHERS, LOCK WASHER AND BOLT



2.90 [74MM]



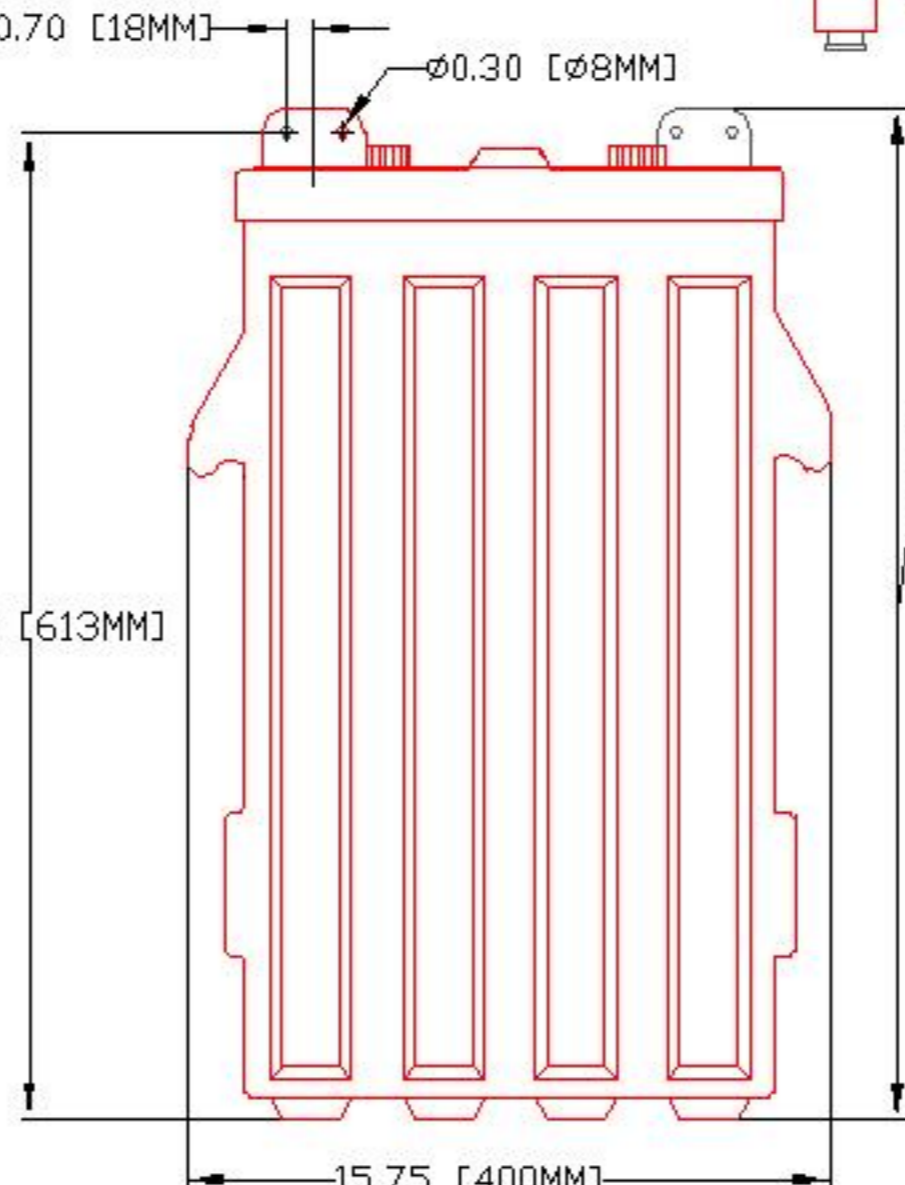
9.38 [238MM]



4.76 [121MM]

0.70 [18MM]

Ø0.30 [Ø8MM]



24.15 [613MM]

15.75 [400MM]

PART NUMBER:

4-KS-21P

WEIGHT WET:

267 LB / 121 KG

WEIGHT DRY:

186 LB / 84 KG

CAPACITY:

1,104 AH 20 HR  
1,557 AH 100 HR

VOLTAGE:

4 V

OVERALL DIMENSIONS:

15.75X9 3/8X24.75"

MAX HEIGHT WITH OPTIONAL HYDROCAPS

25.13" / 638 MM



24.75 [629MM]



BATTERY COMPANY LIMITED  
SPRING BRIDGE ROAD SCOTTSBORO  
PRODUCT OF CANADA

TITLE:

4KS21P

DESCRIPTION:

4V / 2 CELL 21 PLATE (KS) DEEP CYCLE  
500/5000 SERIES

CONTACT INFO:

WEB: WWW.SURRETTE.COM  
E-MAIL: SALES@SURRETTE.COM  
PHONE: 1-800-681-9914

SCALE: 1" = 6" 1" = 4" JFEB  
8.5" X 11" 11" X 17" NOT TO SCALE

Drawn by:

S. WILES

Approved By:

D. SURRETTE

DATE:

14-JUN-00

REVISION 2.1

DRAWING NO.:

DWG 002, BD4KS21P