



# SHURflo

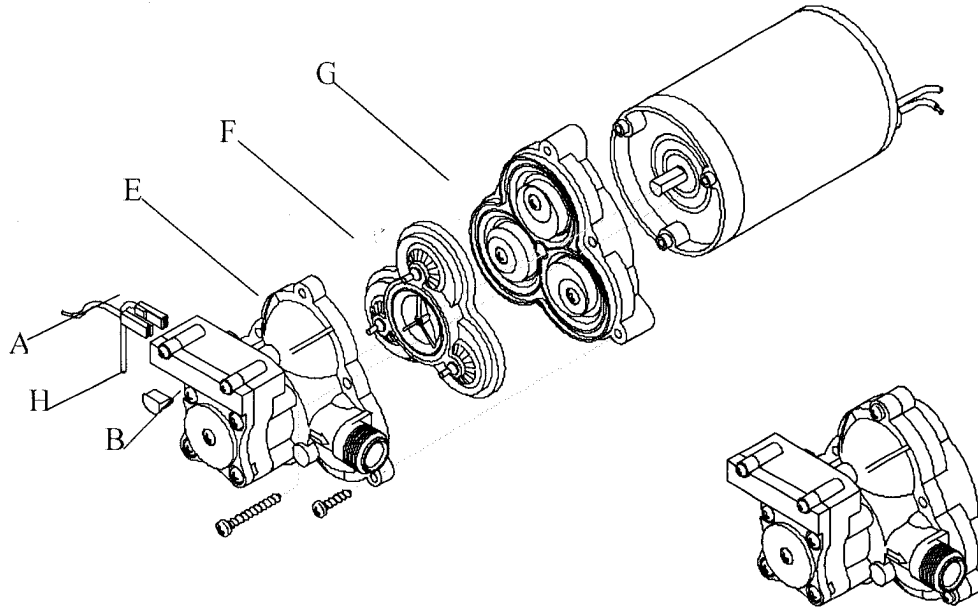
Pentair Water

## DIAPHRAGM / DRIVE ASSEMBLY KIT MODEL 2088 / 2090

### EARLIER VERSIONS:

This kit fits all earlier versions of the model 2088. Do not be alarmed if this kit appears physically different than your existing upper housing/switch assembly.

NOTE: Before starting work, make certain that power to pump is off. Release liquid pressure on the outlet line of pump before performing maintenance. You may find it easier to remove the pump and work on a bench.



### DISASSEMBLY:

1. Remove the three upper housing screws (C). Note: Do not remove the pressure switch screws.
2. Remove the three long screws (D). These screws hold the pump assembly to the motor.
3. Remove the upper housing (E) and valve assembly (F).
4. Remove the old diaphragm/drive assembly (G) from the motor.

### ASSEMBLY:

1. Place the valve assembly (F) on top of the new diaphragm assembly (G). Make sure the valve assembly seats properly on diaphragm (align groove in diaphragm with groove in valve housing).
2. Place the upper housing (E) on top of the valve assembly (F).
3. Tighten the three outer screws (C).
4. Align the "D" groove of the motor shaft with the "D" groove on the eccentric (wobbler) inside the lower housing (G). Check to be sure the drain holes, if applicable, are on the side with the motor mounting plate. Push pump head until it seats on the motor face.
5. Put the three long screws (D) in place and screw down until each touches, then tighten each screw securely.



\*ISO Registered Facility

*SHURflo reserves the right to update specifications, prices, or make substitutions.*

SHURflo, LLC\*  
 5900A Katella Ave.  
 Cypress, Ca. 90630  
 Phone: 800 854 3218  
 Fax: 562 795 7554  
 Shipping: 5900C Katella Ave.  
 Cypress, Ca. 90630

SHURflo East  
 52748 Park Six Court  
 Elkhart, IN 46514-5427  
 Phone: 800 854 3218  
 Fax: 574 264 2169  
 Http://www.shurflo.com  
 © 2001

SHURflo Ltd.\*  
 Unit 5, Sterling Park  
 Gatwick Road, Crawley  
 West Sussex, RH10 9QT  
 United Kingdom  
 Phone: 0044 (0) 1293 424 000  
 Fax: 0044 (0) 1293 421 880



# SHURflo

Pentair Water