



SolarEdge Electricity Meter

for North America

SE-MTR240-2-200-S1 / SE-MTR240-2-400-S1

ACCESSORIES



SolarEdge Electricity Meter

- Simple installation and connectivity
- NEMA Type 3R enclosure for outdoor protection
- Provides high accuracy meter readings
- Communicates over RS485 to provide monitoring data
- Suitable for export limitation, consumption monitoring and StorEdge™ applications



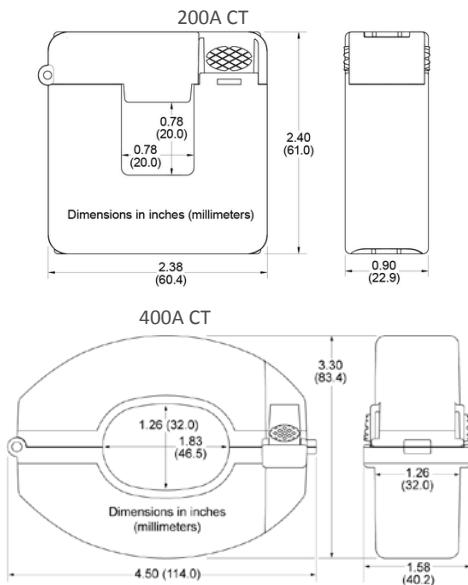
SolarEdge Electricity Meter for North America

SE-MTR240-2-200-S1 / SE-MTR240-2-400-S1

	SE-MTR240-2-200-S1	SE-MTR240-2-400-S1	UNITS
METER ELECTRICAL SERVICE			
Meter Operating Voltage Range - Line to Line	211 - 264		Vac
AC Frequency	60		Hz
Grids Supported	Split Phase: L1 / L2 / N / PE		
Power Consumption (typ.)	1.2		W
COMMUNICATION			
Meter Communication Interfaces	RS485		
Response Time	≤1 sec		
Device ID (Modbus)	2		
METER ACCURACY (@77°F / 25°C, PF:0.7-1)			
1% - 100% of Rated CT Current	±1		%
CURRENT TRANSFORMERS			
Number of Supplied Current Transformers	2		
Rated RMS current*	200 A	400 A	
Dimensions (Internal ; External)	0.8 x 0.8 ; 2.4 x 2.4 / 20 x 20 ; 61 x 61	1.3 x 1.9 ; 3.3 x 4.5 / 32 x 46.5 ; 83.4 x 114	in / mm
STANDARD COMPLIANCE**			
Safety	UL1741		
INSTALLATION SPECIFICATIONS			
Dimensions (HxWxD)	8.13 x 12.44 x 4.6 / 206.6 x 316 x 117		in / mm
Weight	3.9 / 1.8		lb / kg
Operating Temperature Range	-22 to +131 / -30 to +55		°F / °C
Protection Rating	NEMA Type 3R		
Conduit Entry Diameter	0.75 / 1		in / mm
Mounting Type	Wall mount		

* For other ratings contact SolarEdge
 ** Pending

Current Transformer Dimensions



Connecting the Electricity Meter

