



Small Ground/Roof Mount With Channels

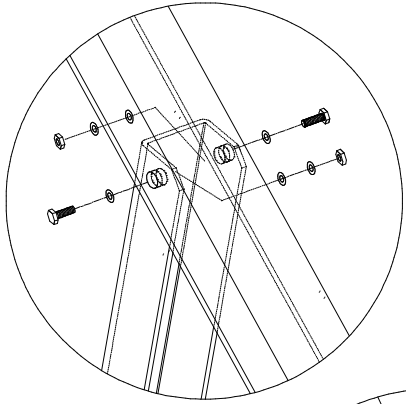


Figure 1

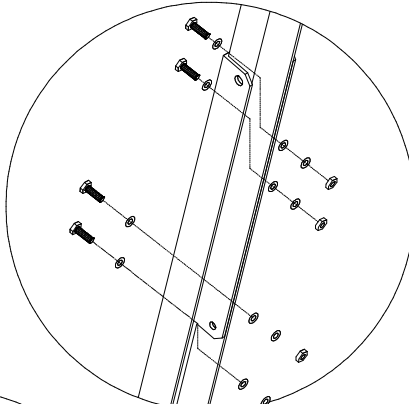


Figure 2

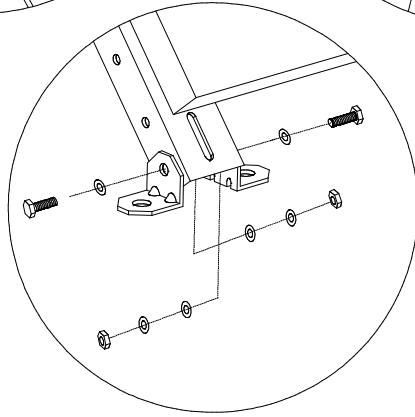
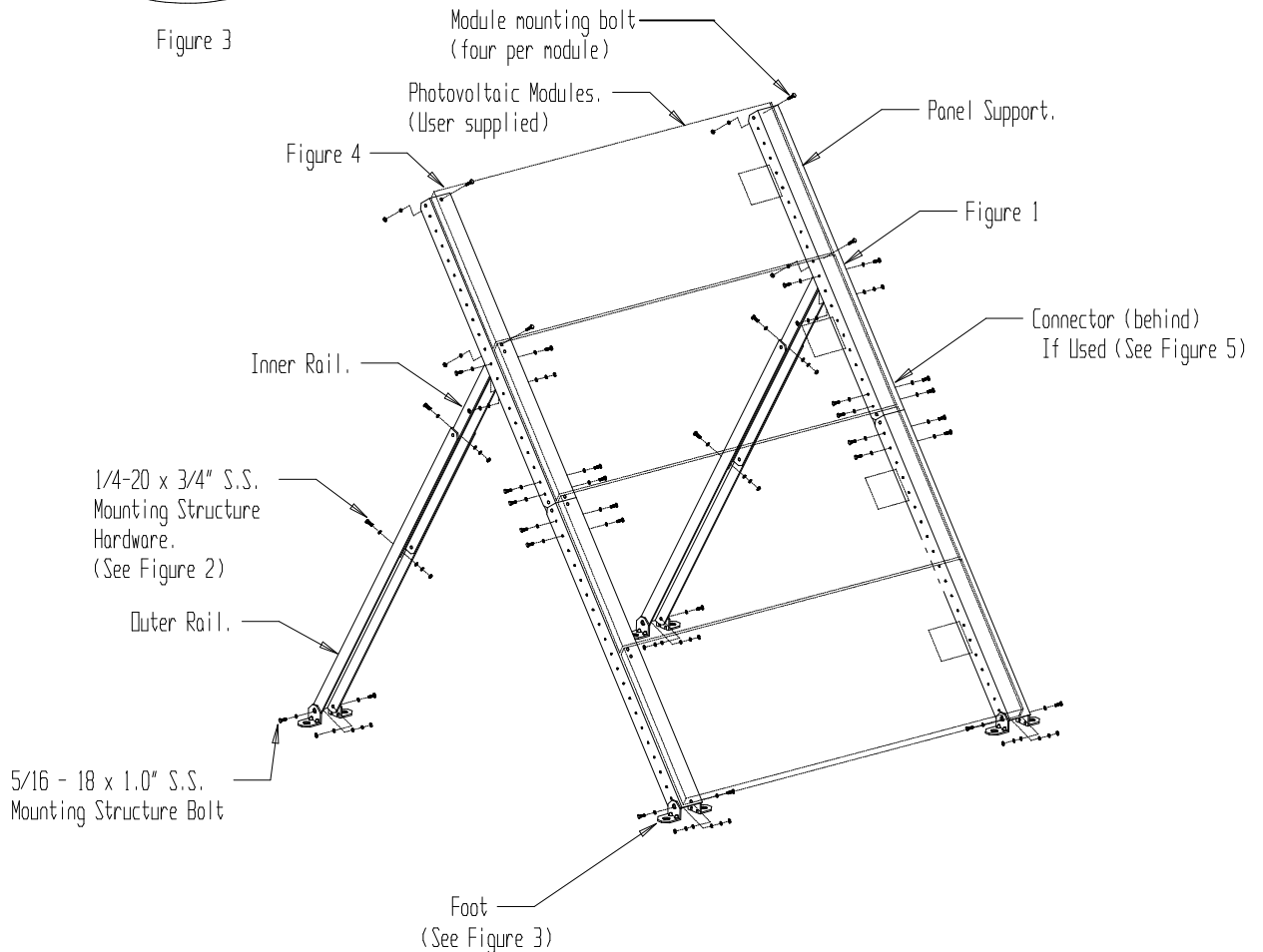


Figure 3

ITEM
Foot
Panel Support
Connector
Outer Rail
Inner Rail
1/4-20 x 3/4" SS Bolt
1/4-20 SS Flat Washer
1/4-20 SS Lock Washer
1/4-20 SS Nut
5/16-18 x 1" SS Bolt
5/16-18 SS Flat Washer
5/16-18 SS Lock Washer
5/16-18 SS Nut



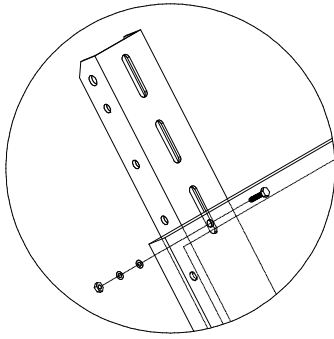


Figure 4

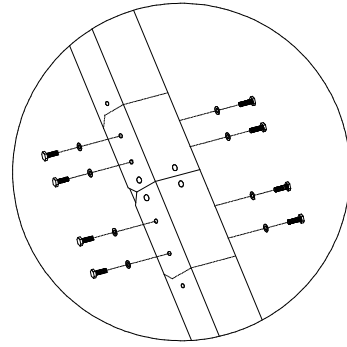


Figure 5

Installation Steps:

Read all of the instructions prior to beginning assembly.

1. Lay the modules face down on a protected surface in appropriate orientation.
2. Lay the Panel Supports on the back of the modules as shown and attach using the hardware supplied in the “Standard Module Kit(s)”. DO NOT TIGHTEN until the modules are aligned properly and Panel Supports are parallel.
3. Assemble Inner and Outer Rails using $\frac{1}{4}$ inch supplied hardware and attach Rails to the back of the Panel Supports.
4. Attach Feet using $\frac{5}{16}$ -inch hardware and set on the user supplied foundation bolts and tighten.
5. Adjust tilt angle to module manufacturers recommendation. Seasonal tilt adjustment is achieved by adjusting the Inner/Outer Rail Assembly’s overall length.
6. Tighten hardware to following torque values:
 - a. $\frac{1}{4}$ -inch hardware to 7 ft·lbs
 - b. $\frac{5}{16}$ -inch hardware to 8.3 ft·lbs