



**samlex**power®

**OWNER'S  
MANUAL**

Please read this  
manual BEFORE  
operating your  
battery charger

**Switch Mode,  
Automatic, Lead  
Acid Battery  
Charger**

MODELS:  
SEC-1215UL  
SEC-1230UL  
SEC-2415UL

# OWNER'S MANUAL: Battery Chargers | Index

## SECTION 1

Safety Precautions .....	3
--------------------------	---

## SECTION 2

Layout .....	4
--------------	---

## SECTION 3

Description, Features & Cooling .....	7
---------------------------------------	---

## SECTION 4

Charging Stages & Protections .....	8
-------------------------------------	---

## SECTION 5

Installation & Charger Operation .....	10
--	----

## SECTION 6

Troubleshooting .....	15
-----------------------	----

## SECTION 7

Internal Fuse Rating & Specifications .....	17
---	----

## SECTION 8

Warranty .....	18
----------------	----

### Disclaimer of Liability

UNLESS SPECIFICALLY AGREED TO IN WRITING, SAMLEX AMERICA INC.:

1. MAKES NO WARRANTY AS TO THE ACCURACY, SUFFICIENCY OR SUITABILITY OF ANY TECHNICAL OR OTHER INFORMATION PROVIDED IN ITS MANUALS OR OTHER DOCUMENTATION.
2. ASSUMES NO RESPONSIBILITY OR LIABILITY FOR LOSSES, DAMAGES, COSTS OR EXPENSES, WHETHER SPECIAL, DIRECT, INDIRECT, CONSEQUENTIAL OR INCIDENTAL, WHICH MIGHT ARISE OUT OF THE USE OF SUCH INFORMATION. THE USE OF ANY SUCH INFORMATION WILL BE ENTIRELY AT THE USERS RISK.

Samlex America reserves the right to revise this document and to periodically make changes to the content hereof without obligation or organization of such revisions or changes.

### Copyright Notice/Notice of Copyright

Copyright © 2016 by Samlex America Inc. All rights reserved. Permission to copy, distribute and/or modify this document is prohibited without express written permission by Samlex America Inc.

## SECTION 1 | Safety Precautions

**Hazardous conditions may result if the charger is not installed or operated correctly. Please read the following instructions to prevent personal injury or damage to the charger:**

### Battery Related

- To reduce the risk of battery explosion, follow these instructions and those marked on the battery
- Never smoke or allow an open spark or flame in the vicinity of the battery or engine
- Charge only Lead Acid type of batteries (Flooded / Absorbed Glass Mat (AGM) / Gel Cell). Do not charge other type of batteries like Nickel Cadmium (NiCad)
- Nickel-Metal Hydride (Ni-MH), Dry-Cell etc. Other types of batteries might burst causing personal injury
- Never charge a frozen battery
- Working in the vicinity of Lead Acid batteries is dangerous. Batteries generate explosive gases during normal operation. Take necessary safety precautions when installing the charger near a battery or in a battery compartment (Follow safety instructions given by the battery manufacturer)
- Never place the charger directly above or below the battery being charged; gases or fluids from the battery will corrode and damage the charger. Locate the charger as far away from the battery as DC cables permit. Do not install in the same compartment as batteries
- Install in a well ventilated, cool, dry place.
- The charger must not be operated in a damp or wet environment. When mounting in a boat, make sure it is not subjected to bilge water splash
- Do not block the ventilation openings / openings for the cooling fan. There should be at least 6 inches clearance all around the unit
- Installation and wiring must comply with the local and the national electrical codes.
- It is recommended that installation and wiring may be done by a certified electrician
- Wrong installation on a boat may lead to corrosion of the boat. It is recommended that installation on the boat must be carried out by a boat electrician
- Disconnect the AC input power to the charger before connecting / disconnecting the batteries or other DC loads or when working on the charger
- Disconnect the AC input power before changing setting of the DIP Switch
- The chassis of the charger is connected to the earth ground pin of the power cord plug. Ensure that the earth ground pin of AC receptacle feeding the charger is connected to earth ground
- Do not use an adapter. If a grounding type of receptacle is not available, do not use this charger until the proper outlet is installed by a qualified electrician.
- Do not operate the charger if the power cord is damaged

### Charger Related

- Do not operate the charger in a closed-in area or restrict ventilation in any way.

## SECTION 2 | Layout

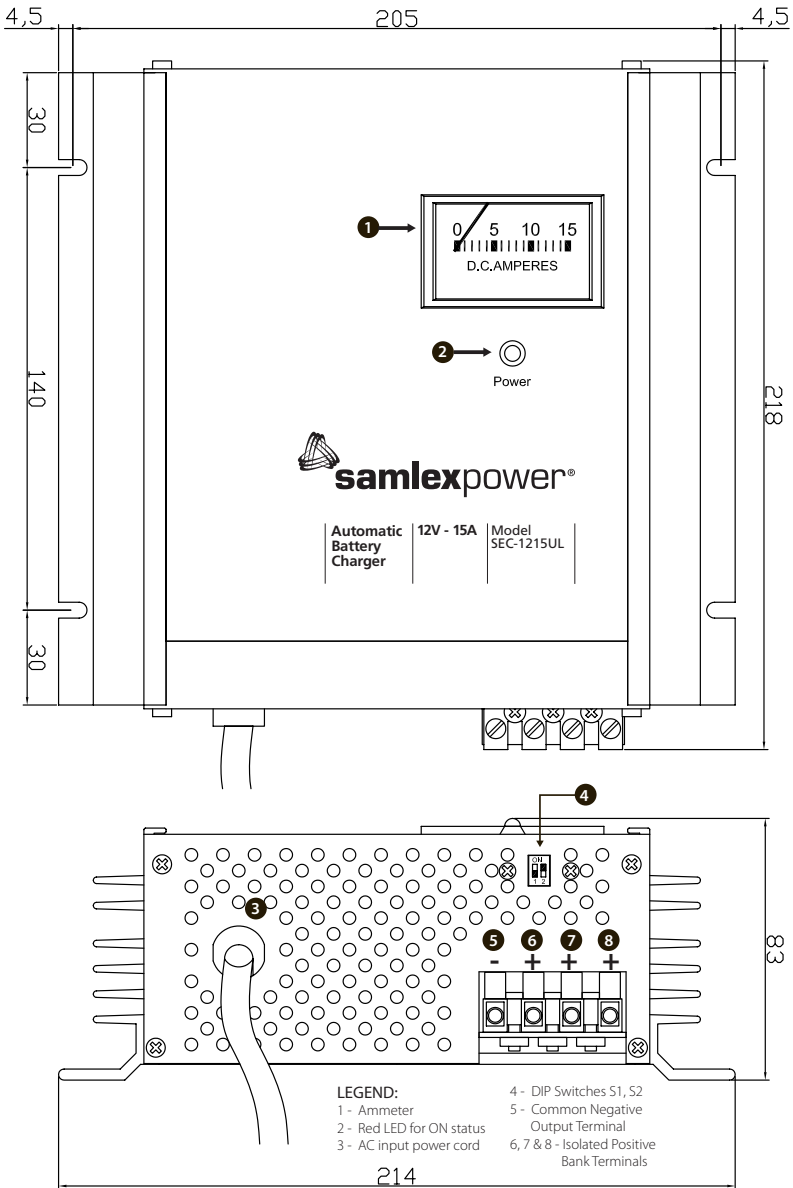


Fig. 2.1: Layout - SEC-1215UL

# SECTION 2 | Layout

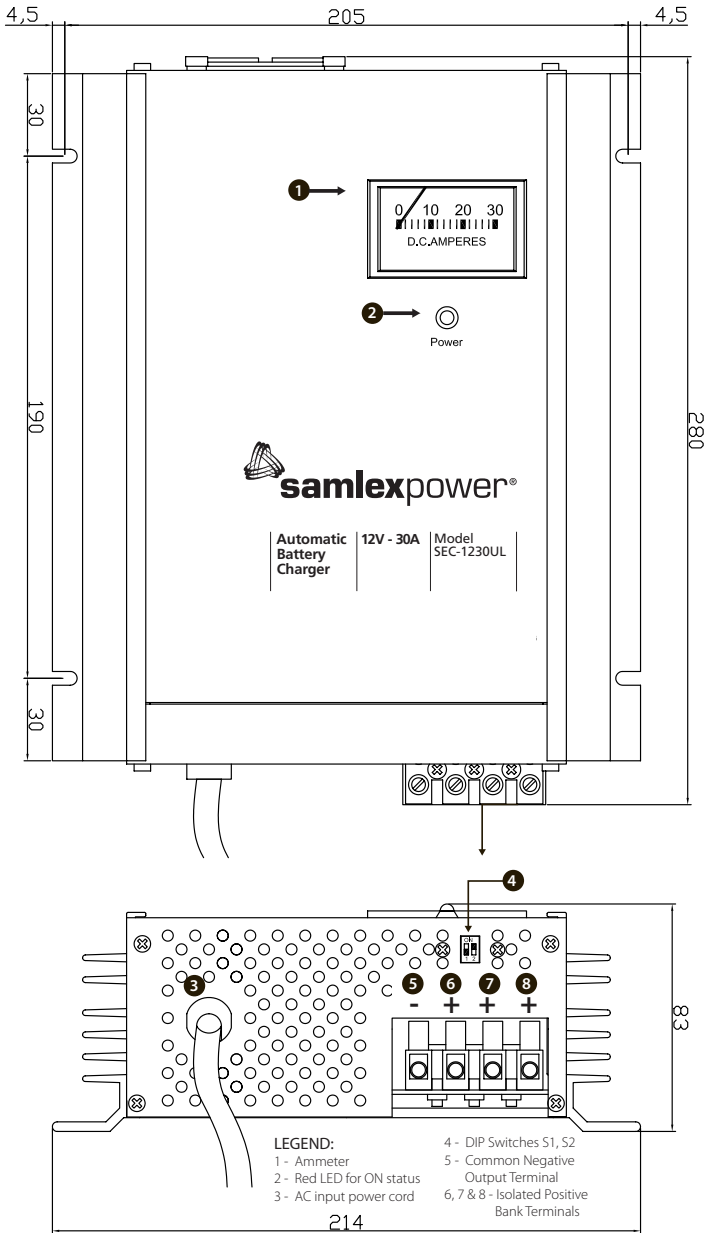


Fig. 2.2: Layout - SEC-1230UL

# SECTION 2 | Layout

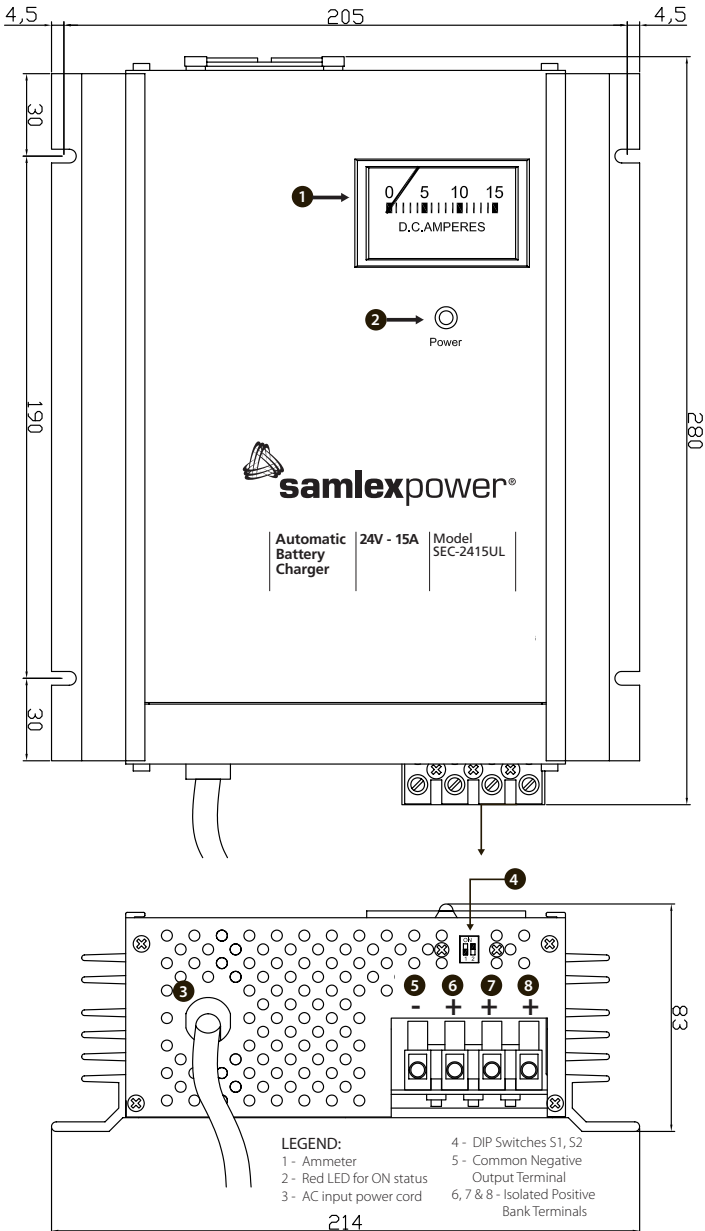


Fig. 2.3: Layout - SEC-2415UL

## SECTION 3 | Description, Features & Cooling

### Description

These chargers are used to charge Lead Acid Batteries (Flooded, AGM or Gel Cell). SEC-1215UL (Maximum charging current 15A) and SEC-1230UL (Maximum charging current 30A) are used to charge 12 V batteries. SEC-2415UL (Maximum charging current 15A) is used to charge 24 V batteries. These chargers can be powered from AC power source of either 120 V, 60 Hz (Pre-set) or 230 V, 50 Hz (By changing jumper position inside the unit - See page 10 for instructions).

### Features

- State of the art switched mode technology is used for very high efficiency, lightweight and quiet operation.
- User selectable AC input voltage - 120 V , 60 Hz (Pre-set) or 230 V , 50 Hz (By changing jumper position inside the unit (See page 10 for instructions).
- User selectable 2 or 3 stage charging algorithm ensures rapid and safe charging of all types of lead acid batteries - Flooded, AGM, Gel Cell or batteries with external load. (Through externally accessible DIP Switch - see pages 11 for instructions)
- Fully automatic "Connect and Forget" operation
- 3 banks of batteries can be charged simultaneously without use of an external battery isolator
- Monitoring through ON status LED and Ammeter
- Temperature controlled cooling fan (SEC-1230UL, SEC-2415UL)

- Protections against short circuit, over current, reverse battery connection and over temperature (over temperature for SEC-1230UL and SEC-2415UL)
- Can be used as a power supply or as a DC UPS (Uninterruptible DC Power Supply) when used with a battery (DIP Switch set at "Battery with load")

### Cooling

SEC-1215UL is cooled by convection and does not have any thermal overload shut down.

SEC-1230UL and SEC-2415UL are cooled by convection and in addition, have a temperature controlled fan for forced air cooling. Two temperature sensors mounted on the power transformer control the switching of the fan and over temperature shut down. The fan will be switched on by the first temperature sensor when the power transformer reaches 70°C.

**Hence, at lower loads, the fan may not cut in and will be off. This is normal.**

In case the fan fails or if the cooling is not adequate, the second temperature sensor will shut down the unit if the power transformer reaches 100°C. The red LED will switch OFF. The unit will automatically recover on removal of thermal overload condition.

## SECTION 4 | Charging States & Protections

### NOTES:

#### 1. VOLTAGE READINGS ON NO LOAD

The output has one common Negative terminal and three Positive terminals for charging 3 banks of batteries. Each Positive terminal has an internal isolating diode in series which has a forward voltage drop of 0.8 to 1.1 V. On no load (that is when no battery or other DC load is connected to any of the 3 terminals), the voltage reading will read 0.8 to 1.1 V higher than the specified float voltage. Note that the specified float voltage is at a load of 1 A. Also, the voltage on the terminals not connected to the load (for example, when one bank of battery is connected to one Positive terminal, the other 2 Positive terminals will remain disconnected) will read 0.8 to 1.1 Volt higher than the voltage of the loaded terminal.

#### 2. VOLTAGE SPECIFICATIONS

All rated voltages are specified at battery temperature of 80°F.

These chargers can be manually selected to operate in 3 stage or 2 stage modes (Please see "**Selecting the Type of Battery and Charging Stages**" at page 11). The charging stages are described below:

#### Stage 1 - Constant Current or Bulk Charge Stage

When the battery is low, it will try to draw larger charging current. The charger senses the current draw and limits this to the maximum permissible value (15A for SEC-1215UL / SEC-2415UL and 30A for SEC-1230UL). Bulk charging takes place at this constant current. **In this condition of constant current, the voltage measured at the charger or battery terminals will be the battery's own voltage.**

The constant current injected into the battery starts restoring the battery capacity and it's voltage starts rising. When this voltage approaches the threshold of battery "gassing", termed "Boost or Absorption Voltage", the charger automatically switches over to Stage 2 - "Boost or Absorption Stage". The value of this voltage depends upon the type of battery being charged (See DIP Switch Settings). By this time, approximately 80% of the battery capacity will normally have been

restored (**Note:** The percentage capacity restored till the point the battery reaches the Boost or Absorption Voltage is inversely proportional to the value of the bulk charge current.)

#### Stage 2 - Constant Voltage Boost or Absorption Stage

As explained above, when the battery voltage approaches the point where battery "gassing" can begin, the charger automatically switches over to the "Boost or Absorption Stage". The charger applies a constant voltage whose value depends upon the type of battery selected (See DIP Switch Settings). This controlled over-charge restores the balance 20% of the capacity in a minimum amount of time. As the capacity is fully restored, the charging current starts reducing. When the current reduces below the preset threshold, the charger automatically switches to the "Float or Maintenance Stage".

#### Stage 3 - Constant Voltage, Float or Maintenance Charging Stage

As explained above, as the charging current drops below the preset threshold (1.5 to 2 amps for SEC-1215UL / SEC-2415UL and 2.5 A to 3 A for SEC-1230UL), it signals that the battery is 100% charged.



## SECTION 4 | Charging States & Protections

In this "Float or Maintenance Charging Stage", the charger outputs a constant voltage of 13.5 V for 12 V system and 27 V for 24 V system. This helps in maintaining 100% capacity of the battery and also compensates for self discharge. The battery can remain connected in this stage indefinitely without the risk of overcharging or excessive loss of electrolyte.

### CAUTION!

3 stage charging is recommended for charging stand-alone, unloaded batteries (there is no load connected to the battery when it is being charged).

If a load is also connected simultaneously, a part of the charger's output current will be diverted to this load. Thus, the charger may remain locked in the "Boost or Absorption Mode" if the current drawn by the load is more than the preset value of threshold current determining change over between the Boost and Float Stages. **This will lead to overcharging and loss of electrolyte.**

For charging a battery when a load is also connected simultaneously, the "Boost or Absorption Stage" is required to be disabled. Select "Battery with Load" using the DIP switch. See details under "Powering other DC Loads" at page 14.

### THE CHARGER HAS THE FOLLOWING PROTECTIONS:

#### Short Circuit Shut Down

In case of a short circuit on the output side, the charger will shut down. The Red LED will switch off. The charger will automatically recover once the short circuit condition is removed.

#### Over load Current Limiting

The current drawn by the load is automatically limited to a maximum of 15 A for SEC-1215UL / SEC-2415UL and 30 A for SEC-1230UL. If the load tries to draw a

higher current than these limits, the output voltage of the unit will start to drop. **If a battery is connected, the output voltage will be clamped to the actual battery voltage.** The unit will automatically recover when the overload condition is removed.

#### Reverse Battery Connection Cut Off

The output is internally fused on the DC side. In case, the polarity of the battery connection is reversed, the fuse(s) will blow. The red LED will switch off. The fuse(s) will be required to be replaced for the unit to function again.

#### Thermal Overload Shutdown

SEC-1215UL is cooled by convection and does not have any thermal overload shut down.

SEC-1230UL and SEC-2415UL are cooled by convection and in addition, have a temperature controlled fan for forced air cooling. Two temperature sensors mounted on the power transformer control the switching of the fan and over temperature shut down. The fan will be switched on by the first temperature sensor when the power transformer reaches 70°C. **Hence, at lower loads, the fan may not cut in and will be off. This is normal.**

In case the fan fails or if the cooling is not adequate, the second temperature sensor will shut down the unit if the power transformer reaches 100°C. The red LED will switch off. The unit will automatically recover on removal of thermal overload condition.

#### CAUTION:

**Keep the charger in a well ventilated, cool and open area. Do not block the vent holes on the sides or the discharge openings of the cooling fan.**

# SECTION 5 | Installation & Charger Operation

## INSTALLATION

### Location, Mounting & Safety

The charger is required to be installed in a safe, well ventilated and dry location. Please see the details given under "Important Safety Instructions" on page 3.

With the help of 4 screws, mount the charger on a vertical bulkhead with the output terminal side facing down.

### Output connectors

A terminal block with tubular, screw down type of terminals is used for output connection. The diameter of the tubular holes is as follows :

SEC-1215UL	0.14 inches
SEC-2415UL / SEC-1230UL	0.19 inches

### Wires for Battery Connection

To avoid polarity errors and possible damage, never use wires of only one color. Use red insulated wire(s) for Positive connection(s) and black for Negative connection(s)

Recommended DC wire sizes are given below. The length in feet is the length of the pair of the Positive and Negative DC wires from the charger to the battery / other DC load:

Length of the pair of the Positive & Negative cables	SEC-1215UL SEC-2415UL	SEC-1230UL
0 to 6 ft.	AWG #10	AWG #8
6 to 10 ft.	AWG #8	AWG #6
10 to 20 ft.	AWG #6	AWG #4

### Termination of Wire Ends

Wire ends for connection to the charger should be terminated with pin type of lugs provided.

## CAUTION!

**For firm connection when using stranded cable, crimp / solder "pin" style terminal on the charger end of the DC wires used for connecting to the battery / other DC loads.**

## CHARGER OPERATION

### Preparing the Charger for Operation: Selecting AC input voltage

The charger is pre-set to operate from input AC voltage of 120 VAC, 60 Hz. To operate the charger from AC input voltage of 230 VAC, 50 Hz, change the internal setting as follows:

1. Remove the 4 screws on the ammeter side of the top cover
2. Gently slide the top cover out by 2 to 3 inches. **(CAUTION! The top cover will be restrained from fully sliding out by the wires connecting the ammeter, LED and the fan)**
3. Locate the jumper wire with a quick female disconnect. In the pre-set condition, it is connected to the male vertical pin marked "115 V". Pull this female disconnect upwards to disconnect from the "115 V" position. Connect this to the male vertical pin marked "230 V"
4. Replace the fuse with the fuse recommended for 230 VAC operation (See fuse rating at page 17)
5. Replace the AC plug of the power cord with a suitable 3 pin grounded

## SECTION 5 | Installation & Charger Operation

plug to mate with the 230 VAC outlet. **CAUTION: The new plug should have 3 poles i.e. Line (L) , Neutral(N) and Earth ground. Color code for the power cord conductors is:**

- Line (L) - Black
- Neutral (N) - White
- Earth ground - Green

### Preparing The Charger For Operation: Selecting The Type Of Battery And Charging Stages

The Float Voltage and Boost Voltage (Also called Absorption or Overcharge Voltage) of different types of Lead Acid Batteries are different. Also, when a charger is used to charge a battery and simultaneously supply a load , the Boost Stage is required to be disabled to prevent overcharging of

the battery . A DIP Switch is provided on top of the output terminals for selecting the battery type and for disabling the Boost Stage when charging loaded batteries. The following selections can be made with the help of the DIP Switch.

**CAUTION! Do not change the DIP Switch setting when the charger is operating. Always change the DIP Switch setting when the charger is off , i.e. after disconnecting the charger from the AC input power.**

**NOTE: The voltages are for a temperature of 80°F.**

**CAUTION! Please ensure that the position No. 4 of the DIP switch (S1-ON & S2-ON) is NEVER selected.**

DIP SWITCH SETTINGS: SEC-1215UL/SEC-1230UL					
S1	S2	Float	Boost	Battery Type	Charging Stages
OFF *	ON *	13.5 V *	14.4 V *	Flooded / AGM *	3 Stages (Stages 1, 2, 3)
ON	OFF	13.5 V	14.0 V	Gel Cell	3 Stages (Stages 1, 2, 3)
OFF	OFF	13.5 V	Disabled	Battery with Load	2 Stages (Stages 1, 3)
ON	ON	<b>Caution! Do NOT use this setting</b>			

\* Factory pre-set in this position

DIP SWITCH SETTINGS - SEC-2415UL					
S1	S2	Float	Boost	Battery Type	Charging Stages
OFF *	ON *	27 V *	28.8 V *	Flooded / AGM *	3 Stages (Stages 1, 2, 3)
ON	OFF	27 V	28.0 V	Gel Cell	3 Stages (Stages 1, 2, 3)
OFF	OFF	27 V	Disabled	Battery with load	2 Stages (Stages 1, 3)
ON	ON	<b>Caution! Do NOT use this setting</b>			

\* Factory pre-set in this position

## SECTION 5 | Installation & Charger Operation

### Connecting The Batteries or Other DC Loads

The output has a common Negative (-) terminal and 3 Positive terminals for charging up to 3 independent banks of batteries. Each Positive connector has it's own internal isolating diode which works as a battery isolator. If more than one bank of batteries is connected, these will be charged at the same time as long as the AC power is available to the charger (the maximum charging current of 15 A of SEC-1215UL/SEC-2415UL and 30 A of SEC-1230UL will be shared among the connected banks of the batteries depending upon their discharged states). In case the AC power fails or if there is no output from the charger, the isolating diodes will prevent charging / discharging among the batteries connected to the banks.

The above arrangement works as a battery isolator and can divide the charging current into a maximum of 3 isolated branches and allows current flow in each branch in one direction only. If more than one battery systems are being used independently, the system batteries will discharge to different levels. If system batteries are connected in parallel to charge from a single charger, a weak or a dead battery will drain the charge from the strong battery. Such situation occurs in RVs, boats and other vehicles where 2 separate battery systems are used – starter battery for starting and running the engine and the other auxiliary / house battery system for running auxiliary devices like inverters, refrigerators, car stereos etc. Here, the starter battery should be connected to one bank and the auxiliary / house battery to the second bank. Fig. 5.1 shows this connection.

In a single battery bank, two or more batteries may be connected in parallel to

increase their AH capacity. These will be discharged and charged as a single battery bank. In this case, the paralleled bank of multiple batteries is to be considered as a single bank and connected to any one of the 3 banks of the charger as shown in Fig. 5.2 for bank of 4 batteries. For proper charging of all the batteries, please ensure that the Positive wire "A" from the charger is connected to the Positive terminal of the first battery (Battery 1) and the Negative wire "B" is connected to the Negative terminal of the last battery (Battery 4). This will ensure the following:

- Resistance of the interconnecting cables will be balanced and the individual batteries will see the same series resistance
- All the individual batteries will be charged at the same charging current and thus will be charged to the same state of charge
- None of the batteries will see an over-charge condition

When connecting a single battery or other single DC load, it can be connected to the common Negative and any one of the 3 Positive terminals as in Fig. 5.2.

### OPERATION

When the charger is switched on, the red LED lights up indicating that output voltage is available. When the batteries are being charged or when the charger is supplying other DC load, the current fed by the charger will be indicated by the ammeter.

When the batteries are discharged, they will draw charging current proportional to their discharged condition (up to a maximum current rating of the charger) and this current draw will be shown by

## SECTION 5 | Installation & Charger Operation

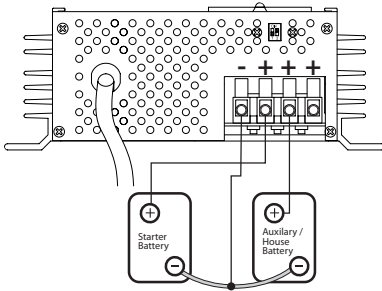


Fig. 5.1:  
Connecting 2 separate battery systems to 2 separate banks.

the ammeter. When the batteries are fully charged, they will draw very low current (may not be registered by the ammeter) to compensate for their self discharge.

### Charging a Battery Installed in a Vehicle

Follow these steps when the battery is installed in a vehicle. A spark near a battery may cause battery explosion. For safety and to reduce the risk of spark near the battery:

1. Position AC and DC cords to reduce risk of damage by hood, door or moving engine parts
2. Stay clear of fan blades, belts, pulleys and other parts that can cause injury to persons
3. Check the polarity of the battery posts. A Positive (Pos, P, +) battery post usually has a larger diameter than a Negative (Neg, N, -) post
4. Determine which post of the battery is grounded (Connected to the chassis Engine Block). If the Negative post is grounded to the Engine Block (As in

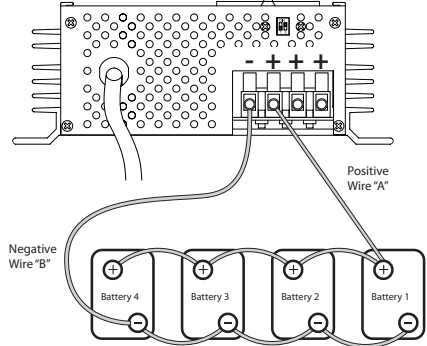


Fig. 5.2:  
Connecting bank of paralleled batteries to single bank.

most vehicles), see sub paragraph 5. If the Positive post is grounded, see sub paragraph 6)

5. For a Negative grounded vehicle, connect the Positive (red) DC wire from the charger to the Positive of the battery post. Connect the Negative (black) DC wire from the charger to a section of heavy gauge metal part of the frame or engine block which is away from battery. Do not connect to carburetor, fuel lines or sheet metal body parts.
6. For a Positive grounded vehicle, connect the Negative (black) DC wire from the charger to the Negative of the battery post. Connect the Positive (red) DC wire from the charger to a section of heavy gauge metal part of the frame or engine block which is away from battery. Do not connect to carburetor, fuel lines or sheet metal body parts.
7. Connect the charger AC power cord to the AC outlet
8. When disconnecting the charger, turn switches to off, disconnect AC power

## SECTION 5 | Installation & Charger Operation

cord, remove connection from the vehicle chassis and then remove connection from the battery terminal

### Charging a Battery outside the Vehicle

Follow these steps when the battery is outside the vehicle. A spark near the battery may cause battery explosion. For safety and to reduce risk of spark near the battery, connect the charger as follows:

1. Check the polarity of the battery posts.  
A Positive (Pos, P, +) battery post usually has a larger diameter than a Negative (Neg, N, -) post
2. Attach a piece of at least 3" of AWG #6 insulated battery wire to the Negative battery post
3. Connect the Positive (red) DC wire from the charger to the Positive battery post
4. Position yourself and the free end of the piece of wire attached to the Negative post as far away from the battery as possible and then connect the Negative (black) DC wire from the charger to the free end of the piece of wire attached to the Negative battery post
5. Do not face the battery when making the final connection
6. Connect the charger AC power cord to the AC outlet
7. When disconnecting the charger, always do so in reverse sequence of connecting procedure and break the first connection while standing as far away from the battery as practical

### CHARGING MORE THAN ONE BANK OF BATTERIES

**CAUTION!** When charging more than one bank of batteries at the same time using 3 Stage Charging, ensure that the batteries in the banks are in a similar discharged condition. If one bank is completely discharged and another is almost fully charged, the bank that is fully charged will be subjected to over charge condition during the time when the charger remains in Boost Stage for charging the completely discharged bank. If batteries are in dissimilar states of charge, select DIP Switch setting for "Battery with Load."

### Powering Other DC Loads

The charger can be used as a power supply or as a DC UPS. For both these applications, first set the DIP Switch to "Battery with load". (See under "Selecting the Type of Battery and Charging Stages" on page 11).

To use as a power supply, first switch off the DC load. Connect the DC load between the common Negative terminal and one of the three Positive terminals. **Ensure that the maximum current drawn by the DC load is below the maximum current rating of the charger. Switch on the charger and then the DC load.**

In a DC UPS (Un-interruptible Power Supply), the charger simultaneously powers the DC load as well as the battery. As long as the AC power to the charger is available and the charger is working normally, the charger will supply the DC load as well as charge/float the battery. In case the AC power fails or if the charger stops work-

## SECTION 5 | Installation & Charger Operation

ing, the battery will automatically power the DC load. As soon as the AC power to the charger is restored, the DC load will once again be fed by the charger and at the same time the battery will be recharged.

**CAUTION!** Please ensure that the sum of the current drawn by the DC load and the current desired for charging the battery is less than the maximum current capacity of the charger.

To use as a DC UPS, first switch off the DC load and connect it to the battery. Now connect the battery as explained above under "Charging a Battery outside the Vehicle" on page 14. Switch on the charger and then switch on the DC load.

## SECTION 6 | Troubleshooting

### **SYMPTOMS: CHARGER POWERED AND CONNECTED TO THE BATTERY**

#### **The Red LED Is OFF**

The DC side fuse may have blown due to wrong polarity of battery connection. Ensure Positive of the battery is connected to the Positive of the charger and the Negative of the battery is connected to the Negative of the charger. Check the fuses inside the charger and replace, if blown.

The battery may be shorted. In this condition, the unit is shut down by the short circuit protection circuit. Remove the battery connection. If the red LED now comes on, the battery is shorted. If the red LED still does not come on, check if there is AC power in the receptacle. If there is power, check the AC side fuse inside the unit. If the fuse is not blown, call Technical Support.

#### **The Red LED Is ON but the Ammeter Shows No Reading**

The battery is fully charged. If the battery is not fully charged, the connection to the

battery may be loose or open. Check tightness and continuity of the battery connection.

#### **The Battery Is Getting Over Charged or Boils**

The charger is also feeding other DC load(s) in parallel with the battery. The DIP Switch is not selected for "Battery with Load". Change DIP Switch setting to "Battery with Load" (see under "Powering other DC loads" on page14).

### **SYMPTOMS: CHARGER POWERED & DISCONNECTED FROM BATTERY**

#### **The Red LED Is OFF**

Check there is AC power in the receptacle. If there is power, check the AC side fuse inside the unit. If the fuse is not blown, check the DC side fuse. If the DC side fuse is not blown, the output may be shorted. In this condition, the charger is shut down by the short circuit protection circuit. Check that the output terminals are not shorted. If the terminals are not shorted, call Technical Support.

## **SECTION 6 | Troubleshooting**

### **AC Side Fuse Blows As Soon As Power Is Turned ON**

The AC input is selected for 120 VAC but the unit is plugged into 230 VAC. Always check that the charger is set for the correct AC mains voltage. If the AC input voltage is correct, the charger is defective. Call Technical Support.

### **DC Side Fuse Blows As Soon As The Battery Is Connected**

Wrong polarity of the battery connection. Ensure Positive of the battery is connected to the Positive of the charger and the Negative of the battery is connected to the Negative of the charger.

### **SYMPTOMS WHEN THE CHARGER IS POWERED AND IS BEING USED AS A DC POWER SUPPLY/UPS**

#### **The Voltage Drops When Load Is Switched On**

The load is trying to draw current more than the current limit value of the charger (the current limit value is the maximum

specified charging Amps). Once the load current reaches the current limit value, the current limit circuit is activated and the output voltage drops. Some loads like motors, compressors, incandescent lamps, halogen lamps, heating elements, relays, coils, capacitors etc. draw very large inrush/starting currents which may reach up to 10 times their normal operating currents. Ensure that the starting / inrush current or the maximum operating current of the load is lower than the current limit value of the charger.



## SECTION 7 | Internal Fuse Ratings & Specifications

Both the AC side and DC sides have fuses that are located inside the charger. Disconnect the AC power when checking or changing the fuses. Open the charger as follows:


1. Remove the 4 screws on the ammeter side of the top cover
2. Gently slide the top cover out by about 2 to 3 inches.  
(CAUTION! The top cover will be restrained from fully sliding out by the wires connecting the ammeter , LED and fan)
3. The fuses will now be accessible

Fuse Ratings Table

FUSE RATINGS	SEC-1215UL	SEC-1230UL	SEC-2415UL
120 VAC INPUT	4A / 250V*	8A / 250V*	8 A / 250V*
DC OUTPUT	20A / 32V†	2 x 20A / 32V†	2 x 10A / 32V†
230 VAC INPUT	2A / 250V *	4A / 250V *	4A / 250V *
DC OUTPUT	20A / 32V†	2 x 20A / 32V†	2 x 10A/32V†

\* Time Delay Type . † Automotive Blade Type: ATO, ATC.

Specifications Table

SPECIFICATIONS	SEC-1215UL	SEC-1230UL	SEC-2415UL
Nominal Input Voltage (pre-set)	120 VAC, 60 Hz, 3.3A	120 VAC, 60 Hz, 6.5A	120 VAC, 60 Hz, 6.5A
Internal Jumper Change	230 VAC, 50 Hz	230 VAC, 50 Hz	230 VAC, 50 Hz
Input Frequency	50 - 60 Hz	50 - 60 Hz	50 - 60 Hz
Output Voltage, Boost <sup>1,2</sup>	14 VDC, or 14.4 VDC or disabled	14 VDC, or 14.4 VDC or disabled	14 VDC, or 14.4 VDC or disabled
Output Voltage, Float <sup>1</sup>	13.5 VDC	13.5 VDC	27.0 VDC
Output Amps	15A	30A	15A
Operating Temperature Range	-20 to 40°C / -4 to 104°F	-20 to 40°C / -4 to 104°F	-20 to 40°C / -4 to 104°F
Weight	2.2 kg. / 4.8 lbs.	2.9 kg. / 6.4 lbs.	2.9 kg. / 6.4 lbs.
Housing Dimensions (L x W x H) Inches / Millimetres	8.5 x 8.4 x 3.3 / 218 x 214 x 83	10.8 x 8.4 x 3.3 / 280 x 214 x 83	10.8 x 8.4 x 3.3 / 280 x 214 x 83
Protections	Short Circuit Overload / Over Temperature	Short Circuit Overload / Over Temperature	Short Circuit Overload / Over Temperature
Output Banks	3	3	3
Safety Certification	Intertek ETL Listed to follow standards: i) ANSI/UL STD 1564 ii) CAN/CSA STD C22.2 No. 107.2		

1. Voltages based on battery temperature of 80° F
  2. Based on selection by DIP SWITCH. See pages 8 & 9
- Specifications are subject to change without notice.

## SECTION 8 | Warranty

### 2 YEAR LIMITED WARRANTY

SEC-1215UL / SEC-1230UL and SEC-2415UL manufactured by Samlex America, Inc. (the "Warrantor") is warranted to be free from defects in workmanship and materials under normal use and service. The warranty period is 2 years for the United States and Canada, and is in effect from the date of purchase by the user (the "Purchaser").

- Warranty outside of the United States and Canada is limited to 6 months. For a warranty claim, the Purchaser should contact the place of purchase to obtain a Return Authorization Number.
- The defective part or unit should be returned at the Purchaser's expense to the authorized location. A written statement describing the nature of the defect, the date of purchase, the place of purchase, and the Purchaser's name, address and telephone number should also be included.
- If upon the Warrantor's examination, the defect proves to be the result of defective material or workmanship, the equipment will be repaired or replaced at the Warrantor's option without charge, and returned to the Purchaser at the Warrantor's expense. (Contiguous US and Canada only)
- No refund of the purchase price will be granted to the Purchaser, unless the Warrantor is unable to remedy the defect after having a reasonable number of opportunities to do so. Warranty service shall be performed only by the Warrantor. Any attempt to remedy the defect by anyone other than the Warrantor shall render this warranty void. There shall be no warranty for defects or damages caused by faulty installation or hook-up, abuse or misuse of the equipment including exposure to excessive heat, salt or fresh water spray, or water immersion.
- No other express warranty is hereby given and there are no warranties which extend beyond those described herein. This warranty is expressly in lieu of any other expressed or implied warranties, including any implied warranty of merchantability, fitness for the ordinary purposes for which such goods are used, or fitness for a particular purpose, or any other obligations on the part of the Warrantor or its employees and representatives.

## **SECTION 8 | Warranty**

- There shall be no responsibility or liability whatsoever on the part of the Warrantor or its employees and representatives for injury to any persons, or damage to person or persons, or damage to property, or loss of income or profit, or any other consequential or resulting damage which may be claimed to have been incurred through the use or sale of the equipment, including any possible failure or malfunction of the equipment, or part thereof. The Warrantor assumes no liability for incidental or consequential damages of any kind.

**Samlex America Inc. (the "Warrantor")**  
**[www.samlexamerica.com](http://www.samlexamerica.com)**

# Contact Information

Toll Free Numbers

Ph: 1 800 561 5885

Fax: 1 888 814 5210

Local Numbers

Ph: 604 525 3836

Fax: 604 525 5221

Website

[www.samlexamerica.com](http://www.samlexamerica.com)

USA Shipping Warehouses

Kent, WA

Plymouth, MI

Canadian Shipping Warehouse

Delta, BC

Email purchase orders to

[orders@samlexamerica.com](mailto:orders@samlexamerica.com)



**samlex**america®



**samlex**power®

**GUIDE  
D'UTILISATION**

Veillez prendre connaissance de ce guide AVANT toute utilisation de votre chargeur de batterie

**Chargeur  
Commutateur,  
Automatique de  
Batterie Plomb-  
Acide**

MODÈLES:  
SEC-1215UL  
SEC-1230UL  
SEC-2415UL

# MANUEL D'UTILISATION: CHARGEURS DE BATTERIE | Index

<b>SECTION 1</b>	
Mesures de sécurité .....	3
<b>SECTION 2</b>	
Présentation .....	4
<b>SECTION 3</b>	
Description, Caractéristiques & Refroidissement .....	7
<b>SECTION 4</b>	
Niveaux de charge et Protections .....	8
<b>SECTION 5</b>	
Installation et Utilisation du chargeur .....	10
<b>SECTION 6</b>	
Résolution des problèmes .....	15
<b>SECTION 7</b>	
Calibration des fusibles internes & Spécifications .....	17
<b>SECTION 8</b>	
Garantie .....	18

## Exclusion de responsabilité

SAUF ACCORD ÉCRIT, SAMLEX AMERICA INC. :

1. N'OFFRE AUCUNE GARANTIE QUANT À L'EXACTITUDE, L'EXHAUSTIVITÉ OU LA PERTINENCE DE TOUTE TECHNIQUE OU D'AUTRES INFORMATIONS FOURNIES DANS SES MANUELS OU D'AUTRES DOCUMENTS.
2. N'ASSUME AUCUNE RESPONSABILITÉ OU RESPONSABILITÉ POUR LES PERTES, DOMMAGES, COÛTS OU DÉPENSES, QU'IL S'AGISSE DE PARTICULIERS, DIRECTS, INDIRECTS, CONSÉCUTIFS OU ACCESSOIRES, QUI POURRAIENT DÉCOULER DE L'UTILISATION DE TELLES INFORMATIONS. L'UTILISATION DE CES RENSEIGNEMENTS EST ENTIÈREMENT AUX RISQUES DE L'UTILISATEUR.

Samlex America se réserve le droit de réviser ce document et à apporter périodiquement des modifications à son contenu sans obligation ni organisation de telles révisions ou modifications.

## Avis de droit d'auteur/mention de réserve de droit d'auteur

Copyright © 2016 par Samlex America Inc. Tous droits réservés. L'autorisation de copier, distribuer ou modifier ce document est interdite sans l'autorisation expresse et écrite de Samlex America Inc.

## SECTION 1 | Mesures de sécurité

**De nombreux dangers peuvent se produire lorsque le chargeur n'est pas installé ou manipulé correctement. Veuillez lire les instructions suivantes afin d'éviter toutes blessures ou dommages personnels :**

### Risques liés à la batterie

- Afin de réduire les risques d'explosion, suivez ces instructions et celles apposées sur la batterie.
- Ne jamais fumer ou approcher une flamme autour de la batterie ou du moteur.
- Charger uniquement des batteries de type plomb-acide (inondées / AGM / cellules gelées). Ne pas charger d'autres types de batteries comme celle en nickel-cadmium.
- Nickel-hydrure métallique (Ni-MH), cellules sèches, etc. D'autres types de batteries sont susceptibles d'imploser et peuvent provoquer des blessures.
- Ne jamais charger une batterie gelée.
- Travailler à proximité d'une batterie plomb-acide peut être dangereux. Les batteries génèrent des gazes explosifs au cours de leur utilisation. Veuillez prendre les précautions nécessaires lors de l'installation de votre chargeur à proximité d'une batterie ou d'un compartiment de batterie. (suivre les instructions de sécurité fournies par le fabricant de la batterie).
- Ne jamais disposer le chargeur directement au dessus ou en dessous de la batterie étant chargée; les gazes et fluides dégagés par la batterie entraînent la corrosion et l'altération du chargeur. Placer le chargeur aussi loin que les câbles DC ne le permettent.

### Risques liés au chargeur

- N'utiliser en aucun cas, le chargeur dans un espace confiné ou mal ventilé.
- Installer le chargeur dans un endroit correctement ventilé, frais et sec.
- Le chargeur ne doit pas être utilisé dans un environnement humide. Lorsqu'installé sur un bateau, faites attention à ce que le chargeur ne soit pas exposé aux projections d'eau.
- Ne pas bloquer les bouches d'aération et de ventilation. Prévoir un dégagement d'au moins 15cm.
- Il est recommandé d'installer et de brancher le chargeur par un électricien certifié.
- Une installation défectueuse sur un bateau peut provoquer la corrosion du bateau. Il est recommandé que l'installation soit effectuée par un électricien certifié.
- Déconnecter l'alimentation CA avant de modifier les réglages de l'interrupteur DIP.
- Le châssis du chargeur est connecté à la broche de terre du cordon d'alimentation. Assurez-vous que la broche de terre du boîtier CA qui alimente le chargeur est connectée au sol.
- Ne pas utiliser d'adaptateur. Si un boîtier à prise de terre n'est pas disponible, ne pas utiliser ce chargeur jusqu'à ce qu'une prise adéquate ne soit installée par un électricien qualifié.
- Ne pas utiliser le chargeur si le cordon d'alimentation est endommagé.

## SECTION 2 | Présentation

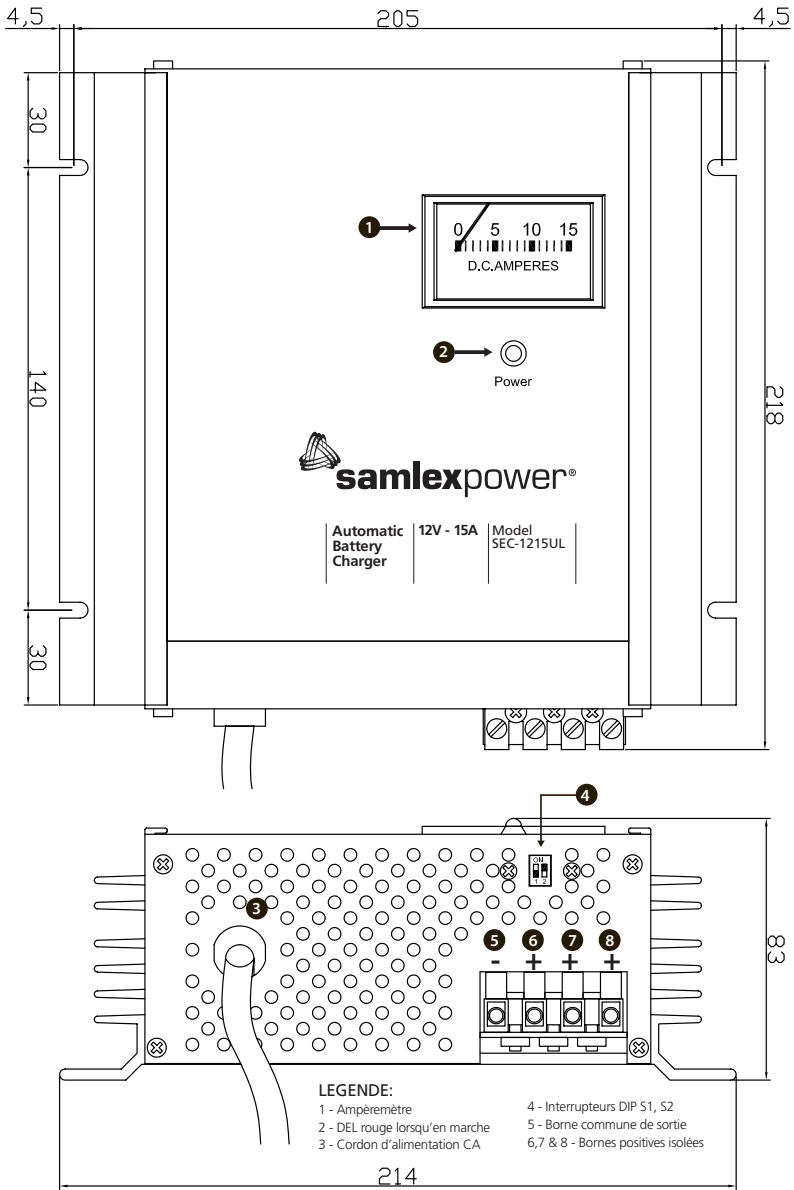


Fig. 2.1: presentation – SEC-1215UL



## SECTION 2 | Présentation

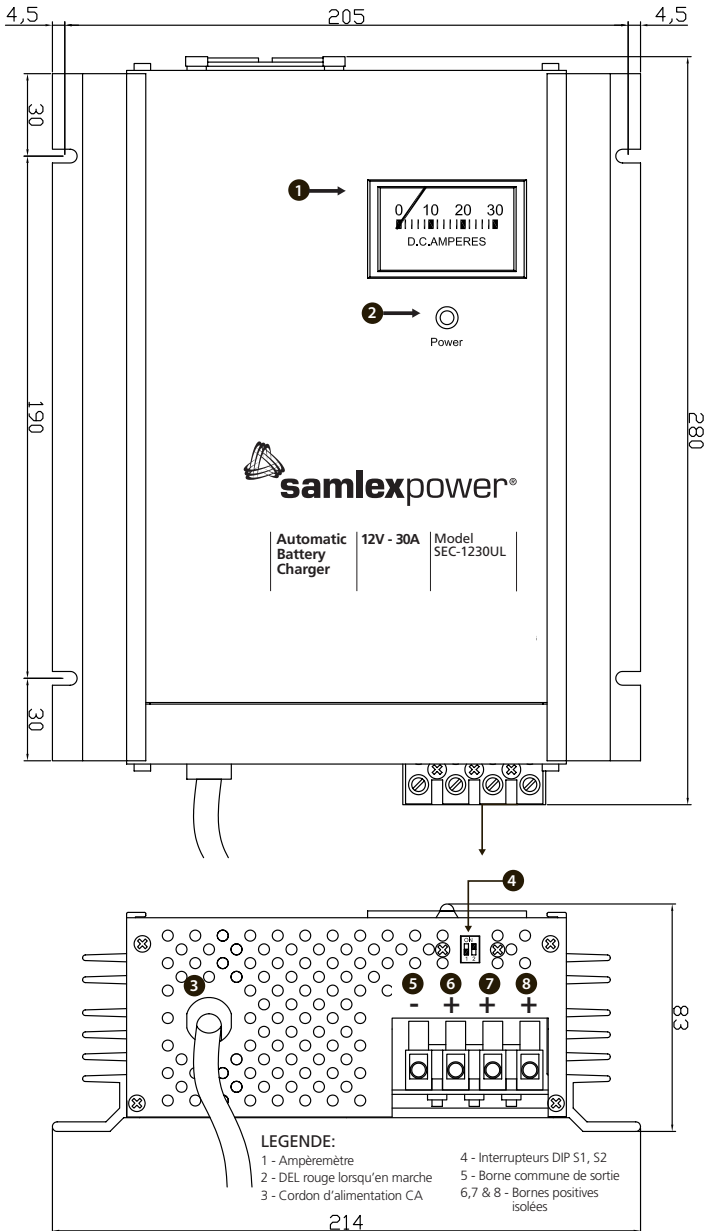


Fig. 2.2: présentation – SEC-1230UL

## SECTION 2 | Présentation

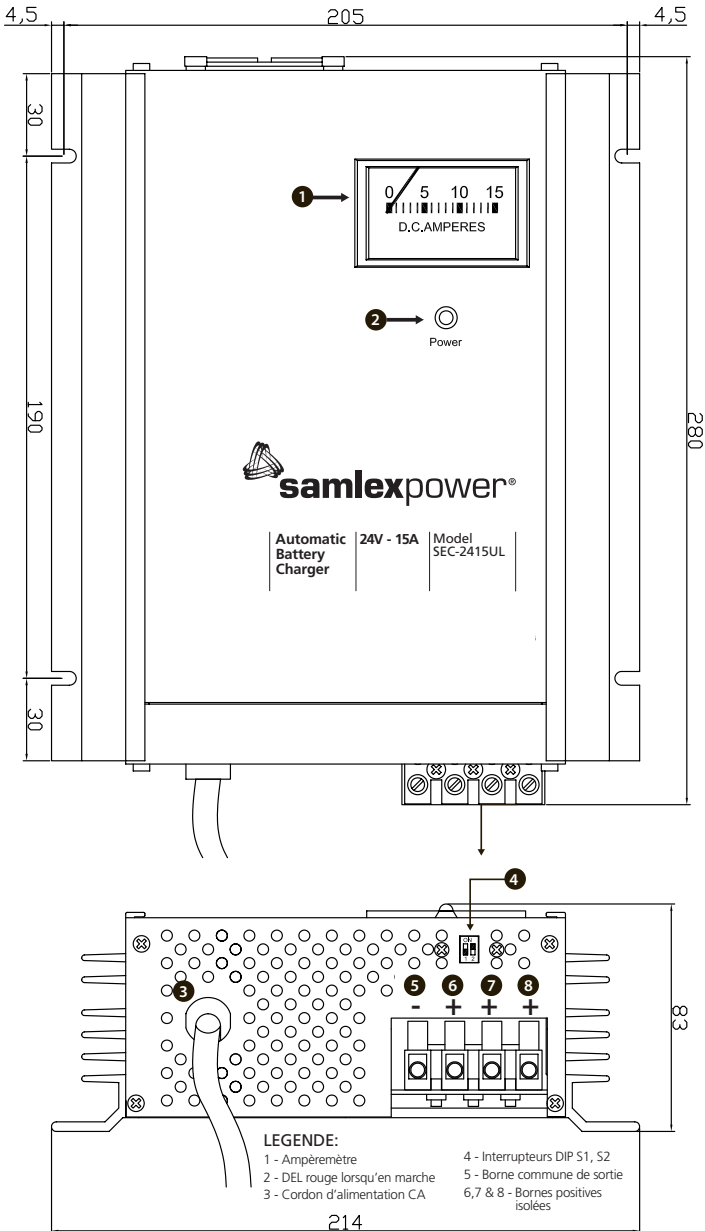


Fig. 2.3: présentation – SEC-2415UL

## SECTION 3 | Description, Caractéristiques et Refroidissement

### Description

Ces chargeurs sont destinés à charger des batteries de type plomb-acide (inondées / AGM / cellules gelées).

SEC-1215UL (courant de charge maximum 15A) et SEC-1230UL (courant de charge maximum 30A) sont utilisées pour charger des batteries de 24V. Ces chargeurs peuvent être alimentés depuis une source de CA de 120V, 60 Hz (réglage par défaut) ou 230V, 50 Hz (en changeant la position du disjoncteur au sein de l'unité – voir instructions en page 10).

### Caractéristiques

- La technologie à découpage haute gamme est utilisée en raison de son importante efficacité, de son poids léger et de son fonctionnement silencieux.
- La tension d'entrée du CA est sélectionnable par l'utilisateur – 120V, 60 Hz (réglage par défaut) ou 230V, 50 Hz (en changeant la position du disjoncteur au sein de l'unité – voir instructions en page 10).
- L'utilisateur peut sélectionner 2 ou 3 niveaux d'algorithmes de charge et procéder à la charge de toutes les batteries de type plomb-acide en toute sécurité - inondées / AGM / cellules gelées ou des batteries à charg externe. (interrupteur DIP accessible en externe – voir instructions en page 11).
- Fonctionnement entièrement automatique « Chargez et oubliez ».
- 3 banques de batteries peuvent être chargées simultanément sans avoir à utiliser un isolateur externe de batterie.
- Contrôle effectué à l'aide de la DEL, indiquant le statut ON et l'ampèremètre.
- Température régulée par ventilateur.
- Protections contre les courts-circuits, la surcharge, la connexion inversée de la

batterie et la surchauffe (surchauffe pour SEC-1230UL et SEC-2415UL)

- Peut être utilisé comme source d'énergie ou comme ASI CC, lorsqu'utilisé avec une batterie (option « batterie avec charge » sélectionné à l'aide de l'interrupteur DIP).

### Refroidissement

SEC-1215UL est refroidi par convection et ne possède pas de protecteur thermique de surcharge.

SEC-1230UL et SEC-2415UL sont refroidis par convection et possèdent également un ventilateur régulant et contrôlant la température de charge. Deux capteurs thermiques montés sur le transformateur électrique contrôlent le déclenchement du ventilateur et le protecteur thermique de surcharge. Le ventilateur s'enclenche lorsque le premier capteur thermique indique que le transformateur atteint les 70°C.

**Cependant, lors de charges minimes, le ventilateur peut ne pas se déclencher et être éteint. Ceci est normal.**

Dans le cas où le ventilateur ne fonctionne pas ou est inadéquat, le second capteur thermique entraînera l'arrêt de l'unité dès que la température du transformateur atteint les 100°C. La DEL rouge se mettra en position OFF. L'unité se remettra en marche une fois l'état de surchauffe terminé.

## SECTION 4 | Niveaux de charge et Protections

### NOTES:

#### 1. LECTURES DE TENSION HORS-CHARGE

L'alimentation dispose d'une borne commune négative et de trois bornes positives pour le chargement de trois banques de batterie. Chaque borne positive dispose d'une série de diodes internes isolantes qui à une chute de tension directe de 0,8 à 1,1V. Hors charge, (ce qui signifie qu'aucune batterie ou autre cc est connecte au 3 bornes), la lecture de tension indiquera 0,8 à 1,1 v supérieure a la tension de flottement spécifiée. Notez que la tension de flottement spécifiée est à une charge de 1 a. Aussi, la tension des bornes non connectées à la charge (par exemple, lorsqu'une banque de batteries est connectée a une borne positive, les 2 autres bornes positives demeureront déconnectées) indiquera une tension de 0,8 à 1,1 v supérieure a la tension de la borne en charge.

#### 2. SPECIFICATIONS SUR LA TENSION

Toutes les tensions évaluées sont spécifiées à une température de batterie de 27°C.

Ces chargeurs peuvent être sélectionnés manuellement afin de fonctionner en niveau 2 ou niveau 3. (Veuillez consulter « Sélectionner le type de batterie et les niveaux de charge » en page 11). Les niveaux de charge sont décrits ci-dessous :

#### Niveau 1 – Courant constant ou charge de masse

Lorsque la batterie est déchargée, elle a tendance à consommer plus de courant de charge. Le chargeur sent cette consommation de courant et la limite a une valeur permisible maximum (15A pour SEC-1215UL / SEC-2415UL et 30A pour SEC-1230UL). La charge de masse se fait au cours de ce courant constant. **Dans ce cas de courant constant, la tension mesurée aux bornes de la batterie ou du chargeur sera la tension propre de la batterie.**

Le courant constant injecté dans la batterie restaure les capacités de la batterie peu a peu et sa tension commence a augmenter. Lorsque la tension approche le seuil de gazéification de la batterie, appelée « tension d'amplification ou d'absorption ». La valeur de cette tension dépend du type de batterie chargée (voir Réglages de l'interrupteur DIP). Désormais, 80% des capacités de la batterie ont normalement été restorées (note : le pourcentage de capacité restaurée jusqu'à ce que la batterie atteigne la tension d'amplification ou d'absorption est inversement proportionnelle a la valeur du courant de charge de masse.)

#### Niveau 2 – Amplification courante de tension ou absorption

Comme expliqué ci-dessus, lorsque la tension de la batterie avoisine l'état de « gazéification », le chargeur passe automatiquement en phase « d'amplification ou d'absorption ». Le chargeur applique une tension courante dont les valeurs dépendent du type de batterie sélectionnée (voir Réglages de l'interrupteur DIP). Cette surcharge contrôlée restaure les 20% restant des capacités de la batterie dans un laps de temps minimum. Lorsque les capacités sont entièrement restaurées, le courant de charge commence à diminuer. Lorsque le courant diminue et se trouve en dessous du seuil préréglé, le chargeur passe automatiquement a un niveau de charge de « flottement ou d'entretien ».

#### Niveau 3 – Tension constante, Charge de flottement ou d'entretien

Comme explique ci-dessus, lorsque le courant de charge chute en dessous du seuil présélectionné (1,5 a 2 ampères pour SEC-1215UL/ SEC-2415UL et 2,5 A a 3A pour SEC-1230UL), cela indique que la batterie est chargée a 100%.

Au cours de cette charge de « flottement ou d'entretien », le chargeur délivre une tension constante de 13,5V pour un système 12 V et une tension de 27 V pour un système 24V. Cela aide à conserver 100% des capacités de la batterie et compense également l'auto

## SECTION 4 | Niveaux de charge et Protections

déchargement. La batterie peut demeurer connectée à ce niveau indéfiniment sans risquer la surcharge ou la perte excessive d'électrolytes.

### ATTENTION !

La charge niveau 3 est recommandée pour les piles ou piles ou batteries déchargées (il n'y a pas de charge connectée à la batterie lorsqu'elle est en cours de chargement).

Si une charge est également connectée simultanément, une partie du courant de sortie du chargeur sera détourné vers cette charge. Cependant, le chargeur peut rester bloqué en mode « d'amplification ou d'absorption », si le courant injecté par la charge est supérieure à la valeur présélectionnée du seuil de courant déterminant le changement entre les niveaux d'amplification et de flottement. **Cela entraînera a une surcharge et a un perte d'électrolytes.**

Pour charger une batterie lorsque la charge est connectée simultanément, il est requis de désactiver le niveau de « flottement et d'absorption ». Sélectionner « Batterie avec charge » à l'aide de l'interrupteur DIP. Consultez les détails en page 14 « Activer d'autres charges CC ».

### LE CHARGEUR POSSEDE LES PROTECTIONS SUIVANTES :

#### Protection contre les courts-circuits

En cas de court-circuit du courant de sortie, le chargeur s'éteindra. La DEL rouge s'éteindra. Le chargeur redémarrera automatiquement une fois le court-circuit réparé.

#### Limitation de courant de surcharge -

Le courant généré par la charge est automatiquement limité à une tension maximum de 15 A pour SEC-1215UL / SEC-2415UL et de 30 A pour SEC-1230UL. Si la charge tente de générer un courant supérieur à ces limites, la tension de sortie de l'unité commencera à chuter.

Si une batterie est connectée, la tension de sortie sera égale à celle de la batterie en charge. L'unité redémarrera automatiquement lorsque l'état de surcharge sera achevé.

#### Extinction de la connexion inversée de la batterie

- Le courant de sortie est équipé de fusibles internes. Au cas où, la polarité de la connexion de la batterie soit inversée, les fusibles exploseront.

**Protection anti-surchauffe** - SEC-1215 est refroidie par convection et ne possède pas de protection anti-surchauffe.

SEC-1230UL et SEC-2415UL sont refroidis par convection et possèdent également un ventilateur régulant et contrôlant la température de charge. Deux capteurs thermiques montés sur le transformateur électrique contrôlent le déclenchement du ventilateur et le protecteur thermique de surcharge. Le ventilateur s'enclenche lorsque le premier capteur thermique indique que le transformateur atteint les 70°C. **Cependant, lors de charges minimales, le ventilateur peut ne pas se déclencher et être éteint. Ceci est normal.**

Dans le cas où le ventilateur ne fonctionne pas ou inadéquat, le second capteur thermique entraînera l'arrêt de l'unité dès que la température du transformateur atteint les 100°C. La DEL rouge se mettra en position OFF. L'unité se remettra en marche une fois l'état de surchauffe terminé.

**ATTENTION : Conservez le chargeur dans un lieu frais et ventile. Ne pas obstruer les trous d'aération sur les cotés ni les ouvertures du ventilateur.**

## SECTION 5 | Installation et utilisation du chargeur

### INSTALLATION

#### Emplacement, montage et sécurité

Le chargeur doit être installé dans un lieu sur, sec et correctement ventilé. Veuillez consulter les détails concernant les « Instructions importantes de sécurité » en page 3.

A l'aide de 4 vis, fixez le chargeur sur une cloison verticale, la borne de sortie face au sol.

#### Connecteurs de sortie

Un bornier composé de bornes tubulaires est utilisé pour la connexion de sortie. Les diamètres des trous tubulaires sont les suivants :

SEC-1215UL	0,14 pouces
SEC-2415UL / SEC-1230UL	0,19 pouces

#### Câbles pour la connexion de la batterie

Pour éviter toutes erreurs de polarité et des dommages éventuels, ne jamais utiliser de câbles de même couleur. Utilisez des câbles de couleur rouge pour les connexions à la borne positive et des câbles de couleur noire pour les connexions à la borne négative.

Les diamètres de câbles de CC recommandés sont décrits ci-dessous. La longueur en mètre correspond à la longueur des câbles positifs et négatifs depuis le chargeur jusqu'à la batterie/ autres charges de CC :

Longueur de la paire des câbles positif & négatif	SEC-1215UL SEC-2415UL	SEC-1230UL
0 à 6 pieds	AWG #10	AWG #8
6 à 10 pieds	AWG #8	AWG #6
10 à 20 pieds	AWG #6	AWG #4

#### Terminaison des câbles

Les terminaisons des câbles pour la connexion du chargeur doivent être en forme d'épingle.

### ATTENTION !

**Pour une connexion ferme lorsque vous utilisez un câble toronné, pincez / soudez la borne en forme « d'épingle » sur la terminaison des câbles de CC du chargeur utilisés pour la connexion de la batterie / autres charges de CC.**

### UTILISATION DU CHARGEUR

#### Préparation du chargeur pour utilisation :

##### Sélection de la tension d'entrée de CA

Le chargeur est présélectionné afin d'être utilisé depuis une tension d'entrée de CA de 120 VAC, 60 Hz. Afin d'utiliser le chargeur depuis une tension d'entrée de CA de 230 VAC, 50hz, veuillez procéder aux réglages internes suivants :

1. Retirez les 4 vis du couvercle de l'ampèremètre
2. **Faites glisser délicatement le couvercle de 5 à 8 cm. (ATTENTION ! Le couvercle sera retenu par les câbles connectant l'ampèremètre, la DEL et le ventilateur)**
3. Localisez le câble du disjoncteur par une courte déconnection du câble femelle. Le câble femelle est connecté au câble mâle marqué « 115V » dans les réglages de présélection. Tirez sur le câble femelle afin de le déconnecter de la position « 115 V ». Connectez-le au câble mâle vertical marqué « 230 V ».
4. Remplacez le fusible avec le fusible recommandé pour l'utilisation de 230 VAC (voir calibration des fusibles en page 17)
5. Remplacez le cordon d'alimentation de CA avec une prise CA de mise à terre à 3 broches et branchez-la à une sortie de 230 VAC. ATTENTION : la nouvelle prise doit avoir trois pôles, c.a.d, Ligne (L),

## SECTION 5 | Installation et utilisation du chargeur

Neutre (N) et Mise a terre. Le code couleur pour le cordon d'alimentation est :

- Ligne (L) – Noir
- Neutre (N) – Blanc
- Mise a terre – Verte

### Préparation du chargeur pour utilisation : sélection du type de batterie et des niveaux de charge

La tension de flottement et la tension d'amplification (également appelle tension d'absorption ou de surcharge) des différents types de batteries plomb-acide sont différents. Aussi, lorsqu'un chargeur est utilise pour charger une batterie et pour fournir une charge simultanément, le niveau d'amplification doit être désactivé pour empêcher la surcharge de la batterie. Un interrupteur DIP se trouve sur le dessus des bornes de sortie, cet interrupteur permet de

sélectionner le type de batterie et de désactiver le niveau d'amplification lorsque vous chargez des batteries pleines. Les sélections suivantes peuvent être réalisées avec l'aide de l'interrupteur DIP.

**ATTENTION ! Ne modifiez pas les réglages de l'interrupteur DIP lorsque le chargeur est en marche. Modifiez toujours les réglages de l'interrupteur DIP lorsque le chargeur est éteint, c.a.d après avoir déconnecté le chargeur de l'alimentation d'entrée de CA.**

**NOTE : la température des tensions est de 27°C.**

**ATTENTION ! Veuillez vous assurer que la position No.4 de l'interrupteur DIP (S !-ON et S2-ON) ne soit jamais sélectionné.**

REGLAGES DE L'INTERRUPTEUR DIP : SEC-1215UL/SEC-1230UL					
S1	S2	Flottement	Amplification	Type de batterie	Niveaux de charge
OFF *	ON *	13.5 V *	14.4 V *	Inondée/ AGM*	3 niveaux (Niveaux 1, 2, 3)
ON	OFF	13.5 V	14.0 V	Cellule Gelée	3 niveaux (Niveaux 1, 2, 3)
OFF	OFF	13.5 V	Désactivée	Batterie avec charge	2 niveaux (Niveaux 1, 3)
ON	ON	<b>Attention ! NE PAS utiliser ces réglages</b>			

\* Réglages présélectionnés en usine.

REGLAGES DE L'INTERRUPTEUR DIP : SEC-2415UL					
S1	S2	Flottement	Amplification	Type de batterie	Niveaux de charge
OFF *	ON *	27 V *	28.8 V *	Inondée/ AGM*	3 niveaux (Niveaux 1, 2, 3)
ON	OFF	27 V	28.0 V	Cellule Gelée	3 niveaux (Niveaux 1, 2, 3)
OFF	OFF	27 V	Désactivée	Batterie avec charge	2 niveaux (Niveaux 1, 3)
ON	ON	<b>Attention ! NE PAS utiliser ces réglages</b>			

\* Réglages présélectionnés en usine.

## SECTION 5 | Installation et utilisation du chargeur

**Connexion des batteries ou d'autres charges de CC** - Le courant de sortie possède une borne commune négative (-) et 3 bornes positives afin de charger indépendamment jusqu'à 3 banques de batteries. Chaque connecteur positif possède sa propre diode isolante interne servant d'isolant pour la batterie. Si plus d'une banque de batteries est connectée, celles-ci seront chargées au même moment tant que le courant CA est disponible au sein du chargeur (le courant de charge maximum de 15 A pour SEC-1215UL/SEC-2415UL et de 30 A pour SEC-1230 UL est partagé entre les banques de batteries connectées dépendant des niveaux de déchargement). Dans le cas où le courant CA n'est pas suffisant ou si le chargeur est dépourvu de courant, les diodes isolantes empêcheront la charge/décharge des batteries connectées aux banques.

La diode sert d'isolant de batterie et peut diviser le courant de charge en 3 branches isolées maximum et permet le passage du courant dans chacune des branches dans un sens unique. Si plus d'un système de batterie est utilisé indépendamment, les batteries du système se déchargeront à des degrés différents. Si les batteries du système sont connectées en parallèle à un chargeur unique, une batterie faible ou morte pompera la charge depuis une batterie pleine. De telles situations ont lieu dans les camping-cars, bateaux et autres véhicules où 2 systèmes de batteries séparées sont utilisés – la batterie de démarrage pour démarrer et arrêter le moteur et le système de batterie auxiliaire pour faire fonctionner les appareils auxiliaires, tels que les inverseurs, les réfrigérateurs, les stéréos de voitures, etc. Ici, la batterie de démarrage doit être connectée à une banque et à la batterie auxiliaire de la seconde banque. La figure 5.1 montre cette connexion en détails.

Au sein d'une banque de batterie unique, deux ou plus de batteries peuvent être connectées en parallèle pour augmenter leur

capacité AH. Ces batteries seront déchargées et chargées comme une banque de batterie unique. Dans ces cas, la banque en parallèle de batteries multiples doit être considérée comme une banque unique et doit être connectée à une des 3 banques du chargeur comme le présente la figure 5.2 pour une banque de 4 batteries. Pour un chargement correct de toutes les batteries, veuillez-vous assurer que le câble positif « A » du chargeur est connecté à la borne positive de la première batterie (Batterie 1) et que le câble négatif « B » est connecté à la borne négative de la dernière batterie (batterie 4). Cela permettra :

- Que la résistance des câbles d'interconnexion soit équilibrée et que les batteries individuelles reçoivent la même résistance en série.
- Que les batteries individuelles soient chargées avec le même courant de charge et qu'elles soient donc chargées au même état de charge
- Qu'aucune des batteries n'expérimente de surcharge

Lorsque vous connectez une batterie unique ou autre charge unique de CC, cela peut être connecté à la borne commune négative et à une des 3 bornes positives, comme le montre la figure 5.2.

### UTILISATION

Lorsque le chargeur est allumé, la DEL rouge s'allume et indique qu'une tension de sortie est disponible. Lorsque les batteries sont en train de charger ou lorsque le chargeur fournit d'autres charges de CC, le courant généré par le chargeur sera indiqué par l'ampèremètre.

Lorsque les batteries sont déchargées, elles soutireront de courant de charge de manière proportionnelle à leur état de décharge et cette consommation de courant sera mesurée



## SECTION 5 | Installation et utilisation du chargeur

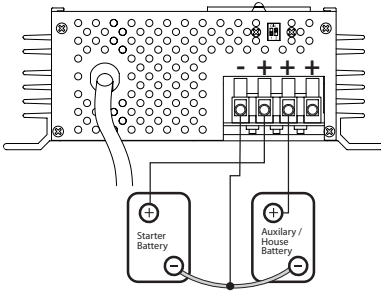


Fig. 5.1:  
Connexion de deux systèmes de batterie distincts à deux bancs de batterie indépendants.

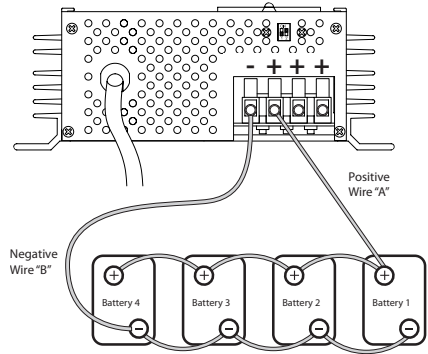


Fig. 5.2:  
Connexion d'un banc de batteries en parallèle à un seul banc.

par l'ampèremètre. Lorsque les batteries sont complètement chargées, elles généreront un très faible courant (qui peut ne pas être enregistré par l'ampèremètre) afin de compenser leur auto déchargement.

### Charger une batterie installée dans un véhicule

Suivez ces étapes lorsque la batterie est installée au sein d'un véhicule. Une étincelle autour de la batterie peut provoquer l'explosion de celle-ci. Pour des raisons de sécurité et pour réduire le risque d'étincelles aux alentours de la batterie :

1. Positionnez les câbles CA et CC afin de réduire les risques de dommages causés par le capot, la portière, ou autres pièces du moteur.
2. Eloignez-vous des pales du ventilateur, des courroies, des poulies et autres pièces pouvant provoquer des blessures.
3. Vérifiez la polarité des bornes de la batterie. La borne A positive (Pos, P, +) est généralement plus large que la borne négative (Neg, N, -).
4. Déterminez quelle borne de la batterie est mise à terre (connectée au châssis du moteur). Si la borne négative est mise à

terre au moteur (comme dans la plupart des véhicules), veuillez lire le paragraphe 5 ci-dessous. Si la borne positive est mise à terre, veuillez lire le paragraphe 6 ci-dessous.

5. Pour un véhicule de mise à la terre négative, connectez le câble de CC positif (rouge) du chargeur à la borne positive de la batterie. Connectez le câble de CC négatif (noir) du chargeur à une pièce métallique très résistante située sur le cadre du moteur et qui se tient éloignée de la batterie. Ne pas connecter au carburateur, ni aux tuyaux de carburant ou aux pièces métalliques de la carrosserie.
6. Pour un véhicule de mise à la terre négative, connectez le câble de CC négatif (noir) du chargeur à la borne positive de la batterie. Connectez le câble de CC positif (rouge) du chargeur à une pièce métallique très résistante située sur le cadre du moteur et qui se tient éloignée de la batterie. Ne pas connecter au carburateur, ni aux tuyaux de carburant ou aux pièces métalliques de la carrosserie.
7. Connectez le cordon d'alimentation CA du chargeur à une prise secteur CA.

## SECTION 5 | Installation & Charger Operation

8. Lorsque vous déconnectez le chargeur, éteignez tous les interrupteurs, débranchez le cordon d'alimentation de CA et débranchez toutes connexions du châssis du véhicule, puis débranchez toutes connexions aux bornes de la batterie.

### Charger une batterie hors d'un véhicule

Suivez ces étapes lorsque la batterie est hors du véhicule. Une étincelle à proximité de la batterie peut entraîner l'explosion de celle-ci. Pour des raisons de sécurité et pour réduire les risques d'étincelles à proximité de la batterie, connectez le chargeur comme suit :

1. Vérifiez la polarité des bornes de la batterie. La borne A positive (Pos, P, +) est généralement plus large que la borne négative (Neg, N, -).
2. Attachez une pièce d'au moins 7,5 cm de câble isole de batterie d'AWG#6 a la borne négative de la batterie.
3. Connectez le câble positif de CC (rouge) du chargeur a l'aborne positive de la batterie
4. Positionnez-vous ainsi que la partie dénudée du câble attache a la borne négative aussi loin que possible de la batterie et connectez ensuite le câble de CC négatif (noir) du chargeur à la partie dénudée du câble attache la borne négative de la batterie.
5. Ne jamais se mettre face a la batterie lorsque vous procédez a la connexion finale.
6. Connectez le cordon d'alimentation CA du chargeur à une prise secteur CA
7. Lorsque vous déconnectez le chargeur, veuillez toujours procédez dans l'ordre inverse de cette procédure et débranchez la première connexion en premier tout en restant aussi loin que possible de la batterie

### CHARGER PLUS D'UNE BANQUE DE BATTERIES

ATTENTION ! Lorsque vous chargez plus d'une banque de batteries en même temps en utilisant le niveau de charge 3, assurez-vous que les batteries dans le s banques sont toutes déchargées au même niveau. Si une banque est complètement déchargée et une autre presque entièrement chargée, la banque qui est complètement chargée sera sujette a une surcharge tant que le chargeur est en phase d'amplification pour charger la banque complètement déchargée. Si les batteries sont à des différents niveaux de déchargement, sélectionnez l'option « Batterie avec charge » à l'aide de l'interrupteur DIP.

### Charger d'autres charges de CC

Le chargeur peut être utilisé comme source de courant ou comme ASI CC. Pour ces deux utilisations, veuillez tout d'abord sélectionner l'option « Batterie avec charge » à l'aide de l'interrupteur DIP. (cf. « Sélection du type de batterie et des niveaux de charge » en page 11.)

Pour l'utiliser comme source de courant, veuillez d'abord éteindre la charge de CC. Connecter la charge de CC entre le terminal négatif et l'une des trois bornes positives. **Assurez-vous que la consommation maximum de courant par la charge CC est inférieure au niveau actuel du chargeur. Allumez le chargeur et ensuite la charge de CC.**

Pour un ASI CC (source non-interruptible de courant), le chargeur charge simultanément ka charge de CC ainsi que la batterie. Tant que le courant CA est disponible pour le chargeur et que le chargeur fonctionne normalement, il chargera la charge de CC et chargera/flottera la batterie. Au cas ou le courant CA est indisponible ou si le chargeur

## SECTION 5 | Installation & Charger Operation

s'arrête de fonctionner, la batterie chargera automatiquement la charge de CC. Des que le chargeur restaure le courant CA, la charge de CC sera de nouveau chargée par le chargeur ainsi que la batterie.

**ATTENTION !** Veuillez vérifier que la somme du courant généré par la charge de CC et du courant désiré pour charger la batterie est inférieure à la capacité maximale actuelle du chargeur

Pour l'utiliser comme ASI CC, veuillez tout d'abord éteindre la charge de CC et la connecter à la batterie. Désormais, connectez la batterie comme explique ci-dessus sous la section "Charger une batterie hors d'un véhicule" en page 14. Branchez le chargeur et ensuite branchez la charge de CC.

## SECTION 6 | Résolution des problèmes

### **SYMPTOMES : CHARGEUR BRANCHÉ ET CONNECTÉ A LA BATTERIE**

**Le signal de la DEL est ETEINT (OFF)**

Le fusible de CC peut avoir explosé en raison d'une mauvaise polarité de la connexion de la batterie. Assurez-vous que la borne positive de la batterie est connectée à la borne positive du chargeur et que la borne négative de la batterie est connectée à la borne négative du chargeur. Vérifiez les fusibles à l'intérieur du chargeur et remplacez-les, si besoin.

La batterie peut être court-circuitée. Dans ce cas, l'unité s'éteint grâce à la protection anti court-circuit. Débranchez la connexion de la batterie. Si la DEL rouge s'allume désormais, la batterie est court-circuitée. Si la DEL rouge n'apparaît toujours pas, vérifiez le fusible de CA à l'intérieur de l'unité. Si le fusible est intact, appelez le Centre Technique.

**La DEL rouge est sur ON mais l'ampèremètre n'affiche rien**

La batterie est entièrement chargée. Si la batterie n'est pas complètement chargée, la connexion à la batterie peut avoir été perdue ou être ouverte. Vérifiez l'étanchéité et la continuité de la connexion.

**La batterie est en surcharge ou en ébullition**

Le chargeur charge également d'autres charges de CC en parallèle à la batterie. L'option "Batterie avec charge" n'a pas été sélectionnée. Sélectionnez donc cette option à l'aide de l'interrupteur DIP (cf. "Charge d'autres charges de CC" en page 14.)

### **SYMPTOMES: CHARGEUR BRANCHE ET DECONNECTE DE LA BATTERIE**

**La DEL rouge est ETEINTE (OFF)**

Vérifiez qu'il y ait du courant CA dans la prise. Si tel est le cas, vérifiez le fusible de CA à l'intérieur de l'unité. Si le fusible est intact, il se peut que l'unité ait été court-circuitée. Dans ce cas, le chargeur s'éteint grâce à la protection anti court-circuit. Vérifiez que les bornes de sortie ne sont pas court-circuitées. Si les bornes ne le sont pas, appelez le Centre Technique.

**Le fusible de CA explose des que l'unité est en marche**

La tension d'entrée de CA est réglée sur du 120 VAC mais l'unité est branchée sur du 230 VAC. Vérifiez toujours que le chargeur est réglé sur la tension de CA adéquate.

## SECTION 6 | Résolution des problèmes

Si la tension d'entrée de CA est correcte, le chargeur est alors défectueux. Appelez la Centre Technique.

### **Le fusible de CC explosée des que la batterie est en marche**

Une mauvaise polarité de la connexion de la batterie. Assurez-vous que la borne positive de la batterie est connecte à la borne positive du chargeur et que la borne négative de la batterie est connecte à la borne négative du chargeur.

### **SYMPTOMES LORSQUE LE CHARGEUR EST BRANCHE ET EST UTILISE COMME SOURCE DE COURANT CC / ASI**

**La tension chute lorsque la charge est en marche**  
La charge tente de générer plus de courant que la valeur limite du courant du chargeur (la valeur limite du courant est le valeur maximale d'Ampères en charge). Une fois que le courant de charge atteint la valeur limite du courant, le circuit de courant limite

est active et la tension de sortie chute. Certaines charges comme les motos, compresseurs, lampes halogènes, appareils de chauffage, coils, condensateurs, etc. génèrent des courants d'appel/transitoires très importants qui peuvent atteindre jusqu'à 10 fois leur tension normale. Assurez-vous que le courant d'appel/transitoire ou que le courant maximum de la charge est inférieur à la valeur limite de courant du chargeur.

## SECTION 7 | Calibration des fusibles internes et Spécifications

Les poles de CA et de CC disposent de fusibles qui se trouvent à l'intérieur du chargeur, Débranchez l'alimentation CA lorsque vous procédez a la vérification et au remplacement des fusibles, Ouvrez le chargeur comme suit :



1. Retirez les 4 visses situées sur le couvercle de l'ampèremètre,
2. Faites glisser délicatement le couvercle de 5 à 8 cm, **ATTENTION ! Le couvercle sera retenu par les câbles connectant l'ampèremètre, la DEL et le ventilateur**
3. Les fusibles seront maintenant accessibles,

Tableau de calibration des fusibles

FUSE RATINGS	SEC-1215UL	SEC-1230UL	SEC-2415UL
120 VAC INPUT	4A / 250V*	8A / 250V*	8 A / 250V*
DC OUTPUT	20A / 32V†	2 x 20A / 32V†	2 x 10A / 32V†
230 VAC INPUT	2A / 250V*	4A / 250V*	4A / 250V*
DC OUTPUT	20A / 32V†	2 x 20A / 32V†	2 x 10A/32V†

\* Type à retard de temps. † En forme de pale des véhicules à moteur: l'ATO, ATC.

Tableau des spécifications

SPECIFICATIONS	SEC-1215UL	SEC-1230UL	SEC-2415UL
Tension d'entrée nominale (pré-réglage)	120 VAC, 60 Hz, 3,3A	120 VAC, 60 Hz, 6,5A	120 VAC, 60 Hz, 6,5A
Modification du disjoncteur interne	230 VAC, 50 Hz	230 VAC, 50 Hz	230 VAC, 50 Hz
Fréquence d'entrée	50 - 60 Hz	50 - 60 Hz	50 - 60 Hz
Tension de sortie, amplification <sup>1,2</sup>	14 VDC ou 14,4 VDC ou désactivé	14 VDC ou 14,4 VDC ou désactivé	28 VDC ou 28,8 VDC ou désactivé
Tension de sortie, Flottement <sup>1</sup>	13,5 VDC	13,5 VDC	27,0 VDC
Ampères de sortie	15A	30A	15A
Amplitude thermique	-20 à 40°C / -4 à 104°F	-20 à 40°C / -4 à 104°F	-20 à 40°C / -4 à 104°F
Poids	2,2 kg,/4,8 lbs,	2,9 kg. / 6,4 lbs.	2,9 kg. / 6,4 lbs.
Dimensions (L x W x H) Pouces / Millimètres	8,5 x 8,4 x 3,3 / 218 x 214 x 83	10,8 x 8,4 x 3,3 / 280 x 214 x 83	10,8 x 8,4 x 3,3 / 280 x 214 x 83
Protections	Court Circuit Surcharge	Court Circuit Surcharge / Surchauffe	Court Circuit Surcharge / Surchauffe
Banques de sortie	3	3	3
Conforme aux mesures de sécurité	i) Conforme à ANSI/UL STD 1564 ii) Certifié auprès de CAN/USA STD C22,2 No, 107,2		 Intertek 4004711
Conforme aux normes EMI	FCC Partie 15(B), Classe B		

1, Tensions basées sur les températures de batterie de 27°C

2, Basé sur la sélection par l'interrupteur DIP, Voir pages 8 et 9

Les spécifications sont sujettes aux modifications sans avertissement au préalable,

## SECTION 8 | Warranty

### GARANTIE LIMITEE SOUS 2 ANS

SEC-1215UL / SEC-1230UL et SEC-2415UL, fabriqués par Samlex America, Inc. (le « Garant ») sont garantis être non défectueux dans la conception et dans les matériaux, moyennant une utilisation et un service normaux. La période de garantie est de 2 ans pour les Etats-Unis et le Canada, et prend effet le jour de l'achat par l'utilisateur (« l'Acheteur »).

- La garantie hors des Etats Unis et du Canada est limitée à 6 mois. Pour une réclamation concernant la garantie, l'Acheteur devra contacter le point de vente ou l'achat a été effectué afin d'obtenir un Numéro d'Autorisation pour le Retour.
- La pièce ou l'unité défectueuse devra être retournée aux frais de l'acheteur au point de vente agréé. Une déclaration écrite décrivant la nature du défaut, la date et le lieu d'achat ainsi que le nom, l'adresse et le numéro de téléphone de l'Acheteur devront également être renseignés.
- Si a l'examination de la demande par le Garant, le défaut est réellement le résultat d'un matériau ou d'un assemblage défectueux, l'équipement sera réparé ou remplacé gratuitement et renvoyé a l'Acheteur aux frais du Garant. (Etats-Unis et Canada uniquement).
- Aucun remboursement du prix d'achat ne sera accorde a l'Acheteur, sauf si le Garant est incapable de remédier au défaut après avoir eu plusieurs occasion de le faire. Le service de garantie doit être effectue uniquement par le Garant. Toute tentatives de remédier au défaut par quelqu'un d'autre que le Garant rendent cette garantie nulle et sans effet. Il n'existe aucune garantie concernant les défauts ou dommages causés par une installation défectueuse ou inadaptée, par un abus ou une mauvaise utilisation de l'équipement, y compris, une exposition excessive a la chaleur, au sel, aux éclaboussures d'eau fraiche ou a l'immersion dans l'eau.
- Aucune autre garantie express n'est accordée et il n'existe aucunes garanties qui s'étendent au delà des conditions décrites par la présente. Cette garantie est la seule garantie valable et reconnue par le Garant, et prédomine sur d'autres garantie implicites, y compris les garanties implicites liées a la garantie de qualité marchande, a l'usage des objectifs habituels pour lesquels de telles marchandises sont utilisées, ou l'usage pour un objectif particulier, ou toutes autres obligations de la part du Garant ou de ses employés et représentants.

## **SECTION 8 | Warranty**

- Il ne doit pas exister de responsabilité ou autre de la part du Grant ou des ses employés et représentants, en ce qui concerne les blessures corporelles, ou les dommages de personne a personne, ou les dégâts sur une propriété, ou la perte de revenus ou de bénéfices, ou autres dommages collatéraux, pouvant être rapportés comme ayant survenus au cours de l'utilisation ou de la vente du matériel, y compris tous dysfonctionnements ou échecs du matériel, ou une partie de celui-ci. Le Garant n'assume aucune responsabilité concernant toutes sortes de dommages accidentels ou indirects.

**Samlex America Inc. (le « Garant »)**  
**[www.samlexamerica.com](http://www.samlexamerica.com)**

# Information Contact

Numéros Sans Frais

Tél: 1 800 561 5885

Télé: 1 888 814 5210

Numéros locaux

Tél: 604 525 3836

Télé: 604 525 5221

Site internet

[www.samlexamerica.com](http://www.samlexamerica.com)

Entrepôts USA

Kent, WA

Plymouth, MI

Entrepôt Canada

Delta, BC

Adresse email pour

passer commande

[orders@samlexamerica.com](mailto:orders@samlexamerica.com)



**samlex**america®