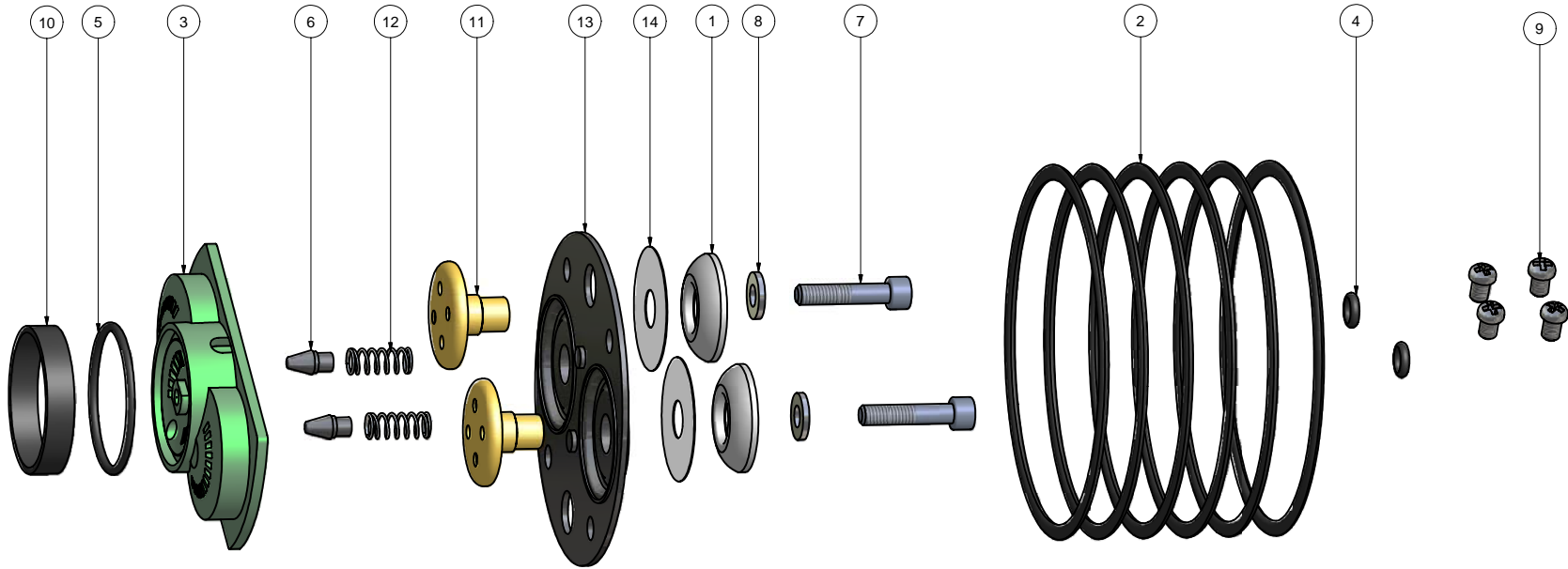


SDS-D-228 Minor Rebuild Kit



Parts List			
ITEM	QTY	PART NUMBER	DESCRIPTION
1	2	5000526	Outer Piston
2	6	5000020	O-Ring, Housing
3	1	500700	Check Valve, Duplex
4	2	5000015	O-Ring, End Cap Bolt
5	1	5000023	O-Ring, Check Valve
6	2	5000705	RV Poppet, Duplex
7	2	5000528	10-32 X 7/8 Piston Screw
8	2	1015	Washer, AN-960 #10 Flat
9	4	5000530	Screw, 8-32 X 5-16
10	1	5000024	Ring Gasket, Duplex Check Valve (Old Style)
11	2	6000700	Piston, SDS-D-228 (#2)
12	2	5000435	Relief Valve Spring, D-228
13	1	5000030	Diaphragm, EPDM (D-228)
14	2	6000850	Wear Washer, Teflon

NOTE: Item 10 and two extra o-rings on item 2 were added to fit the older style SP Pumps and SolarJack Pumps.

DRAWN James C. Allen	4/20/2004	SunPumps	
CHECKED			
QA		TITLE	
MFG		Minor Kit, SDS-D-228	
APPROVED		SIZE C	DWG NO EV D-228 Minor
		SCALE	REV
		SHEET 1 OF 1	