

# PROwatt 3000 Inverter

Owner's Guide

## About Xantrex

Xantrex Technology Inc. is a world-leading supplier of advanced power electronics and controls with products from 50 watt mobile units to 1 MW utility-scale systems for wind, solar, batteries, fuel cells, microturbines, and backup power applications in both grid-connected and standalone systems. Xantrex products include inverters, battery chargers, programmable power supplies, and variable speed drives that convert, supply, control, clean, and distribute electrical power.

## Trademarks

PROwatt is a trademark of Xantrex International. Xantrex is a registered trademark of Xantrex Technology Inc.

Other trademarks, registered trademarks, and product names are the property of their respective owners and are used herein for identification purposes only.

## Notice of copyright

*PROwatt 3000 Inverter Owner's Guide* © November 2001 Xantrex International. All rights reserved.

## Disclaimer

UNLESS SPECIFICALLY AGREED TO IN WRITING, XANTREX TECHNOLOGY INC.  
("XANTREX")

(a) MAKES NO WARRANTY AS TO THE ACCURACY, SUFFICIENCY OR SUITABILITY OF ANY TECHNICAL OR OTHER INFORMATION PROVIDED IN ITS MANUALS OR OTHER DOCUMENTATION.

(b) ASSUMES NO RESPONSIBILITY OR LIABILITY FOR LOSS OR DAMAGE, WHETHER DIRECT, INDIRECT, CONSEQUENTIAL OR INCIDENTAL, WHICH MIGHT ARISE OUT OF THE USE OF SUCH INFORMATION. THE USE OF ANY SUCH INFORMATION WILL BE ENTIRELY AT THE USER'S RISK.

## Date and Revision

November 2001, Revision 1

## Part number

445-0118-01-01

## Contact Information

Web: [www.xantrex.com](http://www.xantrex.com)

Email: [support.prowatt@xantrex.com](mailto:support.prowatt@xantrex.com)

Phone: 1-800-670-0707

Fax: 1-800-994-7828

# About This Guide

## Purpose

The *PROwatt 3000 Inverter Owner's Guide* contains information that enables individuals to install, operate, and troubleshoot the PROwatt™ 3000 Inverter.

## Scope

The guide provides safety guidelines, detailed information for designing an installation, procedures for installing the inverter, as well as information about operating and troubleshooting the unit. It does not provide details about particular brands of batteries. You need to consult individual battery manufacturers for this information.

## Audience

The guide is intended for anyone who needs to install and operate the PROwatt 3000. Installers should be certified technicians or electricians.

## Organization

This guide is organized into five chapters, five appendixes, and an index.

[Chapter 1, “Introduction”](#), outlines the main performance and safety features of the PROwatt 3000. Reading this chapter will give you a clear understanding of the inverter's capabilities.

[Chapter 2, “PROwatt 3000 Features”](#), outlines the main physical features of the inverter and the components that are shipped with it. This chapter will give you a good orientation to the product before you install it.

[Chapter 3, “Installation”](#), begins by explaining how to plan an effective installation. (Read this chapter in conjunction with [Appendix C](#) and [Appendix D](#).) It goes on to give detailed procedures for installing the inverter.

[Chapter 4, “Operation”](#), provides information for turning on and operating the inverter. Details are provided about how to read the front panel indicators to monitor system performance. The chapter also provides information about battery charging frequency and routine maintenance.

[Chapter 5, “Troubleshooting”](#), explains how to solve problems that can occur with the inverter.

[Appendix A, “Specifications”](#), provides electrical, physical, and performance specifications for the inverter and physical specifications for the remote On/Off switch.

[Appendix B, “Alternators and Charging Systems”](#), describes the components in charging systems and explains how to design a charging system for your installation.

[Appendix C, “Battery Types and Sizes”](#), provides background information about battery types as well as information that will help you calculate the size and number of batteries your system requires.

[Appendix D, “Product and System Information”](#), contains the product’s warranty, explains how to return a product for service, and describes how to prepare for a call to Xantrex Customer Service.

The Index provides a valuable means of looking up specific information topics and tasks.

## Conventions Used

The following conventions are used in this guide.



### **WARNING**

Warnings identify conditions that could result in personal injury or loss of life.

---



### **CAUTION**

Cautions identify conditions or practices that could result in damage to the PROwatt 3000 or other equipment.

---

**Note:** Notes describe additional information which may add to your understanding of how to use the inverter.

---

## Related Information

You can find more information about Xantrex Technology Inc. as well as its products and services at [www.xantrex.com](http://www.xantrex.com)



# Contents

## Important Safety Information

General Precautions .....	xi
Explosive Gas Precautions.....	xi
Precautions When Working With Batteries .....	xii
Precautions For Using Rechargeable Appliances.....	xii

## 1 Introduction

Quality Power .....	1-2
Ease of Use .....	1-2
Comprehensive Protection.....	1-3

## 2 PROwatt 3000 Features

Materials List .....	2-2
Front Panel (AC End) .....	2-3
Front Panel With AC Receptacle .....	2-4
Front Panel Showing AC Wiring Compartment .....	2-6
Back Panel (DC End) .....	2-7
Remote On/Off Switch .....	2-8

## 3 Installation

Safety Instructions .....	3-2
Installation Codes .....	3-2
Installation Tools and Materials .....	3-2
Tools.....	3-2
Materials .....	3-2
Overview of Installation Steps .....	3-3
Designing Your Installation .....	3-4
Calculating Battery Requirements .....	3-4
Choosing a Charging System.....	3-4
Choosing a Location.....	3-5
Connecting to an Existing AC Circuit .....	3-6

AC Wiring Precautions	3-6
AC Wiring Procedure	3-7
Installing Transfer Switches in AC Circuits	3-9
Installing the Remote On/Off Switch	3-10
Mounting the Inverter	3-11
Connecting the Chassis Ground	3-11
Grounding Locations	3-12
Connecting DC Cables	3-13
Cabling Guidelines	3-13
DC Fuses	3-14
Cabling Procedure	3-14
<b>4 Operation</b>	
Turning the Inverter On and Off	4-2
Using the Remote On/Off Switch	4-2
Turning the Inverter Off Between Charges	4-2
Operating Several Loads at Once	4-3
Resetting the AC Circuit Breaker	4-3
Reading the Front Panel Indicators	4-3
Battery Voltage Indicator	4-3
Battery Current Indicator	4-3
OVER TEMP Indicator (and Alarm)	4-4
OVER LOAD Indicator	4-4
Operating Limits	4-4
Power Output	4-4
Input Voltage	4-5
Inverter Loads	4-6
Problem Loads	4-6
Trouble Loads	4-6
Battery Charging Frequency	4-7
Routine Maintenance	4-7
<b>5 Troubleshooting</b>	
Common Problems	5-2
Buzz in Audio Equipment	5-2
Television Reception	5-2
Troubleshooting Reference	5-3



---

## A Specifications

Electrical Performance (Inverter) .....	A-2
Physical (Inverter) .....	A-2
Dimensions (Remote On/Off Switch) .....	A-2

## B Alternators and Charging Systems

Charging System Requirements .....	B-2
Charging With an Engine Alternator .....	B-2
Using a Standard Vehicle Alternator .....	B-2
Using an Alternator Controller .....	B-3
Using a High-Output Alternator .....	B-3
Charging From AC Power .....	B-3
Charging From Alternative Energy Sources .....	B-3

## C Battery Types and Sizes

Battery Types .....	C-2
Automotive Starting Batteries .....	C-2
Deep-Cycle Lead-Acid Batteries .....	C-2
Battery Size .....	C-3
Estimating Battery Requirements .....	C-4
Battery Sizing Example .....	C-4
Battery Sizing Worksheet .....	C-5
Using Multiple Batteries .....	C-6
Two Batteries Connected In Parallel .....	C-6
Two Separate Battery Banks .....	C-7
Battery Tips .....	C-8

## D Product and System Information

Warranty .....	D-2
Return Material Authorization Policy .....	D-3
Return Material Procedure .....	D-3
Information About Your System .....	D-4
Remote On/Off Switch Mounting Template .....	D-5

<b>Index</b> .....	<b>Index-1</b>
--------------------	----------------



# Important Safety Information



## WARNING

Before installing and using your PROwatt™ 3000 Inverter, be sure to read and save these safety instructions.

---

## General Precautions

1. Before installing and using the inverter, read all appropriate sections of this guide as well as all instructions and cautionary markings on the inverter and the batteries.
2. Do not operate the inverter if it has received a sharp blow, been dropped, or otherwise damaged. If the unit is damaged, see [“Product and System Information” on page D-1](#) and [“Return Material Authorization Policy” on page D-3](#).
3. Do not dismantle the inverter; it contains no user-serviceable components. Attempting to service the unit yourself could cause electrical shock or fire. **Internal capacitors remain charged after all power is disconnected.**
4. To reduce the risk of electrical shock, disconnect AC and DC power from the inverter before working on any circuits connected to the inverter. Turning off controls will not reduce this risk.
5. Do not expose the inverter to rain, snow, spray, or bilge water.
6. To reduce the risk of overheating or fire, do not obstruct the ventilation openings, and do not install the inverter in a zero-clearance compartment.

## Explosive Gas Precautions

1. Batteries generate explosive gases during normal operation. Be sure to read this guide and follow the instructions exactly before installing or using your inverter.
2. This equipment contains components which tend to produce arcs or sparks. To prevent fire or explosion, do not install the inverter in compartments containing batteries or flammable materials or in

locations that require ignition-protected equipment. This includes any space containing gasoline-powered machinery, fuel tanks, as well as joints, fittings, or other connections between components of the fuel system.

## Precautions When Working With Batteries

1. Follow all instructions published by the battery manufacturer and the manufacturer of the equipment in which the battery is installed.
2. Make sure the area around the battery is well ventilated.
3. Never smoke or allow a spark or flame near the engine or batteries.
4. Use caution to reduce the risk of dropping a metal tool on the battery. It could spark or short circuit the battery or other electrical parts and could cause an explosion.
5. Remove metal items like rings, bracelets, and watches when working with lead-acid batteries. Lead-acid batteries produce a short-circuit current high enough to weld a ring or the like to metal, and thus cause a severe burn.
6. If you need to remove a battery, always remove the ground terminal from the battery first. Make sure all accessories are off so you don't cause an arc.

## Precautions For Using Rechargeable Appliances

Most battery-operated equipment uses a separate charger or transformer that is plugged into an AC receptacle and produces a low voltage output. If the label on the AC adapter or charger states that the adapter or charger produces a low voltage AC or DC output (less than 30 volts), the PROwatt 3000 can power this charger or adapter safely.

Some chargers for small nickel-cadmium batteries can be damaged if connected to the PROwatt 3000. **Do not use the following with the PROwatt 3000:**

- Small battery-operated appliances like flashlights, razors, and night lights that can be plugged directly into an AC receptacle to recharge
- Chargers for battery packs used in hand power tools. These chargers display a warning label stating that dangerous voltages are present at the battery terminals.

# 1

## Introduction

Congratulations on your purchase of the PROwatt 3000 Inverter! As part of the PROwatt Inverter family, the PROwatt 3000 has been designed to give you quality power, ease of use, and outstanding reliability.

Please take a few moments to read this chapter to familiarize yourself with the PROwatt 3000's main performance and protection features.

## Quality Power

The PROwatt 3000 is a premium-quality inverter designed for heavy-duty AC loads or smaller, multiple AC loads including large microwaves, TVs, VCRs, air compressors, larger power tools, and air conditioners. It can often be used in place of a generator for large or intermittent loads.

- The PROwatt 3000 provides up to 2500 watts of continuous power or 3000 watts for five minutes, making it ideal for large single loads, intermittent loads, or multiple smaller loads.
- The inverter's high surge capability lets you handle many hard-to-start loads, including large TVs, refrigerators, and freezers.
- The unit's low standby battery demand means you don't have to worry about excessive drain on your battery if you leave the inverter on for a few days. When the inverter is on but no power is being supplied to a load, the inverter draws less than 600 mA from the battery.
- For more efficient power use, the fan shuts down automatically when no loads are attached to the inverter.

## Ease of Use

Superior features and rugged durability have been combined with extreme ease of use:

- The unit is compact, light weight, and easy to install.
- You can power loads directly from the receptacle on the front panel, or you can hardwire the unit into an existing AC electrical system using the leads in the inverter's wiring compartment.
- Easy-to-read indicators on the front panel let you monitor system performance at a glance.
- The remote On/Off switch lets you control the inverter from a convenient location—up to 20 feet (6 m) away—while the inverter itself is mounted out of sight and close to the batteries.

# Comprehensive Protection

The PROwatt 3000 is equipped with numerous protection features to guarantee safe and trouble-free operation:

**Low battery alarm** Alerts you if the battery has become discharged to 10.7 V or lower.

**Low voltage shutdown** Automatically shuts the inverter down if the battery voltage drops below 10 V. This feature protects the battery from being completely discharged.

**High voltage shutdown** Shuts the inverter down automatically if the input voltage rises to 15 V or more.

**Overload shutdown** Shuts the unit down automatically if a short circuit occurs or if the loads attached to the inverter exceed the operating limits.

**Over temperature shutdown** Turns the inverter off if its temperature rises above an acceptable level.





# 2

## PROwatt 3000 Features

[Chapter 2](#) describes the main features of the PROwatt 3000. Xantrex recommends that you familiarize yourself with them before installing and operating the inverter.

## Materials List

Your PROwatt 3000 package includes:

- 1 PROwatt 3000 Inverter
- 2 plastic terminal connector covers (red for positive; black for negative) with screws
- 1 cover plate to cover the wiring compartment on the AC end of the inverter
- 1/2 inch cable clamp
- Wire nuts and crimp-on connectors for permanent connection to an AC circuit
- 1 remote On/Off switch and a 20 foot (6 m) communications cable
- 1 owner's guide

If any of these materials are missing or are unsatisfactory in any way, please contact Customer Service:

**Phone:** 1-800-670-0707

**Fax:** 1-800-994-7828

**Email:** support.prowatt@xantrex.com

As soon as you unpack your inverter, be sure to record the product information asked for on [page D-4](#).

## Front Panel (AC End)

The front panel of the PROwatt 3000 can be configured in two ways:

- PROwatt 3000 is equipped with one 15 A circuit breaker-protected receptacle on the front panel as shown in [Figure 2-1](#). You can connect loads to this receptacle.
- To derive maximum power from the PROwatt 3000, you can remove the receptacle and hardwire the inverter to an AC source panel through the front panel as shown in [Figure 2-2](#). (For AC wiring procedures, see “[Connecting to an Existing AC Circuit](#)” on page 3–6.)

## Front Panel With AC Receptacle

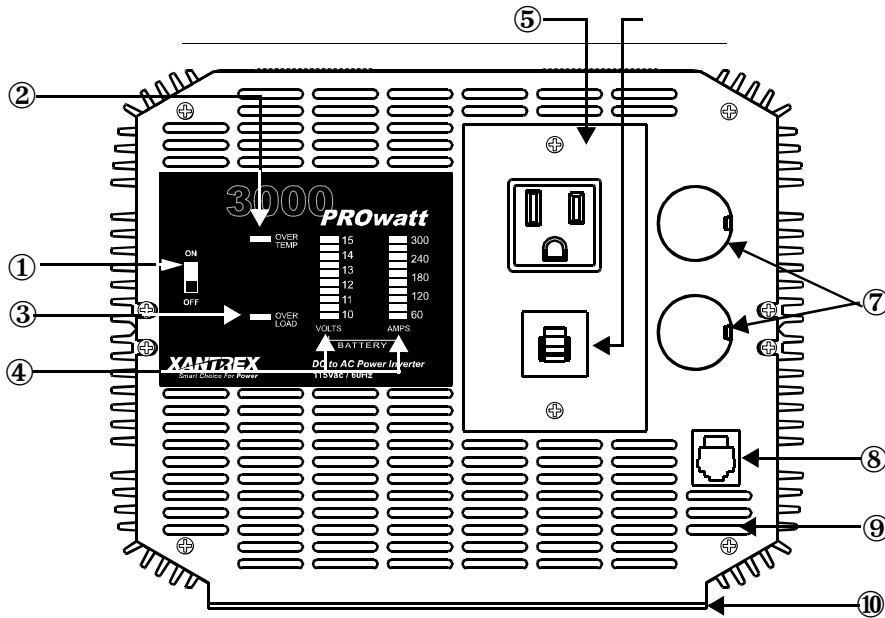


Figure 2-1 Front Panel With AC Receptacle

Feature	Description
①	<b>On/Off Switch</b> This switch turns the inverter’s control circuit on and off. It is not a power disconnect switch. You must disconnect AC and DC power before working on any circuits connected to the inverter.
②	<b>OVER TEMP Indicator</b> This indicator lights when the inverter shuts down to protect itself from overheating. When the inverter cools, it restarts automatically, and the indicator turns off.
③	<b>OVER LOAD Indicator</b> This indicator lights when the inverter shuts down because of an AC overload or a short circuit.
④	<b>VOLTS and AMPS Indicators</b> These display battery voltage and current. (See “ <a href="#">Reading the Front Panel Indicators</a> ” on page 4–3 for details.)

---

Feature	Description
⑤	<b>AC Receptacle</b> Delivers 15 amps (approximately 1700 watts) of continuous AC power. This is a grounded outlet with a 15 amp circuit breaker. For full output power, you need to make a permanent hardwire connection.
⑥	<b>Circuit Breaker</b> for AC receptacle
⑦	<b>Knockouts</b> for AC wiring
⑧	<b>Remote Control Jack</b> The jack allows you to connect the remote On/Off switch.
⑨	<b>Ventilation Openings</b>
⑩	<b>Mounting Flanges</b>

## Front Panel Showing AC Wiring Compartment

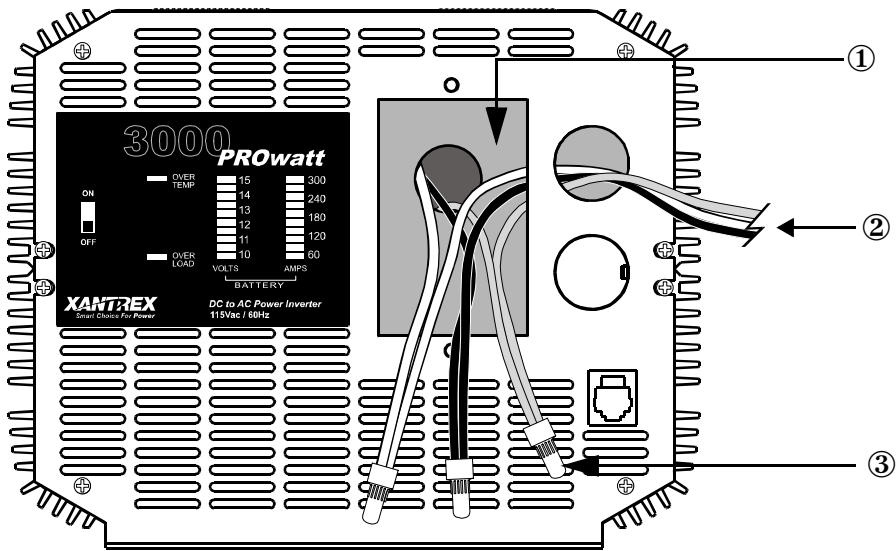
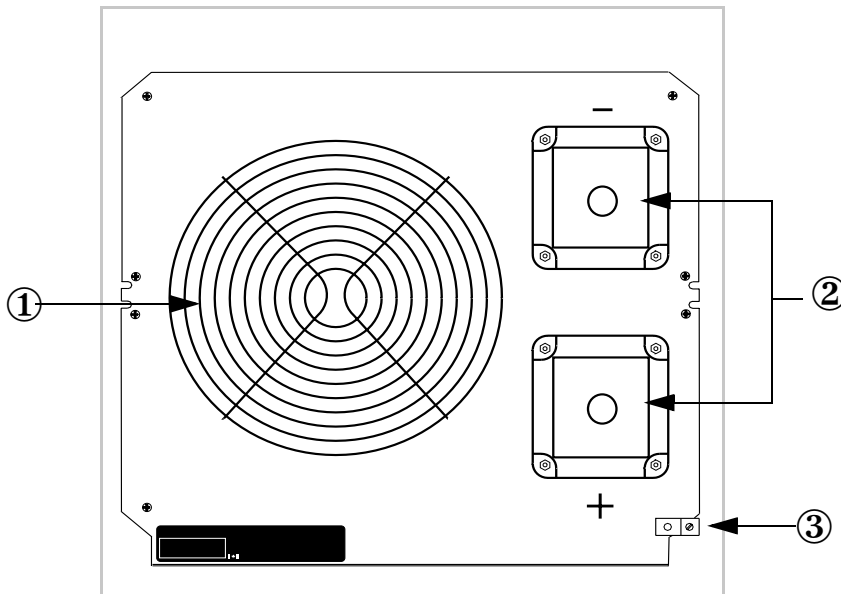


Figure 2-2 Front Panel With AC Wiring Revealed

Feature	Description
①	<b>AC Wiring Compartment</b>
②	<b>Outgoing AC Cable</b> 10 AWG copper 2-conductor-plus-ground to AC distribution
③	<b>Wire Nuts or Crimp-on Connectors</b> (depending on the code that governs your installation)

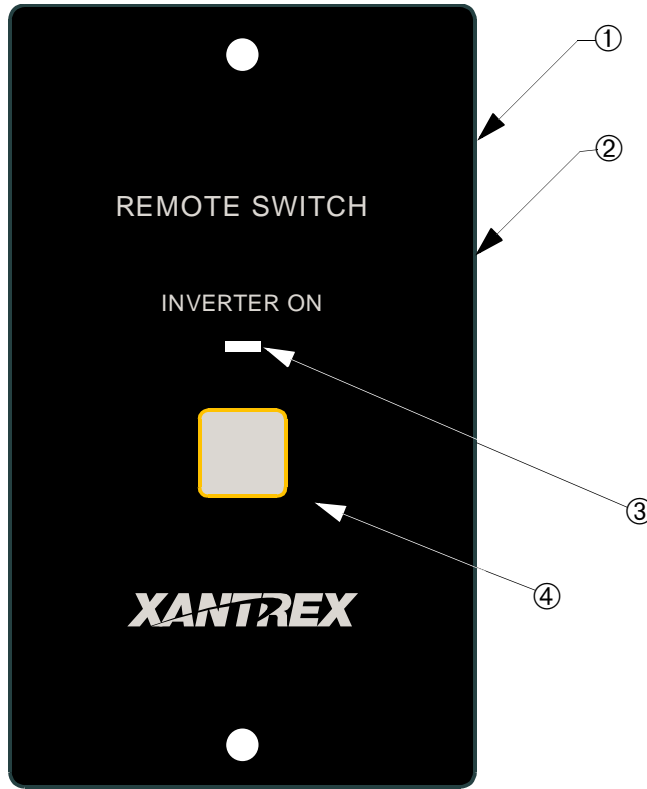
## Back Panel (DC End)



**Figure 2-3 Back Panel: DC End**

Feature	Description
①	<b>Ventilation Openings</b> For safety and proper operation of the inverter, these openings (and the openings on the front of the inverter) must not be obstructed. When the inverter is mounted, these ventilation openings must not point up or down. In other words, neither the front panel (AC end) nor the back panel (DC end) should point up or down.
②	<b>Positive (Red) and Negative (Black) DC Cabling Terminals</b>
③	<b>Chassis Ground Lug</b> Connects to earth ground, to vehicle chassis, or to DC grounding bus or engine's negative bus (in marine installations).

# Remote On/Off Switch



**Figure 2-4 Remote On/Off Switch**

Feature	Description
①	<b>Switch Panel</b> The 2 1/2 inch wide x 4 1/4 inch high (6.35 cm x 10.80 cm) panel mounts flush and requires 0.7 inches (18 mm) of depth. See <a href="#">page 3–10</a> for installation instructions and <a href="#">Figure D-1 on page D–5</a> for a mounting template.
②	<b>Cable and Connector</b> The cable (20 feet; 6 m) is permanently attached to the back of the switch. The connector plugs into the jack on the front of the inverter. (Not shown.)
③	<b>INVERTER ON</b> Lights up when the inverter is on.
④	<b>Touch control On/Off button</b>



# 3

## Installation

[Chapter 3](#) explains how to install the PROwatt 3000.

Xantrex recommends that you read the entire chapter so you can plan an installation that is suited to your power needs and then complete the installation procedures.

## Safety Instructions

Before you start to install the PROwatt 3000:

- Review the “[Important Safety Information](#)” on [page xi](#).
- Do not attempt your own AC wiring unless you have the knowledge and experience to do a safe job. Your RV dealer, boat dealer, or a licensed electrician can install the inverter if you do not wish to do your own wiring.
- Read and follow all Warnings and Cautions in this chapter.

## Installation Codes

Governing installation codes vary depending on the location and type of installation. Electrical installations must meet local and national wiring codes and should be done by a qualified electrician.

## Installation Tools and Materials

### Tools

- Wire cutter
- Wire stripper
- Flat-head screwdriver
- Wrench for DC terminals
- Crimping tool for fastening lugs and terminals on DC cables. (You may find it more convenient to have the crimp connectors attached by the company that sells you the cable.)
- Drill

### Materials

- 4 corrosion-resistant fasteners sized #10 or larger for mounting the inverter
- Copper DC cable, sized appropriately for load and application
- 2, 5/16 inch ring terminals sized for the cable diameter (or IlSCO or equivalent box-lug terminals) to connect the DC cables to the inverter

- Lugs and terminals for the DC cables that connect to the battery and fuse holder(s)
- DC fuse(s) and fuse holder(s)
- AC cable (2-conductor-plus-ground cable), sized appropriately for load and application (if you are connecting to an existing AC circuit)
- 1/2 inch cable clamp (if connecting to an AC circuit)
- AC transfer switch (if connecting to an AC circuit that also uses power from another AC source)
- Appropriately sized copper cable for the chassis ground
- Battery isolator (if connecting to a multiple-battery system)
- Battery selector switch\*
- Alternator controller\*
- High-output alternator\*

\* Consult [Appendix B, “Battery Types and Sizes”](#) and [Appendix C, “Alternators and Charging Systems”](#) to determine whether you need these components.

## Overview of Installation Steps

Here’s a summary of the seven main steps:

1. Design the installation: calculate battery capacity and charging requirements.
2. Choose a location.
3. Connect to an AC circuit (if required).
4. Install the remote On/Off switch.
5. Mount the inverter.
6. Connect the chassis ground.
7. Connect the DC cables.

## Designing Your Installation

Before doing anything else, determine how you are going to use your PROwatt 3000, and on the basis of that, design a power system that will give you maximum performance. The more thorough your planning, the better your power needs will be met. In particular, you need to:

- Calculate your battery requirements
- Choose an effective charging system

### Calculating Battery Requirements

Battery type and battery size strongly affect the performance of the PROwatt 3000. Therefore, you need to identify the type of loads your inverter will be powering and how much you will be using them between charges. Once you know how much power you will be using, you can determine how much battery capacity you need. Xantrex recommends that you purchase as much battery capacity as possible.

Consult [Appendix B, “Battery Types and Sizes”](#) for a detailed explanation of how to determine the appropriate number and size of batteries for your needs.



#### CAUTION

The PROwatt 3000 must only be connected to a battery that has a nominal output of 12 volts. It will not operate if connected to a 6 volt battery and will be damaged if connected to a 24 volt battery.

---

### Choosing a Charging System

The charging system must be appropriate for your particular installation. A well-designed charging system will ensure that power is available when you need it and that your batteries remain in top condition. Inadequate charging will degrade system performance, and the wrong type of charger will reduce battery life.

Consult [Appendix C, “Alternators and Charging Systems”](#) for information about designing an effective charging system.

---

## Choosing a Location

---

**WARNING**

The PROwatt 3000 contains components that tend to produce arcs or sparks. To prevent fire or explosion, do not install the inverter in compartments containing batteries or flammable materials or in locations that require ignition-protected equipment.

---

**WARNING**

To reduce the risk of fire, do not cover or obstruct the ventilation openings. Do not install the PROwatt 3000 in a zero-clearance compartment. Overheating may result.

---

The PROwatt 3000 must only be installed in a location that is:

<b>Dry</b>	Do not allow water or other liquids to drop or splash on it.
<b>Cool</b>	Ambient air temperature should be between 32° F and 105° F (0° C and 40° C)—the cooler the better within this range.
<b>Ventilated</b>	Allow at least 1 inch (2.5 cm) of clearance around the inverter for air flow. Ensure that ventilation openings on the AC and DC ends of the unit are not obstructed.
<b>Safe</b>	Do not install the inverter in the same compartment as batteries or in any compartment capable of storing flammable liquids like gasoline.
<b>Close to battery</b>	Do not use excessive DC cable lengths: they increase wire resistance and reduce input power. Longer AC wires are preferable to longer DC wires: wire resistance (and therefore voltage drop) is less and the cost is lower.
<b>Protected from battery gases</b>	Do not mount the inverter where it will be exposed to gases produced by the batteries. These gases are very corrosive, and prolonged exposure will damage the inverter.
<b>Easy to access</b>	The inverter must be mounted on a flat and horizontal surface with full access to the AC panel.

## Connecting to an Existing AC Circuit

You can plug loads directly into the AC receptacle on the front panel of the PROwatt 3000. However, the receptacle's circuit breaker limits output power to 1700 watts (15 amps). To obtain maximum output power, you need to connect the inverter to an AC circuit and then plug loads into the receptacles connected to that circuit.

### AC Wiring Precautions

If you are going to connect the inverter to existing AC wiring, observe the following precautions when installing and operating the inverter.

**Complete the AC wiring before installing the DC cables.**



#### **WARNING: Electrical Shock Hazard**

Complete the AC wiring before installing the DC cables. Connecting the DC cables to the batteries and the inverter energizes internal components regardless of the position of the On/Off switch.

---

#### **Maintain correct wiring polarity.**

A modern 115 volt AC wiring system has three color-coded conductors:

- black = line (“hot”)
- white = neutral (“common”)
- green or bare = ground

Screws on terminals are typically color-coded as follows:

- brass = line
- silver = neutral
- green = ground

**Do not connect the PROwatt 3000 and another AC source (such as a generator or utility power) to the AC wiring at the same time.**

The PROwatt 3000 will not operate if its output is connected to AC voltage from another source, and potentially hazardous or damaging conditions may occur. These conditions can occur even if the inverter is switched off.

If you install the PROwatt 3000 into an electrical system that also uses power from a generator or a utility line, you must include a switch that prevents the inverter and the other power source from being connected to the AC distribution system at the same time. See [“Installing Transfer Switches in AC Circuits”](#) on page 3–9.

## AC Wiring Procedure

---



### **WARNING: Electrical Shock Hazard**

115 Vac power is potentially lethal. Do not work on the AC wiring unless the DC power source is physically disconnected from the inverter.

Do not work on the AC wiring if it is connected to another AC power source such as a generator or the utility line.

---

The PROwatt 3000 is equipped with internal wires that allow you to make a permanent connection to an AC circuit.

### **To make a permanent connection to existing AC wiring:**

1. Make sure no DC voltage is being supplied to the inverter, and make sure no AC voltage is present on the AC wiring.
2. Remove the two screws that fasten the AC receptacle to the front panel, and pull the receptacle away from the inverter. This reveals the AC wiring compartment as shown in [Figure 3-1](#).
3. Cut the three conductors that are soldered to the receptacle and remove the receptacle, but make sure you cut the black wire only before the circuit breaker. The green and white wires can be cut close to the receptacle.
4. Remove one of the knockouts on the AC end of the inverter.
5. Insert the cable clamp in the hole.
6. Feed 2-conductor-plus-ground 10 AWG AC cable through the hole.

- Strip an amount of insulation from the end of each conductor that is appropriate for the type of connector you are going to use (wire nuts or crimp connectors). Select the connector type according to the code that governs your installation.

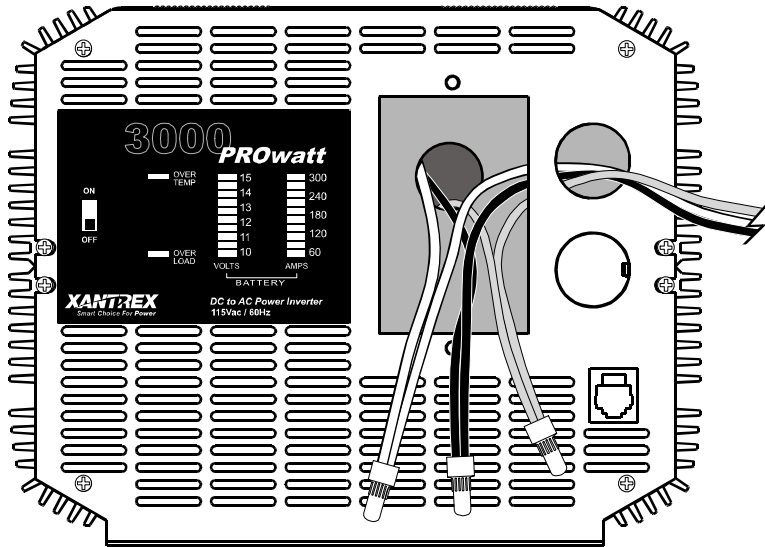


**CAUTION: Reverse Polarity**

Improper connections (connecting a line conductor to a neutral conductor, for example) will cause the PROwatt 3000 to malfunction and may permanently damage the inverter.

Damage caused by a reverse polarity connection is not covered by your warranty.

- Connect the output conductors in the wiring compartment to the conductors and ground on the 10 AWG AC cable. Ensure that you have maintained correct polarity.
- Cover the wiring compartment by installing the cover plate on the inverter's front panel.



**Figure 3-1 Wiring Compartment**

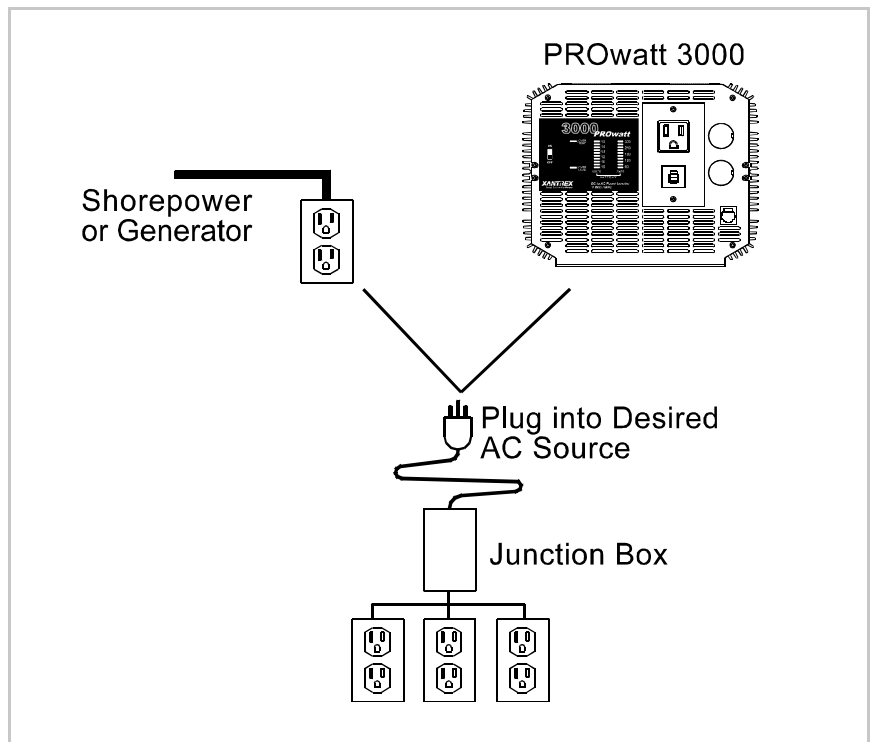


## Installing Transfer Switches in AC Circuits

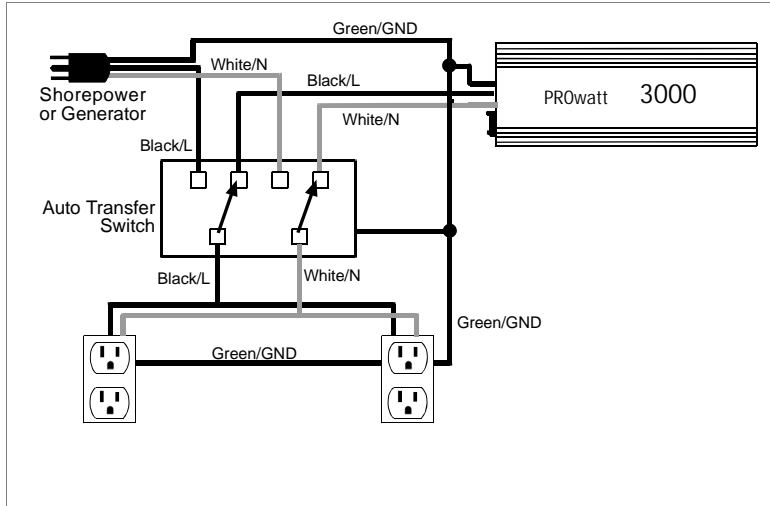
If you are using another AC source on the same circuit as the PROwatt 3000, install a transfer switch to ensure that the sources never power the circuit at the same time.

The switching mechanism can be as simple as a plug that you insert in the desired AC power source. See [Figure 3-2](#).

You can also use a manual or automatic transfer switch. See [Figure 3-3](#). A transfer switch is a double pole, double throw (DPDT) switch that switches both the line and neutral wires to the AC distribution system from one power source to the other. They are commonly used to switch between a generator and utility power (shorepower).



**Figure 3-2 Simple Transfer Switching**



**Figure 3-3 Automatic Transfer Switch**

Manual and automatic transfer switches are available from marine and RV dealers. Make sure you buy an approved switch with AC voltage and current ratings that exceed the output ratings of both the inverter and the other power source.

## Installing the Remote On/Off Switch

The remote switch lets you turn the PROwatt 3000 on and off from a convenient location—up to 20 feet (6 m) away from the inverter—while the inverter is mounted out of sight and close to the batteries.

### To install the remote On/Off switch:

1. Cut out the template printed on [page D-5](#) and position it on the wall where you want to install the switch.  
The switch requires a minimum of 0.7 inches (18 mm) of clear depth.
2. Mark the location of the two screw holes and the area to be cut out.
3. Pilot drill the two screw holes.
4. Cut out the square area.
5. Feed the communications cable and connector through the cut-out in the panel, and route the cable to the jack on the bottom of the inverter.
6. Plug the connector into the jack on the bottom of the inverter.
7. Fasten the switch assembly using the two screws that are provided.

If you need more cable than the 20 feet (6 m) supplied, buy a 1:1 connector and a high-quality 4-conductor, telephone extension cable with an RJ-11 connector on each end.

You can use a total cable length of 100 feet (30.5 m) although 50 feet (15.25 m) is the maximum recommended.

## Mounting the Inverter

### To mount the PROwatt 3000:

1. Turn off the inverter's On/Off switch.
2. Select an appropriate mounting location and orientation. The PROwatt 3000 must be oriented in one of the following ways:
  - Horizontally on a vertical surface. (The ventilation openings on the DC end must not point up or down.)
  - On or under a horizontal surface
3. Have one person to hold the inverter against the mounting surface, while you mark the positions of the mounting screws, and then remove the inverter.
4. Pilot-drill the four mounting holes.
5. Fasten the inverter to the mounting surface using corrosion-resistant hardware sized 10 or greater.

## Connecting the Chassis Ground

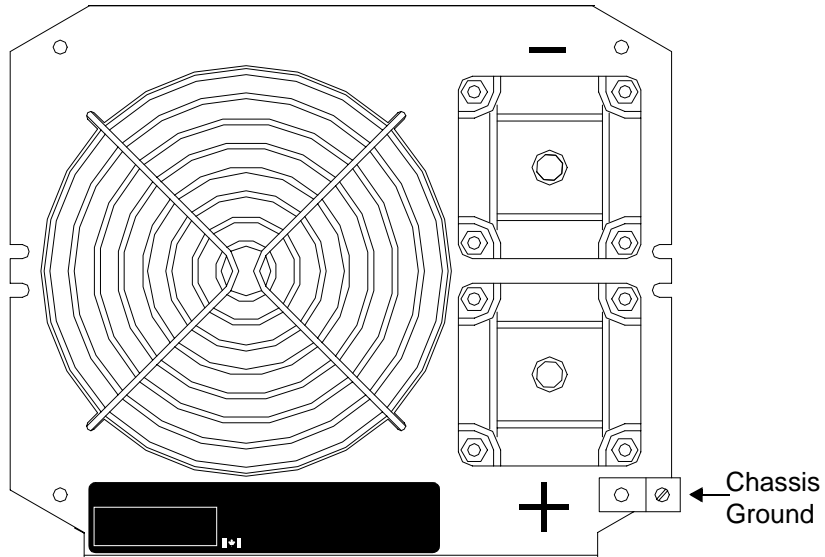


### **WARNING: Electrical Shock Hazard**

Never operate the PROwatt 3000 without connecting it to the ground. Electrical shock could result.

---

The PROwatt 3000 has a ground lug on the outside of the rear panel as shown in [Figure 3-4](#). Follow the guidelines in “[Grounding Locations](#)” to connect the inverter's chassis to the ground.



**Figure 3-4 Rear Panel Connections**

The neutral (common) conductor of the inverter AC output circuit is connected to the chassis ground. Therefore, when the chassis is connected to ground, the neutral conductor is also grounded. This conforms to National Electrical Code requirements stating that separately derived AC sources (such as inverters and generators) must have their neutral conductors tied to the ground in the same way that the neutral conductor from the utility line is tied to the ground at the AC breaker panel.

## Grounding Locations

The chassis ground terminal must be connected to a grounding point. The grounding point varies depending on where you install the PROwatt 3000. Follow the guidelines that correspond to your type of installation:

**Recreational Vehicle** Connect the chassis ground lug to the vehicle's chassis using 8 AWG copper wire (preferably with green/yellow insulation) or larger.

**Marine** Connect the chassis ground lug to the boat's DC grounding bus or the engine's negative bus using 2 AWG copper wire that is bare or has insulation rated at 90° C.

**Fixed Location (residential, for example)** Connect the chassis ground lug to your system's DC grounding point using 2 AWG wire. The system's grounding point is usually the AC service entrance grounding point or a separate ground rod. For a solar PV (photovoltaic) installation, this is usually the same rod used to ground the PV array.

## Connecting DC Cables

To operate safely and effectively, the PROwatt 3000 needs proper cables, wiring, and fuses. Because the PROwatt 3000 has low-voltage, high-current input, low-resistance wiring between the battery and the inverter is essential to deliver the maximum amount of usable energy to the loads.

### Cabling Guidelines

Follow these guidelines and refer to [Table 3-1](#) to plan the DC cabling:

- Use 1/0 AWG copper (90° C insulation rating) as the smallest DC cable size. This will minimize the voltage drop between the battery and the inverter. If the cables cause an excessive voltage drop, the inverter may shut down when drawing higher currents because the voltage at the inverter input drops below 10 volts.
- Keep all cables as short as possible, and ensure that each cable between the inverter and the battery is no longer than 3 feet (1 m).
- If you must use longer cables, refer to [Table 3-1](#) for an appropriate size.
- Do not use aluminum. It has about 1/3 more resistance than copper cable of the same size, and it is difficult to make good, low-resistance connections to aluminum wire.

**Table 3-1 Recommended Wire Sizes and Lengths**

Wire Size	Wire Length Battery to Inverter one way
1/0 AWG	3 feet (0.91 m)
2/0 AWG	4 feet (1.22 m)
3/0 AWG	5 feet (1.52 m)
4/0 AWG	7 feet (2.13 m)

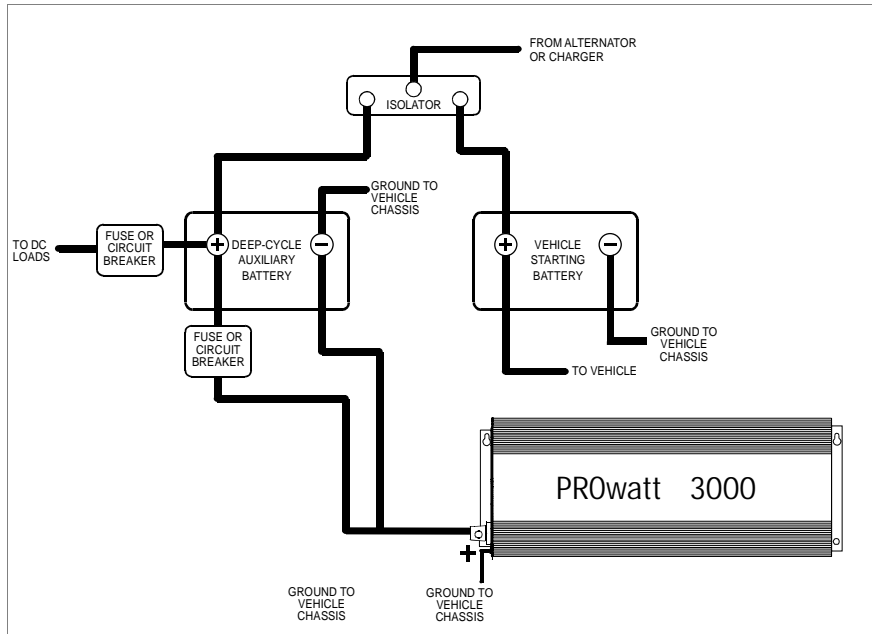
**Note:** Never use a cable longer than 7 feet.

## DC Fuses

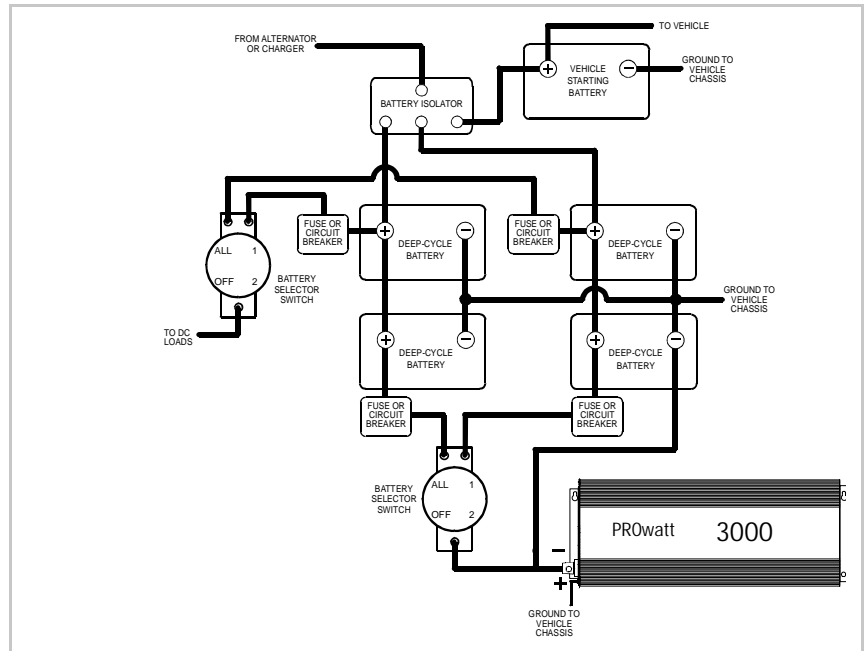
Xantrex recommends a 400 amp Class T or Class RK5 fuse such as a Bussman JJN or FRN.

## Cabling Procedure

Follow the installation procedure given below and consult [Figure 3-5](#) and [Figure 3-6](#) for additional details that are specific to your installation.



**Figure 3-5 Configuration for Normal Loads**



**Figure 3-6 Configuration for Heavy Loads**

**To connect the DC cables:**

1. Ensure that the On/Off switch on the PROwatt 3000 is off. If you are using a battery selector switch, switch it off as well.
2. Cut the cables to the correct length.
3. Strip the appropriate amount of insulation from one end of each cable and attach the connectors that will join the cables to the battery, battery isolator switch, or fuse block. The connectors you use must create a permanent, low-resistance connection.

If you are using crimp connectors, use the tool recommended by the terminal manufacturer. Make sure no stray wires protrude from the terminal. (You may find it more convenient to have the crimp connectors attached by the company that sells you the cable.)

4. For each cable end that will be connected to the inverter, strip the appropriate amount of insulation from the cable and attach the connectors that will join the cables to the cabling terminals.

5. Install a fuse and fuse holder in the cable that will be used for the positive side of the circuit. Install the fuse as close to the battery as possible. For the correct fuse type and size, see “DC Fuses” on [page 3–14.](#))
6. For each cable, place the cable connector (ring terminal or box lug) on the appropriate cabling terminal on the inverter’s DC end (positive on red; negative on black), and then install the lock washer and nut that are supplied. Tighten the nut to a torque of 9–10 foot pounds (12–13 Nm). See [Figure 3-4.](#)
7. Place the two plastic terminal connector covers (boots) over the cabling terminals and attach each boot with two screws (supplied).
8. Attach the connector on the negative cable to the negative battery terminal. Make a secure connection. Loose connectors cause excessive voltage drop and may cause overheated wires and melted insulation.



**CAUTION: Reverse Polarity**

Power connections to the PROwatt 3000 must be positive to positive and negative to negative.

A reverse polarity connection (positive to negative) will blow a fuse in the inverter and may permanently damage the unit. Damage caused by a reverse polarity connection is not covered by your warranty.

- 
9. Before proceeding, make sure that the cable you have just installed connects the negative terminal of the inverter to the negative terminal of the battery.



**WARNING: Explosion or Fire**

Do not complete the next step if flammable fumes are present. Explosion or fire may result. Thoroughly ventilate the battery compartment before making this connection.

- 
10. Connect the cable from the positive (red) terminal of the PROwatt 3000 to the positive terminal of the battery.  
This is the last cable connection. A spark is normal when you make it.
  11. If you have installed a battery selector switch, use it to select one of the batteries or battery banks.



12. Turn on the inverter's On/Off switch.
13. Check the front panel of the inverter. The **VOLTS** indicator should read 12–13 volts, depending on the voltage of the battery. If it does not, check your battery and the connection to the inverter. The other indicators should be off.



# 4

## Operation

[Chapter 4](#) explains how to operate the PROwatt 3000 most efficiently. Specifically, this chapter:

- Gives procedures for operating the inverter from the front panel and from the remote On/Off switch
- Discusses operating limits
- Provides information about routine maintenance
- Discusses battery charging frequency

## Turning the Inverter On and Off

The On/Off switch on the inverter's front panel turns the control circuit in the PROwatt 3000 on and off.

**To turn the inverter on and off from its front panel:**

- Turn the inverter's On/Off switch on or off.



**WARNING: Electrical Shock Hazard**

The inverter's On/Off switch does not disconnect power from the PROwatt 3000.

---

## Using the Remote On/Off Switch

**To operate the inverter from the remote On/Off switch:**

1. Turn On the inverter's On/Off switch. The inverter is now On and the **INVERTER ON** indicator on the remote switch lights up.

---

**Note:** Leave this switch on during operation. Turning it off disables the remote switch.

---

2. Press the touch control button on the remote switch to turn the inverter off. The **INVERTER ON** indicator goes off.

Press the button again if you want to turn the inverter On.

## Turning the Inverter Off Between Charges

When the On/Off switch is on but no power is being supplied to a load, the inverter draws less than 600 mA from the battery. This is a low current draw. It would take more than a week to discharge a 100 Ah battery at this current, so you don't have to worry about excessive drain on your battery if you leave the inverter switched on for a few days.

If you are not planning to recharge your battery within a week or so, switch the inverter off. When the switch is Off, the inverter draws less than 200  $\mu$ A from the battery.

## Operating Several Loads at Once

If you are going to operate several loads at the same time, turn them on separately after you have turned the inverter on. This will ensure that the inverter does not have to deliver the starting current for all the loads at once.

## Resetting the AC Circuit Breaker

If you are powering loads using the AC receptacle on the PROwatt 3000's front panel, the built-in circuit breaker limits the output power to 1700 watts (15 amps). If the breaker trips while you are powering loads from this receptacle, reduce the size of the load. Reset the circuit breaker.

## Reading the Front Panel Indicators

### Battery Voltage Indicator

The battery **VOLTS** indicator shows the voltage at the input terminals of the PROwatt 3000. At low input currents, this voltage is very close to the battery voltage. At high input currents, this voltage is lower than the battery voltage because of the voltage drop across the cable and connection.

- During operation, the voltage should remain in the green area.
- If voltage goes into the top or bottom red area, the inverter may shut down.

### Battery Current Indicator

The **AMPS** indicator shows the current that the inverter is drawing from the battery. It does not indicate current drawn by other loads also connected to the battery.

- For long-term operation, the current should remain in the green area.
- Short-term operation is possible with the current in the yellow area.
- If the current rises to the red area, the inverter reduces its output voltage to protect itself and will shut down soon after.

## OVER TEMP Indicator (and Alarm)

The **OVER TEMP LED** (light emitting diode) and audible alarm indicate that the inverter has shut itself down because it has overheated. The inverter may overheat because it has been operated at power levels above its continuous output rating, or because it has been installed in a location that does not allow it to dissipate heat properly. The inverter will restart automatically once it has cooled off.

## OVER LOAD Indicator

The **OVER LOAD LED** indicates that the inverter has shut itself down because of severe overload, an AC wiring fault or a short circuit.

If the **OVER LOAD LED** comes on, turn off the On/Off switch, correct the fault condition, and then turn the switch back on.

Do not turn the inverter on again until you have corrected the fault condition.

## Operating Limits

### Power Output

The PROwatt 3000 can deliver 3000 watts (26 amps) for 5 minutes or 2500 watts (22 amps) continuously at 77° F (25° C) when the input voltage is between 12 and 14 volts.

The wattage rating applies to resistive loads such as incandescent lights while the current rating applies to reactive loads such as motors.

## Input Voltage

The input voltage limits are shown in the following table.

Operating Condition	Voltage Range	Comment
Normal	10 V–15 V	
Peak Performance	12 V–14.5 V	
Low Voltage Alarm	Voltage is 10.7 V or less	The audible low battery alarm sounds and the <b>VOLTS</b> indicator is in the lower red area.
Low Voltage Shutdown	Voltage is less than 10 V	The inverter shuts down to protect the battery from being deeply-discharged.
High Voltage Shutdown	Voltage is 15 V or more	The inverter shuts down to protect itself from excessive input voltage. The <b>VOLTS</b> indicator is in the upper red area. <b>Note:</b> Although the PROwatt 3000 incorporates over-voltage protection, it can still be damaged if input voltage exceeds 16 V.
Unit restarts after low voltage shutdown		The inverter will not restart unless the battery voltage is acceptable for running the load.

## Inverter Loads

The PROwatt 3000 will operate most AC loads within its power rating (3000 watts / 26 amps). However, some appliances and equipment may be difficult to operate, and other appliances may actually be damaged if you try to operate them with the PROwatt 3000. Please read [“Problem Loads”](#) and [“Trouble Loads”](#) carefully.

### Problem Loads

Some induction motors used in freezers, pumps, and other motor-operated equipment need high surge currents to start. The PROwatt 3000 may not be able to start some of these motors even though their rated current draw is within the inverter’s limits. The PROwatt 3000 will normally start single-phase induction motors rated at 1 horsepower or less.

If a motor refuses to start, observe the **VOLTS** indicator while trying to start the motor. If the indicator drops below 11 V while the PROwatt 3000 is trying to start the motor, this may be why the motor won’t start. Make sure that the battery connections are good and that the battery is fully charged. If the connections are good and the battery is charged, but the voltage still drops below 11 V, you may need to use a larger battery.

### Trouble Loads



#### CAUTION

Some equipment may be damaged by the PROwatt 3000’s quasi-square wave output.

---

Some appliances, including the types listed below, may be damaged if they are connected to the PROwatt 3000:

- Electronics that modulate RF (radio frequency) signals on the AC line will not work and may be damaged.
- Speed controllers found in some fans, kitchen appliances, and other loads may be damaged.
- Some rechargers for small nickel-cadmium batteries can be damaged. See [“Precautions For Using Rechargeable Appliances”](#) on [page xii](#) for details.

If you are unsure about powering any device with the PROwatt 3000, contact the manufacturer of the device.



## Battery Charging Frequency

When possible, recharge your batteries when they are about 50% discharged or earlier. This gives them a much longer life cycle than recharging when they are almost completely discharged. For information about battery chargers, see our web site at [www.xantrex.com](http://www.xantrex.com)

## Routine Maintenance

Minimal maintenance is required to keep your PROwatt 3000 operating properly. Periodically you should:

- Clean the exterior of the unit with a damp cloth to prevent the accumulation of dust and dirt
- Ensure that the DC cables are secure



# 5

## Troubleshooting

[Chapter 5](#) will help you identify the source of most problems that can occur with the PROwatt 3000.

If you have a problem with the inverter, please review this chapter before contacting Xantrex Customer Service.

If you are unable to solve a problem and need to contact Xantrex, record the information that is asked for in [“Information About Your System”](#) on [page D-4](#). This will help our Customer Service Representatives give you better service.

## Common Problems

### Buzz in Audio Equipment

Some inexpensive stereo systems emit a buzzing noise from their loudspeakers when operated from the PROwatt 3000. This occurs because the power supply in the audio system does not adequately filter the modified sine wave produced by the inverter. The only solution is to use a sound system that has a higher quality power supply.

### Television Reception

When operating, the PROwatt 3000 can interfere with television reception on some channels. If interference occurs, try the following:

1. Make sure that the chassis ground lug on the rear of the PROwatt 3000 is solidly connected to the ground system of your vehicle, boat, or home.
2. Make sure that the television antenna provides an adequate (“snow-free”) signal and that you are using good quality cable between the antenna and the television.
3. Keep the cables between the battery and the PROwatt 3000 as short as possible and twist them together with two to three twists per foot. (This minimizes radiated interference from the cables.)
4. Move the television as far away from the PROwatt 3000 as possible.
5. Do not operate high power loads with the PROwatt 3000 while the television is on.

# Troubleshooting Reference



## WARNING: Electrical Shock and Burn Hazard

Do not dismantle the PROwatt 3000. It does not contain any user-serviceable parts. Attempting to service the unit yourself could result in an electrical shock or burn.

**Table 5-1 Troubleshooting Reference**

Problem	Possible Cause	Solution
Low output voltage (96 Vac–104 Vac)	You are using a voltmeter that cannot accurately read the RMS voltage of a modified sine wave.	Use a true RMS reading voltmeter.
Low output voltage and the <b>AMPS</b> indicator is in the red area.	Overload	Reduce the load.
No output voltage and the <b>VOLTS</b> indicator is in the lower red area.	Low input voltage	Recharge the battery; check the connections and cable.
No output voltage; no voltage indication.	The inverter is off. No power to the inverter.  Inverter fuse open.  Reverse DC polarity.	Turn the inverter on. Check wiring to the inverter and the battery fuse. Have a qualified service technician check and replace the fuse if necessary. Have a qualified service technician check and replace the fuse, making sure to observe correct polarity.
No output voltage and the <b>VOLTS</b> indicator is in the upper red area.	High input voltage.	Make sure the PROwatt 3000 is connected to a 12 V battery. Check the voltage regulation of the charging system.
Low battery alarm stays on and the voltage indicator is below 11 V.	Poor DC wiring; poor battery condition.	Use proper cable and make solid connections. Charge the battery. Install a new battery.

**Table 5-1 Troubleshooting Reference**

Problem	Possible Cause	Solution
No output voltage; the <b>OVER TEMP</b> indicator is on; load is more than 2500 W / 22 A output current. The <b>AMPS</b> indicator is showing high battery current.	Thermal shutdown.	Allow the inverter to cool off. Reduce the load if continuous operation is required.
No output voltage; the <b>OVER TEMP</b> indicator is on; the load is less than 3000 W / 26 A output current.	Thermal shutdown.	Improve ventilation; make sure the PROwatt 3000's ventilation openings are not obstructed; reduce the ambient temperature.
No output voltage; the <b>OVER LOAD</b> indicator is on.	Short circuit or wiring error.  Very high power load.	Check the AC wiring for a short circuit. Remove or reduce the load.

# A

## Specifications

[Appendix A](#) contains electrical and physical specifications for the PROwatt 3000 and its remote On/Off switch.

## Electrical Performance (Inverter)

Output power at 77° F (25° C) ambient and 12 Vdc input:	
• 5 minutes	3000 W
• Continuous power	2500 W
Output voltage	115 Vac RMS ±5%
Output waveform	Modified sine wave (quasi-square)
Output frequency	60 Hz ±0.01%
Input voltage	10–15 Vdc
Low battery alarm	Audible, 10.7 V
Low battery cutout	10.0 V
Efficiency	Approximately 85–90%
No load current draw	<0.6 A

## Physical (Inverter)

Length	18.5 inches (47 cm)
Width	8 inches (20.5 cm)
Height	6.25 inches (16 cm)
Weight	20 lb (9 kg)

## Dimensions (Remote On/Off Switch)

Length	4.25 inches (10.80 cm)
Width	2.5 inches (6.35 cm)
Depth	0.7 inches (1.8 cm)
Cable Length	20 ft (6 m)

Specifications are subject to change without notice.



# B

## Alternators and Charging Systems

A good charging system is important for the health of your batteries. Poor recharging methods can quickly damage them.

[Appendix B](#) provides guidelines for recharging batteries from an alternator, from AC power, and from alternate energy sources.

## Charging System Requirements

Your charging system should be capable of delivering a charging current equal to 25% of the amp-hour capacity of your battery. For example, if you have a 200 Ah battery, the charging system should be able to deliver 50 amps. The charging system must also be able to charge each 12 volt battery up to approximately 14.4 V and then drop back to a “float” voltage of 13.5–14 V (or shut off).



### CAUTION

Never operate the PROwatt 3000 directly from an alternator. To work properly, the inverter must be connected to a battery or a well-regulated, high-current DC power supply.

---

## Charging With an Engine Alternator

Read the following information to determine whether your vehicle’s standard alternator will be adequate by itself, whether you should install an alternator controller, or whether you need a high-output alternator.

### Using a Standard Vehicle Alternator

A typical engine alternator (12 volts) may not be able to meet the requirements outlined above if your system uses large capacity batteries. Alternators are typically rated for the current they can deliver when they are cold. In use, alternators heat up, and their output current capability drops by as much as 25%. Therefore, standard alternators with ratings of 40–105 amps only deliver a maximum of 30–80 amps in actual use and deliver even less as battery voltage rises. Many alternators cannot produce more than 13.6 volts when they are hot. As a result, a standard alternator may not be able to charge a large battery quickly and completely.

Two solutions are to install an alternator controller or to install a high-output alternator.

## Using an Alternator Controller

If your regular alternator is inadequate by itself, you can install an alternator controller that bypasses the voltage regulator and boosts the alternator's output voltage during charging. This will increase the alternator's charging rate at higher battery voltages and ensure more rapid and complete charging.

Alternator controllers are available from marine product dealers.

## Using a High-Output Alternator

Heavy-duty alternators rated from 100–140 A can replace standard alternators and produce the higher current and voltage required to charge multiple battery systems. They are available from RV and marine dealers as well as auto parts suppliers.

## Charging From AC Power

When recharging from AC power, use a good quality marine battery charger or RV converter that meets the requirements outlined in “[Charging System Requirements](#)” on page B–2. For information about battery chargers, visit our web site at [www.xantrex.com](http://www.xantrex.com)

Do not use chargers intended for occasional recharging of automotive starting batteries. These chargers are not intended for continuous use.

## Charging From Alternative Energy Sources

You can also charge your batteries from alternative energy sources such as solar panels, wind, or hydro systems. Make sure you use the appropriate battery charge controller for your particular energy source.



### CAUTION

Never operate the PROwatt 3000 directly from an energy source such as a solar panel. The inverter must be connected to a battery or a well-regulated, high-current DC power supply to work properly.

---



# C

## Battery Types and Sizes

The batteries you use strongly affect the performance of the PROwatt 3000. It is important to connect the inverter to the correct size and type of battery.

The information in [Appendix C](#) will help you select, connect, and maintain batteries that are most appropriate for your application.

# Battery Types

## Automotive Starting Batteries

The lead-acid battery you are most familiar with is probably the starting battery in your automobile. An automotive starting battery is designed to deliver a large amount of current for a short period of time (so it can start your engine). Only a small portion of the battery's capacity is used when starting the engine, and it is quickly recharged by the running engine.

This type of battery is not designed for repeated cycles where the battery is almost completely discharged and then recharged. If it is used in this kind of deep discharge service, it will wear out very rapidly.

## Deep-Cycle Lead-Acid Batteries

Deep-cycle lead-acid batteries are designed for deep discharge service where they will be repeatedly discharged and recharged. They are marketed for use in recreational vehicles, boats, and electric golf carts—so you may see them referred to as RV batteries, marine batteries, or golf cart batteries.

For most applications of the PROwatt 3000, Xantrex recommends that you use one or more deep-cycle batteries that are separated from the vehicle's starting battery by a battery isolator.

A battery isolator is a solid-state electronic circuit that allows equipment to be operated from an auxiliary battery without danger of discharging the vehicle's starting battery. During vehicle operation, the battery isolator automatically directs the charge from the alternator to the battery requiring the charge. [Figure C-1](#) and [Figure C-2](#) show a battery isolator in configurations for normal and heavy-duty loads.

Battery isolators are available at marine and RV dealers and most auto parts stores.

---

## Battery Size



### CAUTION

The PROwatt 3000 must only be connected to batteries with a nominal output voltage of 12 volts. The PROwatt 3000 will not operate from a 6 volt battery and will be damaged if connected to a 24 volt battery.

---

#### Importance

Battery size or capacity is as important as the battery type for efficient operation of your loads. Xantrex recommends that you purchase as much battery capacity as possible.

#### Battery Capacity Standards

A number of different standards are used to rate battery energy storage capacity. Automotive and marine starting batteries are normally rated in cranking amps. This is not a relevant rating for continuous loads like an inverter. Deep-cycle batteries use a more suitable rating system, either “amp-hours” (“Ah”) or “reserve capacity” in minutes.

**Battery Reserve Capacity** Battery reserve capacity is a measure of how long a battery can deliver a certain amount of current—usually 25 amps. For example, a battery with a reserve capacity of 180 minutes can deliver 25 amps for 180 minutes before it is completely discharged.

**Amp-hour (Ah) Capacity** Amp-hour capacity is a measure of how many amps a battery can deliver for a specified length of time—usually 20 hours. For example, a typical marine or RV battery rated for 100 Ah can deliver 5 amps for 20 hours ( $5 \text{ A} \times 20 \text{ hours} = 100 \text{ Ah}$ ).

This same battery can deliver a higher or lower current for less or more time, limited approximately by the 100 Ah figure (for example, 50 A for 2 hours, or 200 A for 1/2 hour), but usually the capacity figure given is only accurate at the specified rate (20 hours).

To calculate the battery capacity you require, read [“Estimating Battery Requirements” on page C-4](#) and [“Battery Sizing Example” on page C-4](#), and then complete the [“Battery Sizing Worksheet” on page C-5](#).

# Estimating Battery Requirements

**To determine how much battery capacity you need:**

1. Determine how many watts are consumed by each appliance that you will operate from the PROwatt 3000. You can normally find this on a label on the product. If only the current draw is given, multiply it by 115 to get the power consumption in watts.
2. Estimate how many hours each appliance will be operating each day.
3. Calculate the daily watt-hours needed for each appliance.
4. Add the total number of watt-hours needed for all the appliances and multiply it by the number of days between charges.
5. Divide the total watt-hours of AC load between charges by 10. This gives the battery Ah used between charges.
6. Double the total Ah used between charges to get the recommended battery size in Ah.

See the battery sizing example that follows.

## Battery Sizing Example

This battery sizing example illustrates a typical calculation, assuming an opportunity to charge the batteries every three days.

Appliance	(A) Power Consumption	(B) Operating Time per Day	Daily watt-hours needed for this appliance (= A x B)
TV & VCR	115 W	3 hours	345 Wh
Microwave oven	1500 W	15 min = 1/4 hour	375 Wh
3 lamps, 60 W each	180 W	4 hours	720 Wh
Coffee maker	750 W	15 min = 1/4 hour	187.50 Wh
Coffee grinder	100 W	1 min = 1/60 hour	16.70 Wh
Hair dryer	1500 W	6 min = 1/10 hour	150 Wh
Sewing machine	150 W	30 min = 1/2 hour	75 Wh
Washing machine	1500 W	30 min = 1/2 hour	750 Wh
Steam iron	700 W	6 min = 1/10 hour	70 Wh
Total daily watt-hours of AC load			2689.20 Wh
x Number of days between charges			3
= Total watt-hours of AC load between charges			8067.60 Wh
Battery Ah used between charges (divide by 10)			806.70 Ah
<b>Recommended Battery Bank Size in Ah (multiply by 2)</b>			<b>1613.40 Ah</b>



This example illustrates how quickly your battery needs can escalate. To reduce the required battery size, you can conserve energy by eliminating or reducing the use of some loads or by re-charging more frequently.

When sizing your battery, resist the temptation to skip the last step of this calculation (multiplying by 2). More capacity is better since you will have more reserve capacity, be better able to handle large loads and surge loads, and your battery won't be discharged as deeply. Battery life is directly dependent on how deeply the battery is discharged. The deeper the discharge, the shorter the battery life.

## Battery Sizing Worksheet

Use the following worksheet to calculate your battery needs. To ensure sufficient battery capacity, be generous when estimating the operating time per day for each of the loads you will run.

Appliance	(A) Power Consumption	(B) Operating Time per day	Daily watt- hours needed for this appliance (= A x B)
	W	hours	Wh
	W	hours	Wh
	W	hours	Wh
	W	hours	Wh
	W	hours	Wh
	W	hours	Wh
	W	hours	Wh
	W	hours	Wh
Total daily watt-hours of AC load			Wh
x Number of days between charges			
= Total watt-hours of AC load between charges			Wh
Battery Ah used between charges (divide by 10)			Ah
<b>Recommended Battery Bank Size in Ah (multiply by 2)</b>			<b>Ah</b>

## Using Multiple Batteries

As your power requirements increase, you may need to use more than one battery to obtain sufficient capacity. Read [“Two Batteries Connected In Parallel”](#) and [“Two Separate Battery Banks”](#) to determine whether two batteries or two battery banks are more appropriate for your applications.

### Two Batteries Connected In Parallel

Two identical batteries can be connected positive (+) to positive (+) and negative (-) to negative (-) in a parallel system. A parallel system doubles capacity and maintains the voltage of a single battery.

Both [Figure C-1](#) and [Figure C-2](#) show batteries connected in parallel. [Figure C-1](#) shows a battery configuration suitable for normal loads; [Figure C-2](#) shows a configuration that is recommended for heavy loads.



#### CAUTION

Do not connect the following in parallel: batteries made by different manufacturers, different types of batteries, batteries that have different Ah ratings. Decreased battery life and improper charging will result.

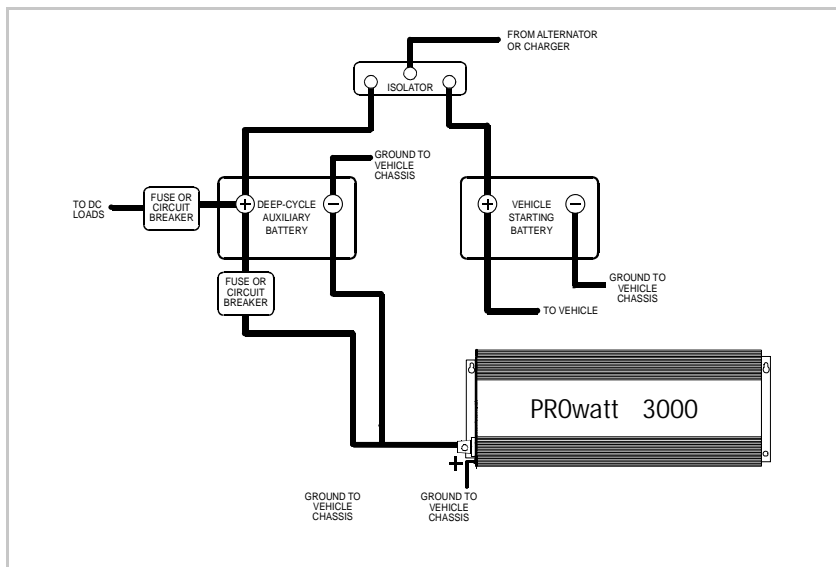


Figure C-1 Configuration for Normal Loads

## Two Separate Battery Banks

If you need more than two batteries (or are using different makes or models of batteries), Xantrex recommends that you install two separate battery banks and a battery selector switch.

Figure C-2 shows two separate battery banks and a battery selector switch. This configuration is recommended for heavy-duty applications.

### Battery Selector Switch

By installing a battery selector switch, you can select between the two battery banks, use both banks in parallel, or disconnect both banks from the load. Battery selector switches are available at marine and RV dealers.

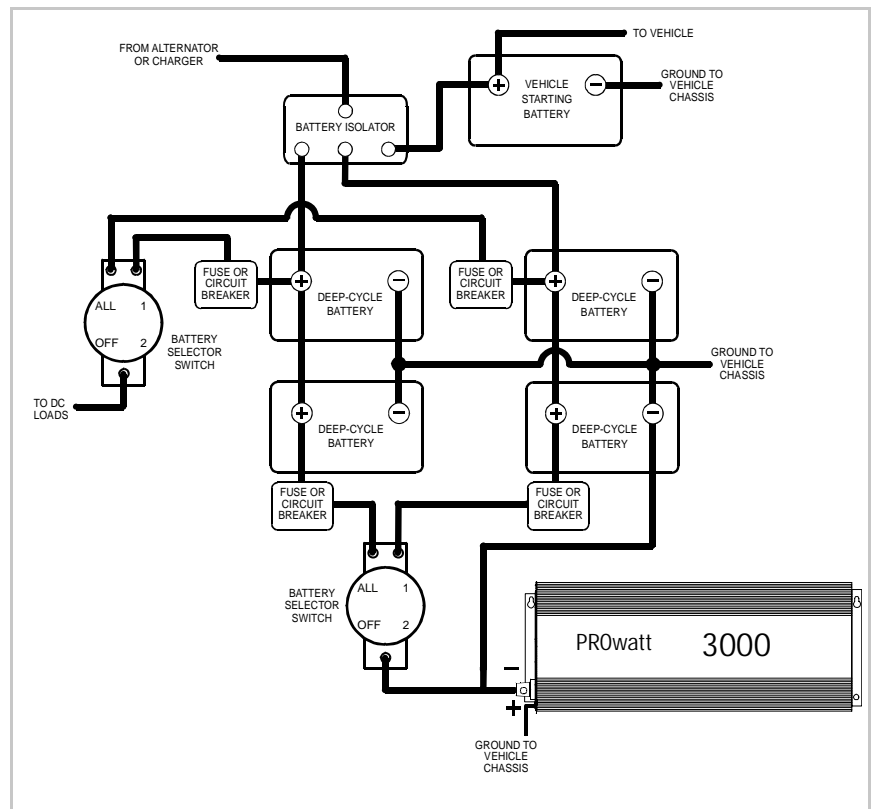


Figure C-2 Configuration for Heavy Loads

## Battery Tips

---



### WARNING

Review “[Precautions When Working With Batteries](#)” on [page xii](#) before you work with the batteries in your system.

---

**Explosive/Corrosive Gases** Lead-acid batteries may emit hydrogen, oxygen, and sulfuric acid fumes when recharging. To reduce the risk of explosion:

- Vent the battery compartment to prevent the accumulation of gases.
- Do not install electronic or electrical equipment in the battery compartment.
- Do not smoke or use an open flame when working around batteries.

**Temperature Sensitivity** The capacity of lead-acid batteries is temperature sensitive. Battery capacity is rated at 77° F (25° C). At 0° F (–20° C), the Ah capacity is about half the rated capacity. You should consider temperature when designing your system.

- **Low Temperatures** If extremely low temperatures are expected where the inverter is going to be located, you should consider a heated equipment room. If the system is located in an unheated space, an insulated battery enclosure is recommended.
- **High Temperatures** The batteries should also be protected from high temperatures. These can be caused by high ambient temperatures, solar heating of the battery enclosure, or heat released by a nearby engine or generator. High battery temperatures shorten battery life and therefore you should ventilate the enclosure and use shade and insulation as appropriate.

**Discharged Batteries** Do not leave batteries in a discharged state for more than a day or two. They will undergo a chemical process (sulfation) that can permanently damage the battery. As well, batteries self-discharge over a period of three to six months, so they should be recharged periodically even if they are not being used.

**Electrolyte Level** If your batteries are not the “maintenance-free” type, check the electrolyte level at least once a month. Excessive fluid loss is a sign of overcharging. Replenish the electrolyte using distilled water only.

---

**Battery Connections** Connections to battery posts must be made with permanent connectors that provide a reliable, low-resistance connection. Do not use alligator clips. Clean the connections regularly and prevent corrosion by using a protective spray coating or vaseline.

**Battery State of Charge** You can measure battery state of charge with a hydrometer or, more easily, with a voltmeter. Use a digital voltmeter than can display tenths or hundredths of a volt when measuring 10 to 30 volts. Make your measurements when the battery has not been charged or discharged for several hours. For a deep-cycle battery at 77° F (25° C), use the following table:

Battery Voltage	State of Charge
12.7–13.0	100%
12.5–12.6	80%
12.3–12.4	60%
12.1–12.2	40%
11.9–12.0	20%



# D

## Product and System Information

[Appendix D](#) contains the warranty for your PROwatt 3000 as well as instructions for returning the product for servicing.

[Appendix D](#) also has a place where you can record information about your system in case you need to contact Customer Service.

## Warranty

**What does this warranty cover?** Xantrex manufactures its products from parts and components that are new or equivalent to new, in accordance with industry-standard practices. This warranty covers any defects in workmanship or materials.

**How long does the coverage last?** This warranty lasts for twelve months from the date of purchase. Implied warranties of merchantability and fitness for a particular purpose are limited to twelve months from the date of purchase. Some jurisdictions do not allow limitations on how long an implied warranty lasts, so the above limitation may not apply to you.

**What does this warranty not cover?** This warranty will not apply where the product has been misused, neglected, improperly installed, physically damaged or altered, either internally or externally, or damaged from improper use or use in an unsuitable environment. Xantrex does not warrant uninterrupted operation of its products. Xantrex shall not be liable for damages, whether direct, incidental, special, or consequential, or economic loss even though caused by the negligence or fault of Xantrex. Some jurisdictions do not allow the exclusion or limitation of incidental or consequential damages, so the above limitation or exclusion may not apply to you.

**What will Xantrex do?** Xantrex will, at its option, repair or replace the defective product free of charge. Xantrex will, at its own option, use new and/or reconditioned parts made by various manufacturers in performing warranty repair and building replacement products. If Xantrex repairs or replaces a product, its warranty term is not extended. Xantrex owns all parts removed from repaired products.

**How do you get service?** To qualify for the warranty, dated proof of purchase must be provided and the product must not be disassembled or modified without prior authorization by Xantrex. If your product requires warranty service, please return it to the place of purchase along with a copy of your dated proof of purchase. If you are unable to contact your merchant, or the merchant is unable to provide service, contact Xantrex directly at:

**Phone:** 1-800-670-0707

**Fax:** 1-800-994-7828

**Email:** [support.prowatt@xantrex.com](mailto:support.prowatt@xantrex.com)



## Return Material Authorization Policy

You must obtain a Return Material Authorization (RMA) number from Xantrex before returning a product directly to Xantrex. Products returned without an RMA number or shipped collect will be refused. When you contact Xantrex to obtain service, be prepared to supply:

- The serial number of your product
- Its date of purchase
- Information about the installation and use of the unit

Record these details in [“Information About Your System”](#) on page D-4.

## Return Material Procedure

If you are returning a product from the USA or Canada, follow this procedure:

1. Contact Xantrex to obtain an RMA number and a shipping address.
2. Package the unit safely, preferably using the original box and packing materials. Include the following:
  - The RMA number supplied by Xantrex
  - A copy of your dated proof of purchase
  - A return address where the repaired unit can be shipped
  - A contact telephone number
  - A brief description of the problem
3. Ship the unit freight prepaid to the address provided in step 1. Collect shipments will be refused.

**How do other laws apply?** This warranty gives you specific legal rights, and you may also have other rights which vary from jurisdiction to jurisdiction.

**For our Canadian customers:** When used herein “implied warranties of merchantability and fitness for a particular purpose” includes all warranties and conditions, express or implied, statutory or otherwise, including without limitation implied warranties and conditions of merchantability and fitness for a particular purpose.

## Information About Your System

As soon as you open your PROwatt 3000 package, record the following information and be sure to keep your proof of purchase.

- Serial Number (on DC end) \_\_\_\_\_
- Purchased From \_\_\_\_\_
- Purchase Date \_\_\_\_\_

If you need to contact Customer Service, please record the following details before calling. This information will help our representatives give you better service.

- Type of installation (e.g. RV, boat, home) \_\_\_\_\_
- Length of time inverter has been installed \_\_\_\_\_
- Battery/battery bank size \_\_\_\_\_
- Battery type (e.g. flooded, sealed gel cell, AGM) \_\_\_\_\_
- DC wiring size and length \_\_\_\_\_
- Alarm sounding? \_\_\_\_\_
- Description of indicators on front panel \_\_\_\_\_
- Appliances operating when problem occurred \_\_\_\_\_
- Description of problem \_\_\_\_\_
- \_\_\_\_\_
- \_\_\_\_\_

# Remote On/Off Switch Mounting Template

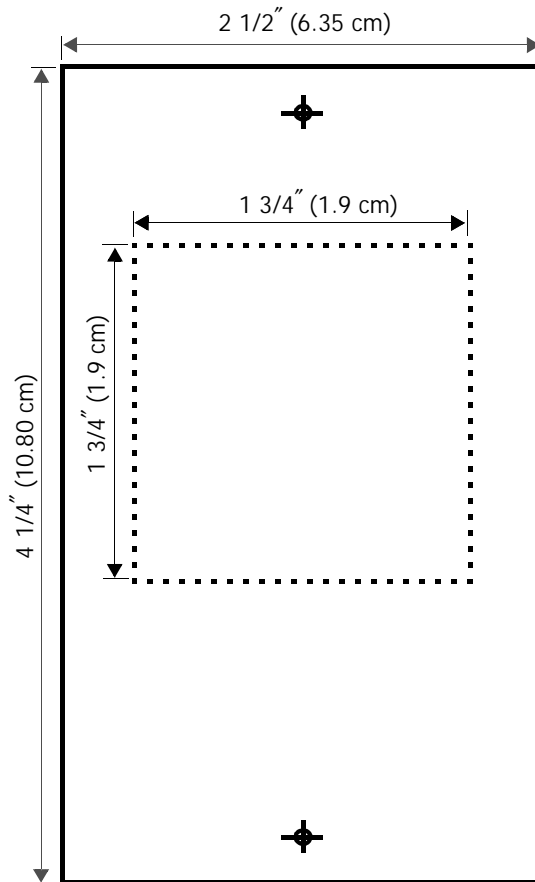


Figure D-1 Remote On/Off Switch Mounting Template



# Index

## A

- AC receptacle 2-3, 2-5, 3-7
- AC wiring
  - color coding 3-6
  - connecting to an AC circuit 3-6, 3-7
  - knockout for 2-5, 3-7
  - procedure 3-7
- Ah. See amp-hour capacity.
- air compressors 1-2
- air conditioners 1-2
- alarm
  - low battery 1-3, 4-5, 5-3
  - low voltage 4-5
  - OVER TEMP 4-4
- alternator
  - high-output 3-3, B-3
  - vehicle alternator B-2
- alternator controller 3-3
  - described B-3
  - installing B-3
- amp-hour (Ah) capacity C-3
- AMPS indicator 2-4, 4-3, 5-3, 5-4
- appliances
  - air conditioners 1-2
  - battery-operated xii
  - current draw C-4
  - fans 4-6
  - possible damage to 4-6
  - power consumption C-4, C-5
  - rechargeable xii
  - televisions 1-2
  - VCRs 1-2
- audio equipment, buzz in 5-2

## B

- batteries
  - amp-hour (Ah) capacity C-3
  - automotive starting C-2, C-3
  - charging frequency 4-7
  - connecting 2 in parallel C-6
  - deep-cycle lead-acid C-2
  - depth of discharge C-5
  - discharged C-8
  - electrolyte level C-8
  - golf cart C-2
  - marine C-2
  - nickel-cadmium xii, 4-6
  - parallel connection illustrated C-6
  - reserve capacity C-3, C-5
  - routine maintenance 4-7
  - RV C-2
  - self-discharge C-8
  - temperature sensitivity C-8
  - using 2 battery banks C-7
  - using multiple C-6
- battery banks
  - described C-7
  - illustrated C-7
- battery chargers 4-7
  - for nickel-cadmium batteries xii
  - recommended types B-3
- battery connections C-9
- battery demand, standby 1-2, 4-2, A-2
- battery isolator
  - component 3-3
  - using C-2
- battery reserve capacity C-3
- battery selector switch 3-16, C-7
- battery size
  - estimating example C-4

estimating worksheet C-5  
estimating your needs 3-4, C-3, C-4

## C

cable clamp 2-2, 3-3, 3-7  
cables. See DC cables.  
charging  
    from AC power B-3  
    from alternative energy sources B-3  
    with engine alternator B-2  
charging frequency for batteries 4-7  
charging systems  
    designing a system 3-4, B-2  
    requirements B-2  
chassis ground  
    for fixed locations 3-13  
    for marine installations 3-12  
    for photovoltaic (PV) installations 3-13  
    for recreational vehicles 3-12  
    guidelines for connecting 3-11  
chassis ground lug 2-7  
circuit breaker for AC receptacle 2-5, 3-6, 4-3  
communications cable  
    described 2-8  
    extending length 3-11  
    in materials list 2-2  
    maximum length 3-11  
cover plate, for wiring compartment 2-2, 3-8  
current draw, no load 1-2, 4-2, A-2  
Customer Service  
    email 2-2, D-2  
    fax number 2-2, D-2  
    phone number 2-2, D-2  
    preparing to call D-4

## D

DC cables  
    avoiding excessive lengths 3-5  
    correct polarity 3-16  
    guidelines for selecting 3-13  
    procedure for connecting 3-14

    recommended diameter and length 3-13  
DC cabling terminals 2-7  
depth of discharge (DOD) C-5

## E

electrolyte level C-8  
explosive gases xi, 3-16, C-8

## F

freezers 4-6  
fuses  
    for DC cables 3-3, 3-14  
    inverter, replacing 5-3

## G

gases  
    battery, venting 3-5  
    explosive xi, 3-16, C-8  
generators 1-2, 3-7, 3-9

## H

hardwiring 3-6  
high-output alternator  
    described B-3  
    installing B-3  
    mention 3-3  
hydrometer C-9

## I

indicators  
    AMPS 2-4, 4-3, 5-3, 5-4  
    how to read 4-3  
    INVERTER ON 2-8, 4-2  
    OVER LOAD 2-4, 4-4, 5-4  
    OVER TEMP 2-4, 4-4, 5-4  
    VOLTS 2-4, 3-17, 4-3, 5-3  
input voltage 4-5  
installation  
    codes 3-2, 3-12

materials 3–2  
 overview of steps 3–3  
 planning 3–4  
 tools 3–2  
**inverter**  
   AC receptacle 2–3, 2–5, 3–7  
   back panel features described 2–7  
   back panel illustrated 2–7  
   chassis ground lug 2–7, 3–12  
   connecting to existing AC circuit 3–6, 3–7  
   date of purchase D–3  
   electrical specifications A–2  
   front panel features described 2–4, 2–6  
   front panel illustrated 2–4, 2–6  
   hardwiring 2–3  
   input voltage 4–5  
   loads 4–6  
   mounting flanges 2–5  
   mounting location 3–5, 3–11  
   mounting orientation 3–11  
   operating several loads 4–3  
   output power 3–6  
   physical specifications A–2  
   power output 4–4  
   problem loads 4–6  
   proof of purchase D–2  
   purchase date D–4  
   serial number D–3, D–4  
   trouble loads 4–6  
   turning off 4–2  
   turning on 4–2  
   ventilation openings 2–5  
   wiring compartment 1–2, 2–6  
**INVERTER ON** indicator 2–8

## J

jack, to connect remote On/Off switch 2–5

## L

loads  
   chargers 4–6

electronics 4–6  
 fans 4–6  
 problem 4–6  
 reactive 4–4  
 resistive 4–4  
 speed controllers 4–6  
 trouble 4–6  
 low battery alarm 1–3, 4–5, 5–3

## M

materials list for PROwatt 3000 2–2  
**motors**  
   difficulty starting 4–6  
   induction 4–6  
 mounting flanges 2–5  
 mounting location 3–5  
 mounting orientation 3–11

## N

National Electrical Code requirements 3–12  
 nickel-cadmium batteries xii, 4–6

## O

**On/Off switch (front panel)**  
   illustration and description 2–4  
   using 4–2  
**On/Off switch (remote)**  
   description 2–8  
   illustrated 2–8  
   installation procedure 3–10  
   mounting template illustrated D–5  
   operating inverter from 4–2  
   part of materials list 2–2  
   specifications A–2  
   using 4–2  
 output voltage low 5–3  
**OVER LOAD** indicator 2–4, 4–4, 5–4  
**OVER TEMP** indicator 2–4, 4–4, 5–4

## P

- polarity, correct 3-6, 3-8, 3-16, 5-3
- power output 4-4
- power tools 1-2
- power tools, battery-operated xii
- precautions
  - explosive gas xi
  - when using rechargeable appliances xii
  - when working with batteries xii
- product information, recording 2-2
- proof of purchase D-2, D-4
- pumps 4-6
- purchase date D-4

## R

- reserve capacity C-3
- restart after shutdown 4-5
- Return Material Authorization number D-3
- returning products
  - how to package D-3
  - policy D-3
  - procedure D-3

## S

- safety information xi, 3-2
- serial number D-3, D-4
- servicing
  - no user-serviceable parts xi, 5-3
  - obtaining service 2-2
- shipping address D-3
- shutdown
  - from AC overload 1-3, 4-4
  - from high or low voltage 1-3, 4-3
  - from high temperature 1-3, 4-4
  - restart after 4-5
- specifications
  - inverter A-2
  - remote On/Off switch A-2
- starting batteries C-3
- state of charge C-9

## T

- television reception 5-2
- televisions 1-2
- temperature
  - ideal ambient temperature 3-5
  - reducing ambient temperature 5-4
- template (remote switch)
  - illustrated D-5
  - installing 3-10
  - using 3-10
- transfer switch (AC)
  - illustrated 3-9, 3-10
  - in materials list 3-3
  - installing 3-9
- transfer switching 3-7
- troubleshooting
  - buzz in audio equipment 5-2
  - common problems 5-2
  - reference table 5-3
  - television reception 5-2

## V

- VCRs 1-2
- ventilation xi, xii, 3-5, 5-4, C-8
- ventilation openings 2-5, 2-7, 3-11, 5-4
- voltmeter C-9
- VOLTS indicator 2-4, 3-17, 4-3, 5-3

## W

- warranty
  - and damage caused by reverse polarity 3-8, 3-16
  - obtaining service D-2
  - period of coverage D-2
  - terms and conditions D-2
- web site 2-v, 4-7, B-3
- wiring compartment 1-2, 2-2, 2-6, 3-8
  - cover plate 2-2, 3-8
  - illustrated 3-8
- wiring. See AC wiring or DC cables.



## **X**

### Xantrex

email 2-2, D-2

fax number 2-2, D-2

phone number 2-2, D-2

web site 2-v, 4-7, B-3

