



Multi-tier Ground/Roof Mount

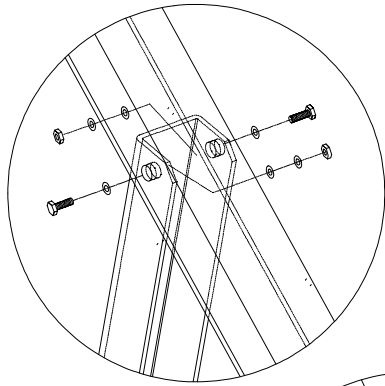


Figure 1

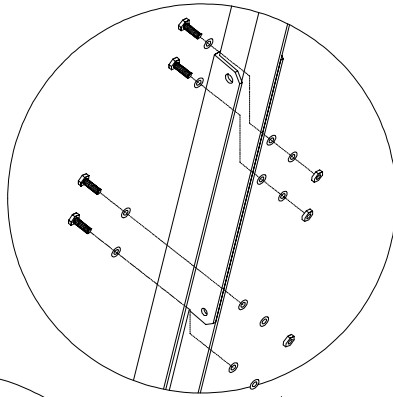


Figure 2

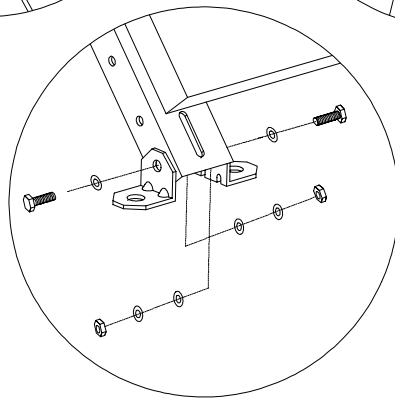
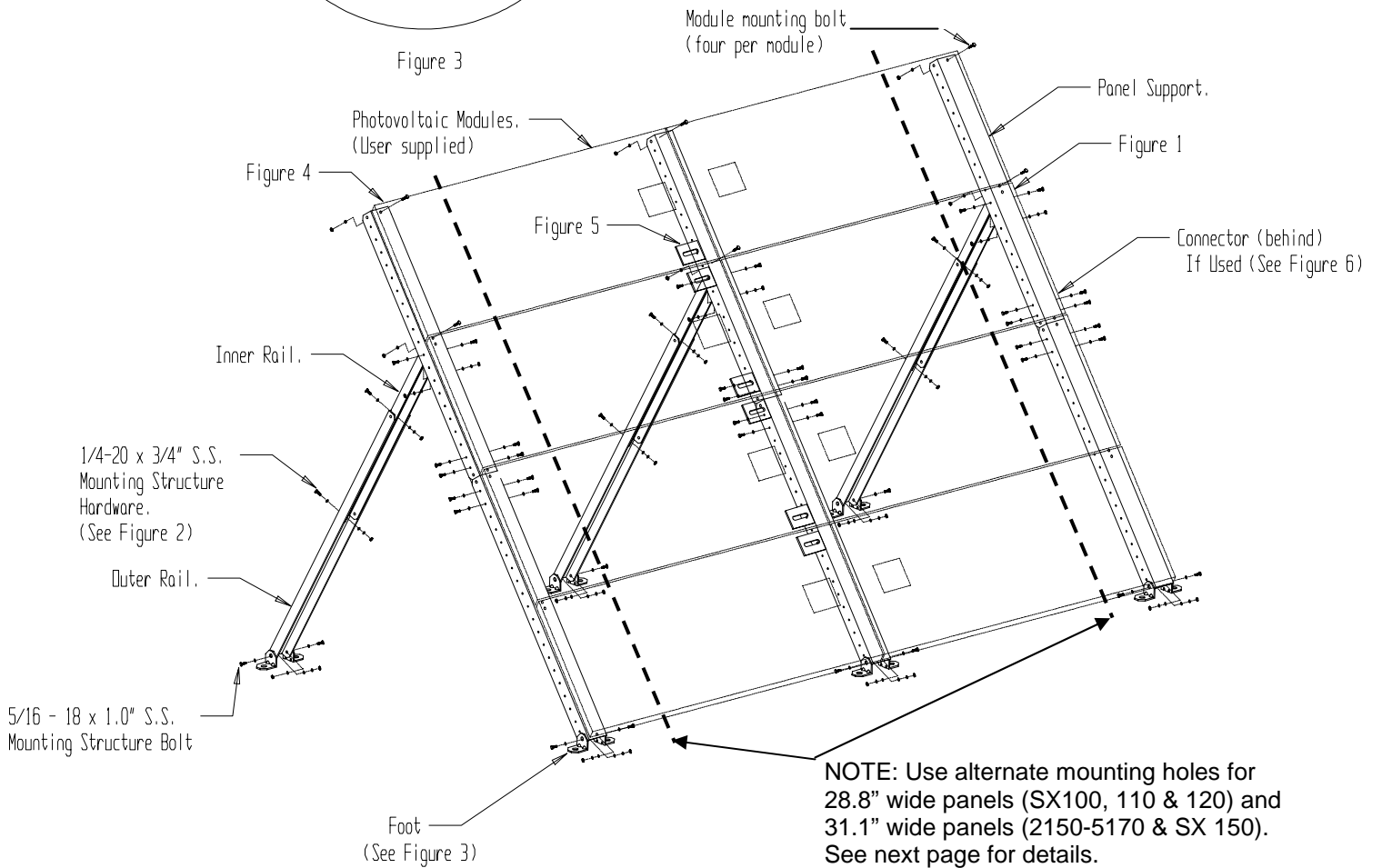


Figure 3

ITEM
Foot
Panel Support
Connector
Outer Rail
Inner Rail
1/4-20 x 3/4" SS Bolt
1/4-20 SS Flat Washer
1/4-20 SS Lock Washer
1/4-20 SS Nut
5/16-18 x 1" SS Bolt
5/16-18 SS Flat Washer
5/16-18 SS Lock Washer
5/16-18 SS Nut



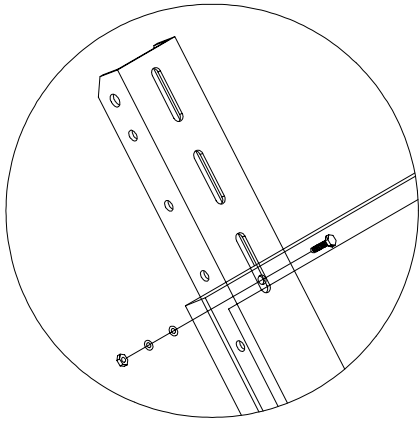


Figure 4

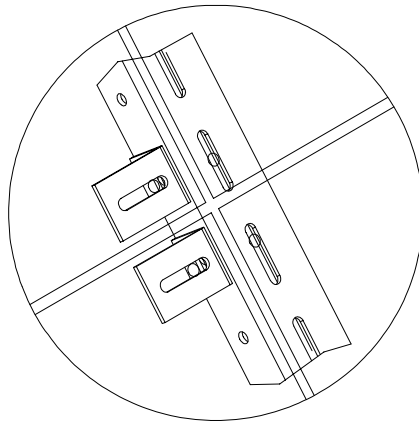


Figure 5

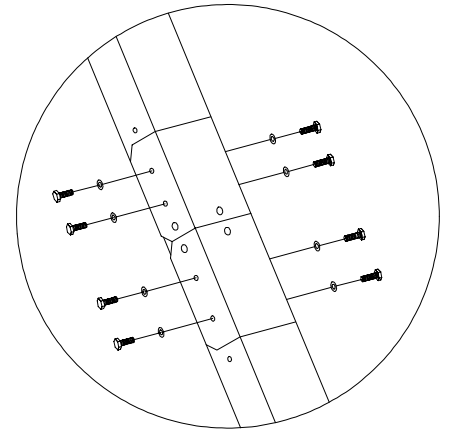


Figure 6

Installation Steps:

Read all of the instructions prior to beginning assembly.

1. Attach the Module Clips to the sides of the Panel Supports using Clips and 1/4-inch hardware supplied in the “Module Clip Kit(s)”.
2. Lay the modules face down on a protected surface in appropriate orientation.
3. Lay the Panel Supports on the back of the modules as shown and attach using the 1/4-inch hardware supplied in the “Standard Module Kit(s)”. **DO NOT TIGHTEN** until the modules are aligned properly and Panel Supports are parallel.

NOTE: Use the following PV mounting holes for this array.

For 28.8” wide BP panels (SX100, 110 & 120): use holes 9.7” from end

For 31.1” wide BP panels (2150-5170, SX150): use holes 12.6” from end

4. Assemble Inner and Outer Rails using ¼ inch supplied hardware and attach Rails to the back of the Panel Supports.
5. Attach Feet using 5/16-inch hardware and set on the user supplied foundation bolts and tighten.
6. Adjust tilt angle to module manufacturers recommendation. Seasonal tilt adjustment is achieved by adjusting the Inner/Outer Rail Assembly’s overall length.
7. Tighten hardware to following torque values:
 - a. 1/4-inch hardware to 7 ft·lbs
 - b. 5/16-inch hardware to 12 ft·lbs