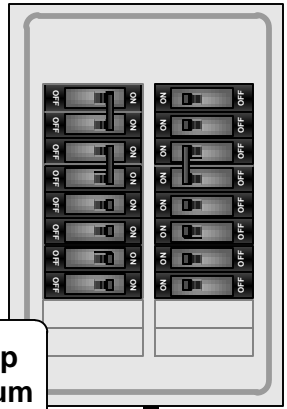
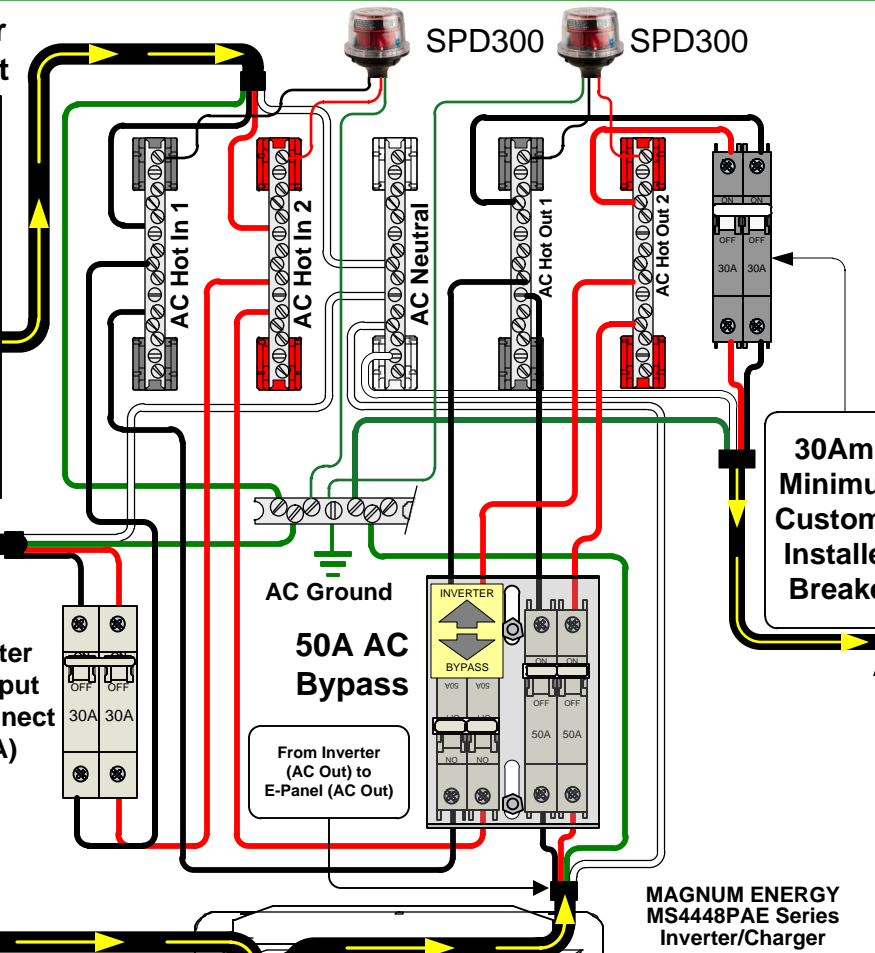
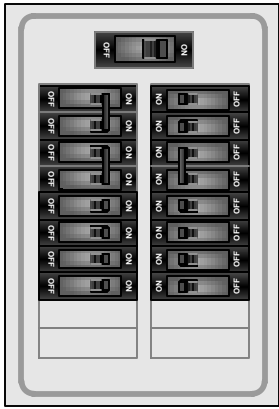


Utility or Generator
120/240VAC Output

SPD300 SPD300

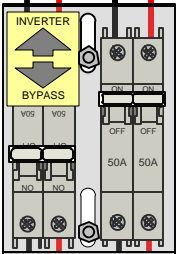
120/240VAC
Load Panel



From E-Panel (AC In) to Inverter (AC In)

Inverter AC Input Disconnect (30A)

AC Ground
50A AC Bypass



MAGNUM ENERGY MS448PAE Series Inverter/Charger

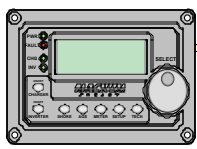
From E-Panel (AC out) to Load Center

Optional Breakers/Disconnects (6 spaces max @ 13mm)

AC WIRING

DC WIRING

Remote Control RC-50, ARC-50 or Magnum Router



Battery Temperature Sensor

DC - Buss

DC Shunt

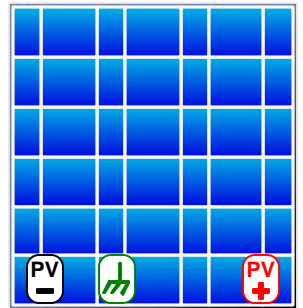
Main Battery Shutoff 175A

DC + Buss

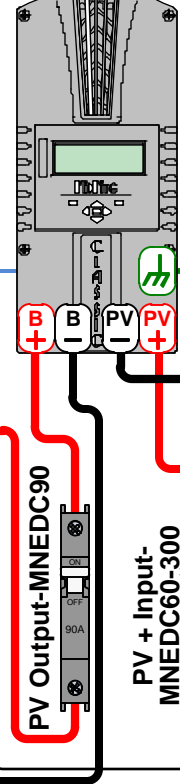
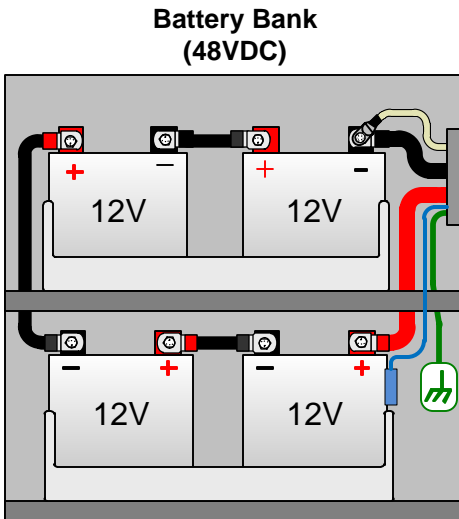
DC Ground

MIDNITE SOLAR Classic 200 Controller

PV Panels



PV + Buss



PV Output-MNEDC90

PV + Input-MNEDC60-300

SPD300

Note AC and DC Grounds go to the Same BusBar, Drawn Separate for clarity