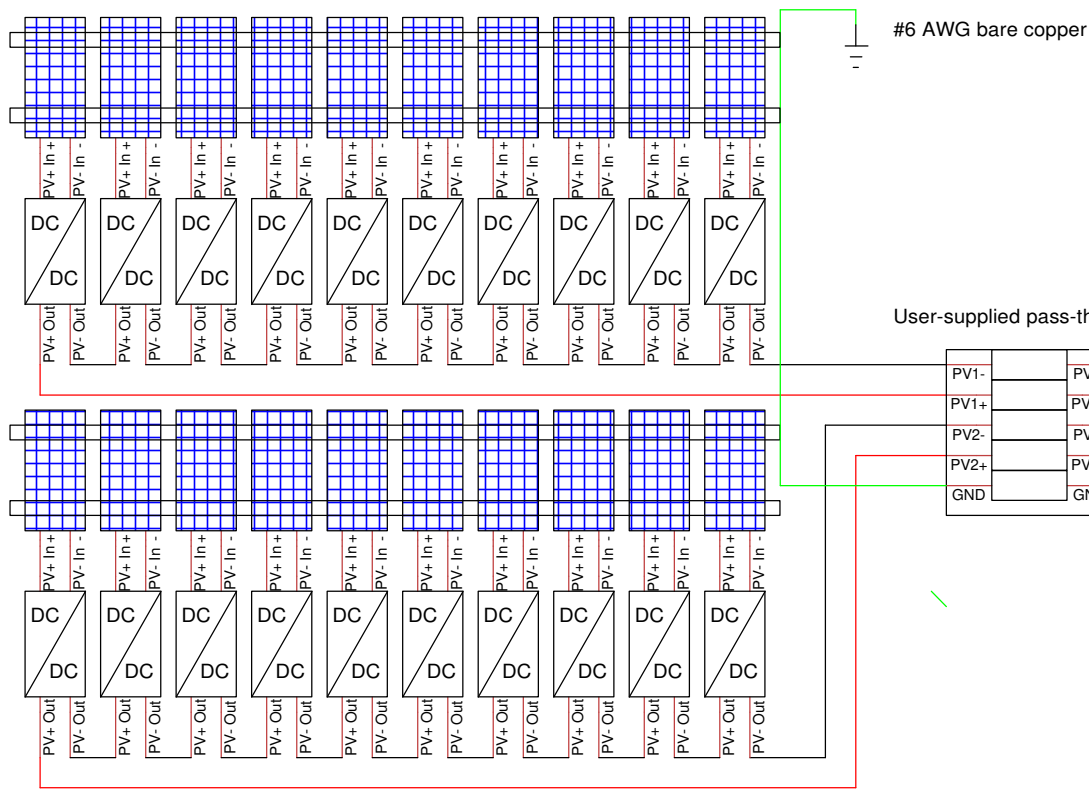
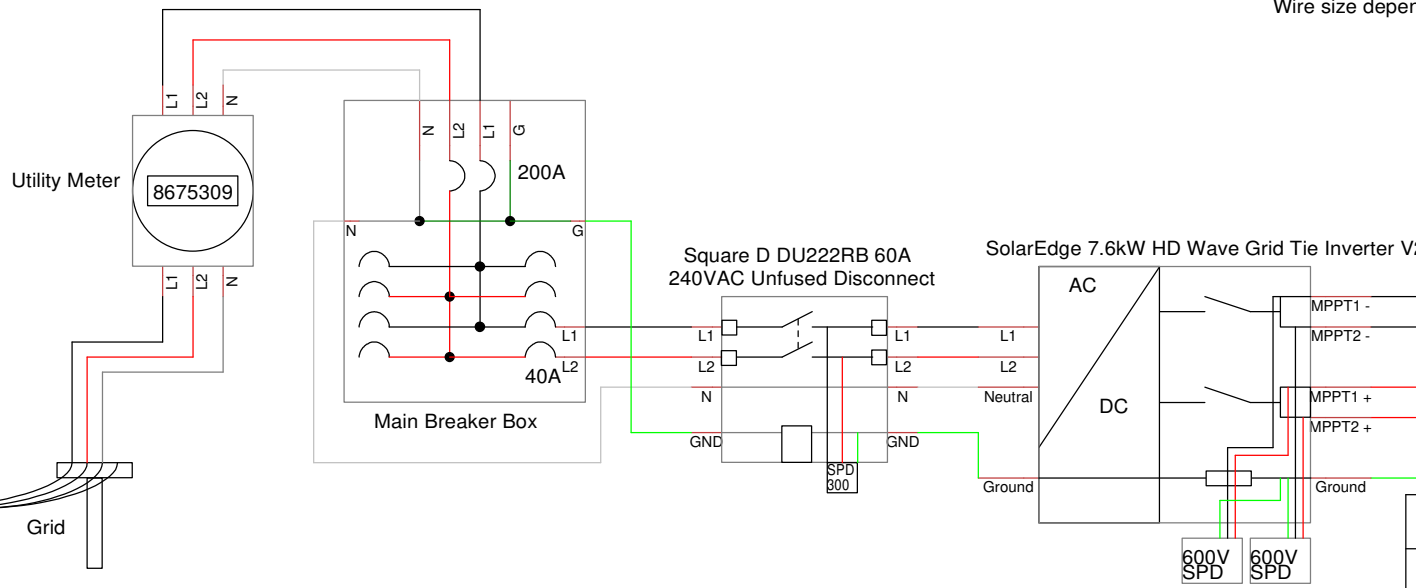


20 Canadian Solar CS3N-390MS HiKuBlack Modules

2 strings of 10 in series = 7.8kW DC



(20) SolarEdge 401 Watt Optimizers
****NOTE: T4 to MC4 adapters must be used between every module and optimizer**



Title KITONGRID7.8SED		
Author ARB/NAD altE Store		
File .\Document Library\S ... KITONGRID7_8SED.dsn	Document	
Revision 1.0	Date 4/12/22	Sheets 1 of 1