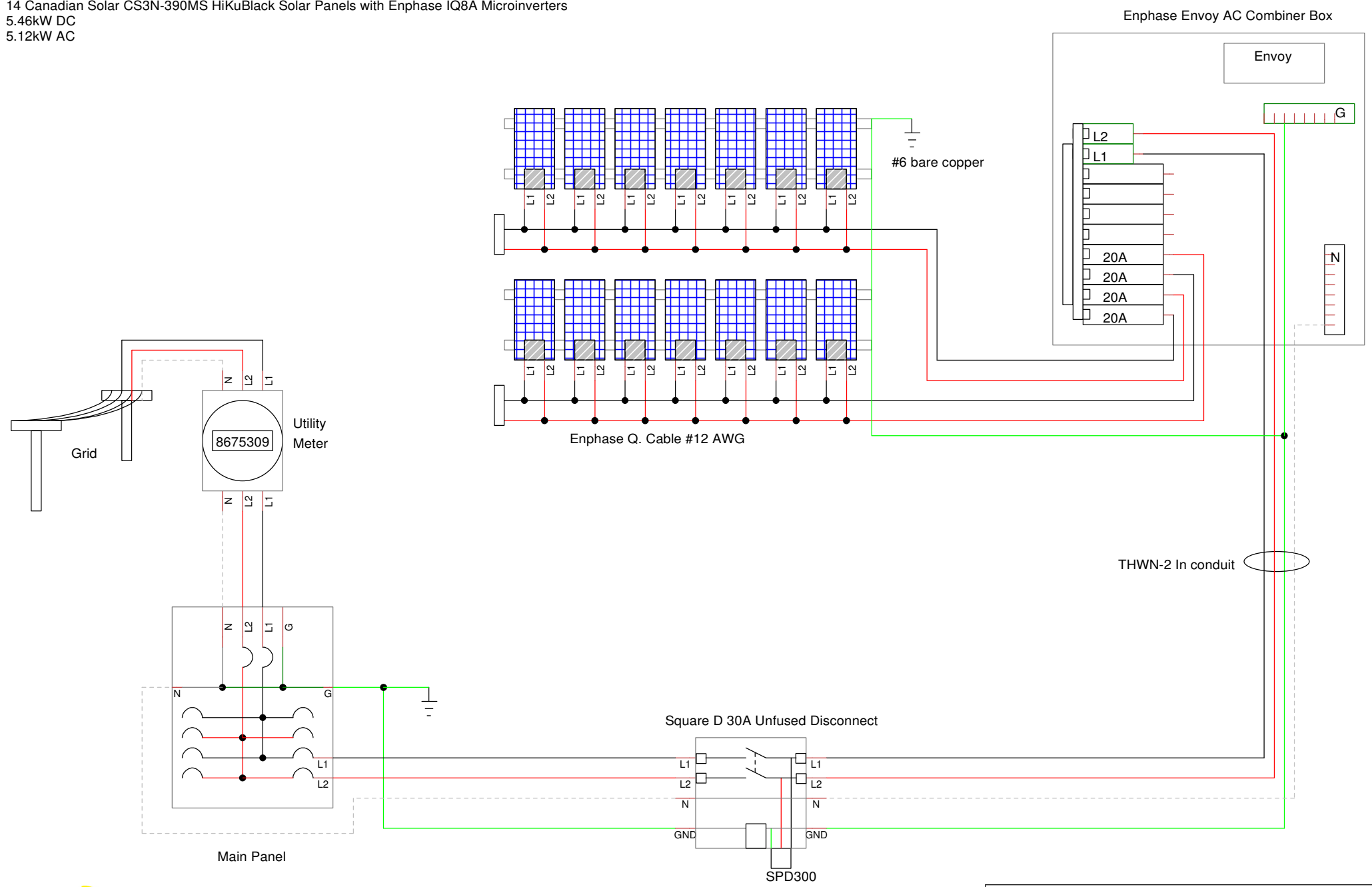


**\*\*NOTE:** T4 to MC4 adapters must be installed on each panel between the module and the microinverter

14 Canadian Solar CS3N-390MS HiKuBlack Solar Panels with Enphase IQ8A Microinverters  
 5.46kW DC  
 5.12kW AC



For Reference Only  
 Read all equipment manuals

Title GRID-TIE 5.1KW SOLAR POWER SYSTEM WITH ENPHASE		
Author Nate Dooley altE Store		
File 3:\Document Library\S ... KITONGRID5.1ENP.dsn	Document	
Revision 1.0	Date 4/8/2022	Sheets 1 of 1