

27 Canadian Solar CS3N-390MS HiKuBlack

27 SolarEdge P401 DC Optimizers

**NOTE: T4 to MC4 adapters must be installed on each panel between the module and the optimizer

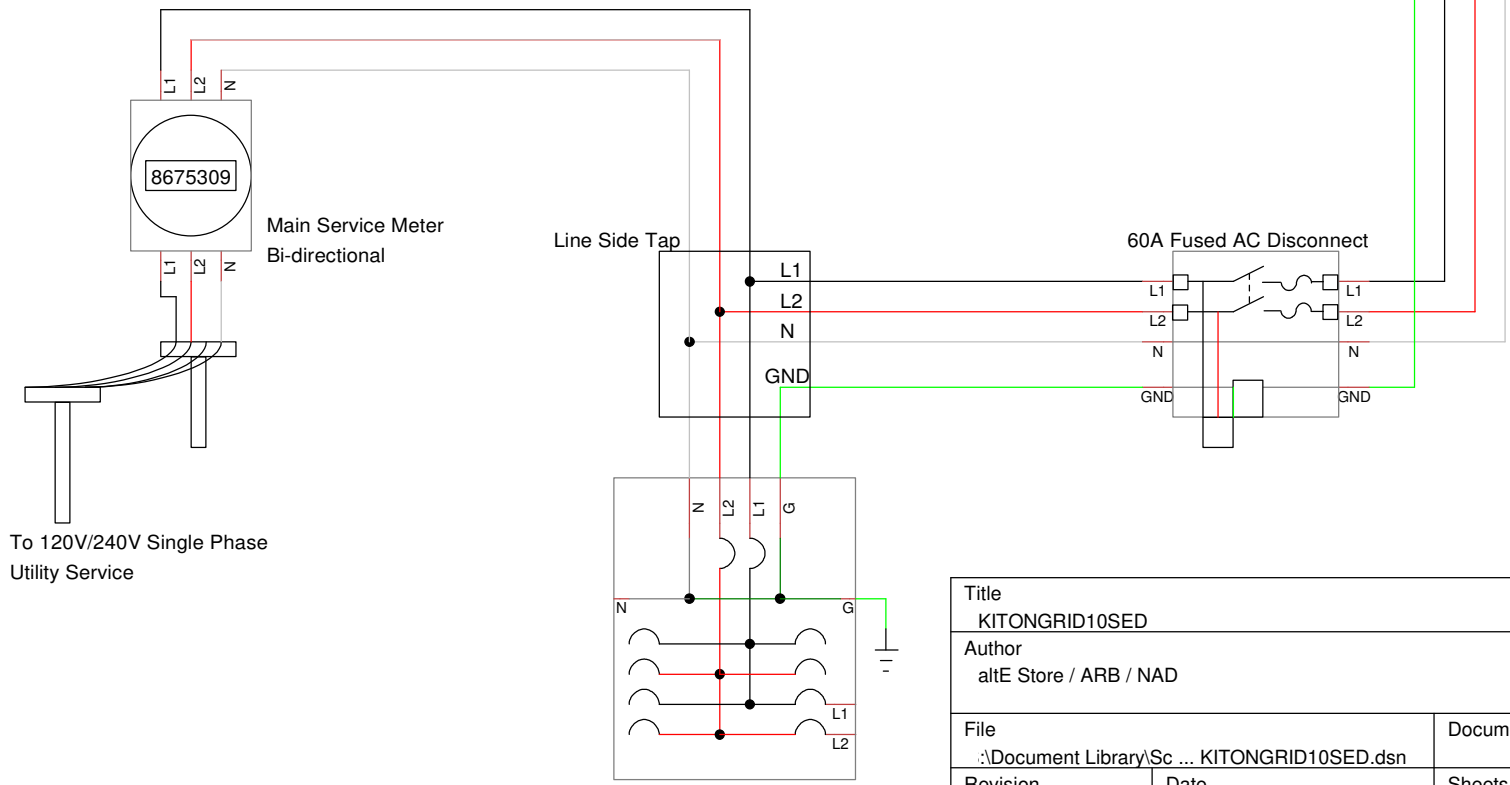
#10 PV Wire MC4 connectors

User-supplied junction box

User-supplied wire

Integrated DC Disconnect

SolarEdge SE10000H-US Inverter



For Reference Only
Read all equipment manuals

To 120V/240V Single Phase
Utility Service



Title KITONGRID10SED		
Author altE Store / ARB / NAD		
File .\Document Library\Sc ... KITONGRID10SED.dsn	Document	
Revision 1.0	Date 4/8/22	Sheets 1 of 1