

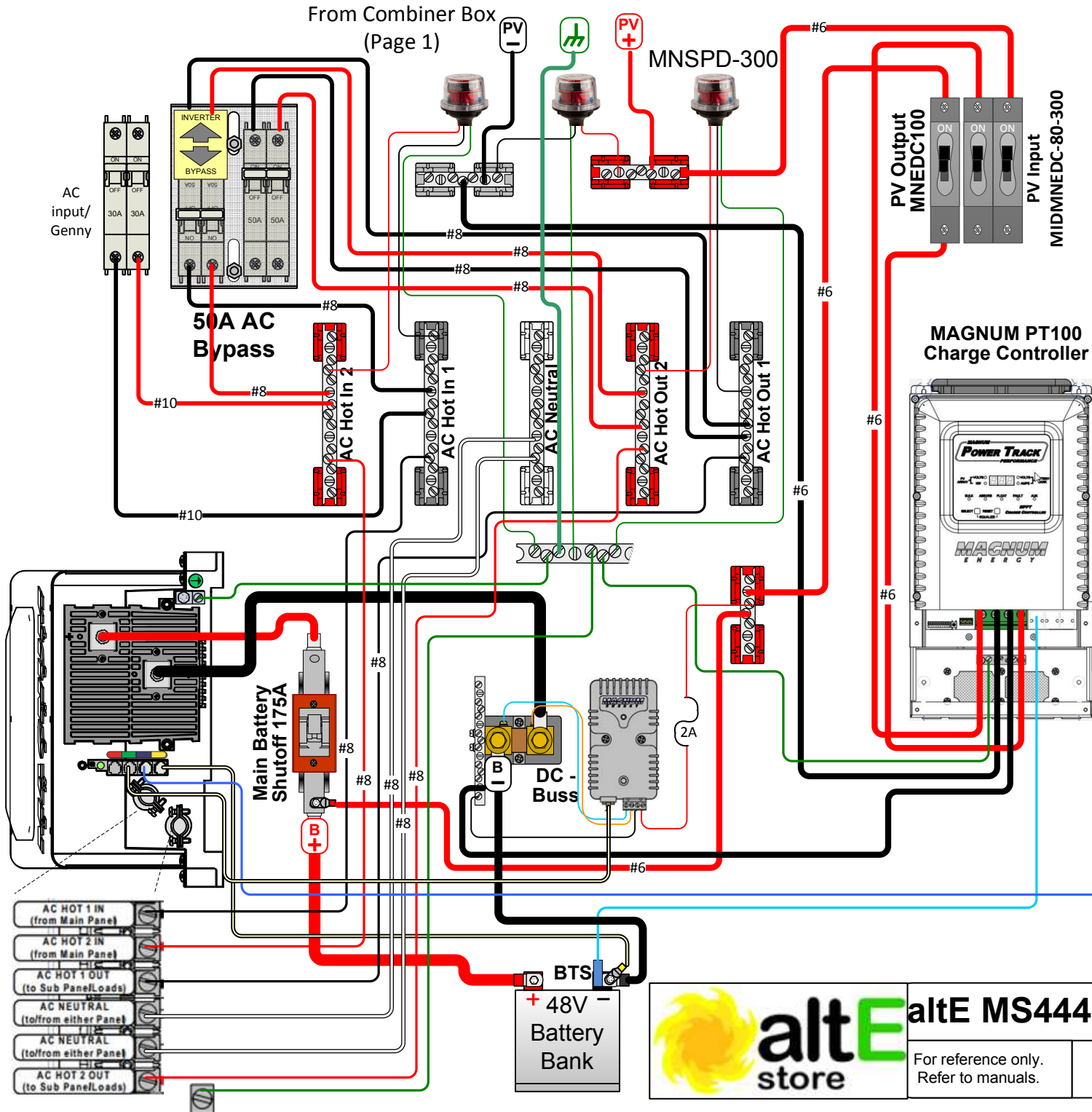
16 Panel Off-grid Solar Kit

For reference only.
Refer to manuals.

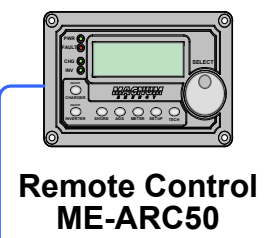
2/14/2020

Page 1 of 3

From Combiner Box
(Page 1)



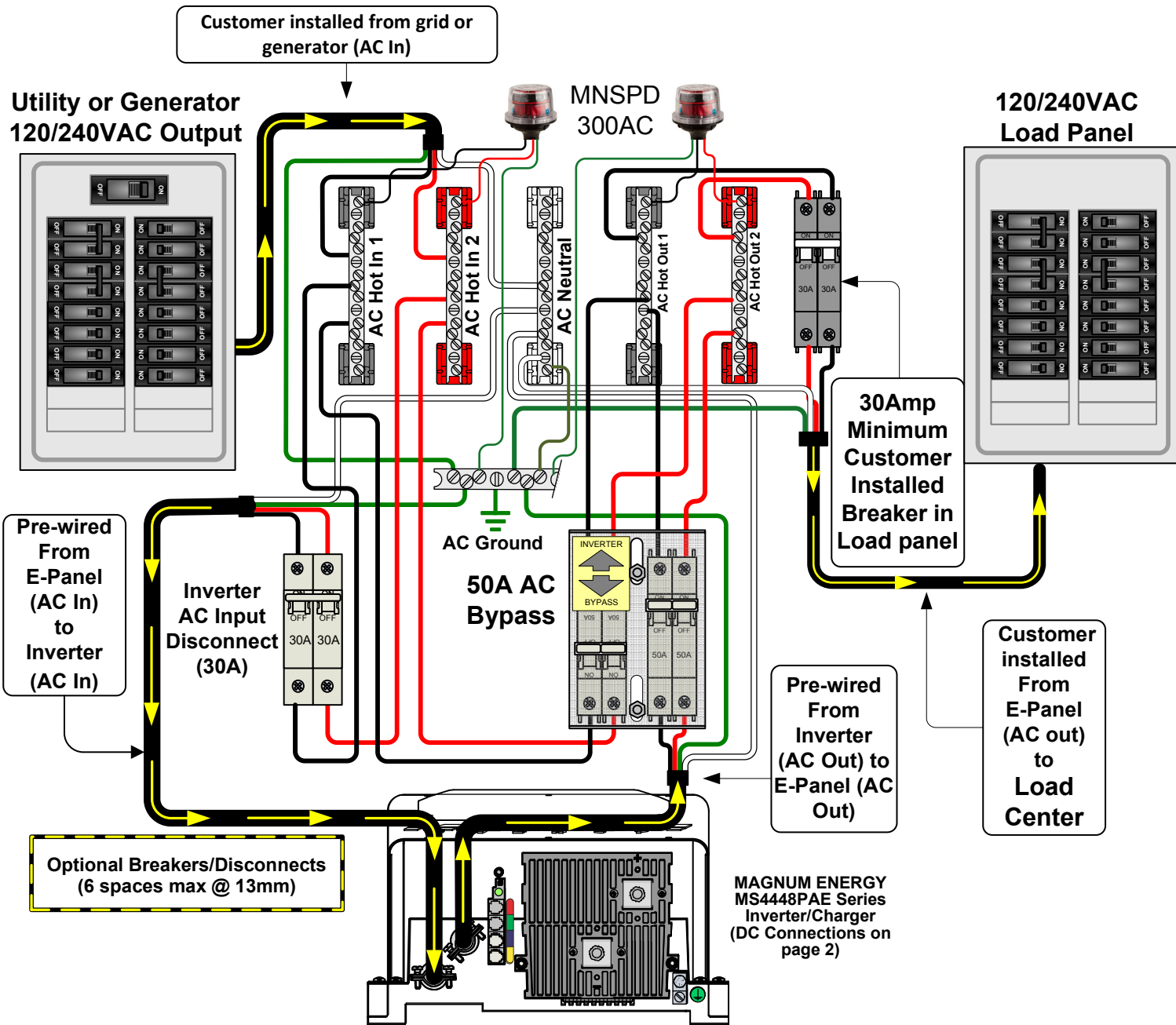
- Customer Installed DC Wires**
(see page 3 for AC connections)
- PV + PV Plus from solar array
 - PV - PV Minus from solar array
 - ⏏ Ground from solar array
 - B + Battery Plus to battery bank
 - B - Battery Minus to battery bank



altE MS4448PAE Pre-wire - DC

For reference only. Refer to manuals.

2/14/2020	Page 2 of 3
-----------	-------------



altE MS4448PAE Pre-wire - AC

For reference only.
Refer to manuals.

2/14/2020

Page 3 of 3