

SIDE-OF-POLE MOUNTS



DP&W Side-of-Pole Mounts are available in both painted steel (PS) and aluminum (AL) versions. This sheet describes our standard line of mounts. DP&W specializes in custom design and fabrication and can build mounts to meet your exact needs.

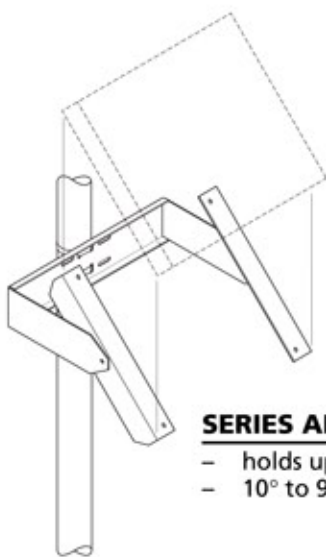
SPECIFICATIONS

MATERIALS

ALUMINUM (AL) SIDE-OF-POLE MOUNTS: Formed aluminum parts are made of 5052-H32 aluminum. All extrusions used are 6061-T6 structural alloy. Corners are coped, edges are sanded and holes are deburred. Stainless steel module mounting hardware and rack assembly hardware are provided with each rack.

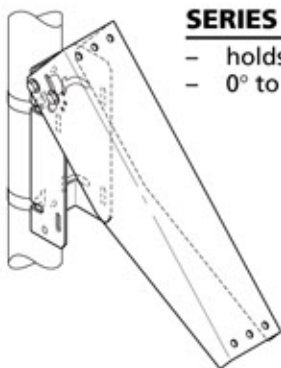
ELEVATION ANGLE ADJUSTMENT

AL & PS: Tilt-angle adjustment varies with rack design. See drawings.



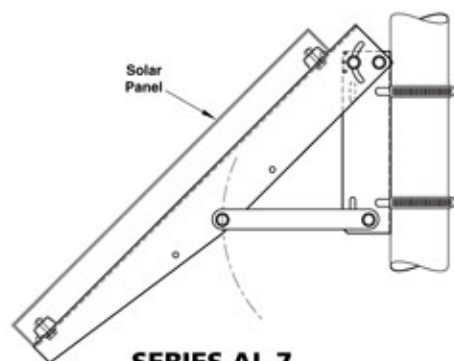
SERIES AL-1.5

- holds up to 1.5 ft²
- 10° to 90° (vertical)



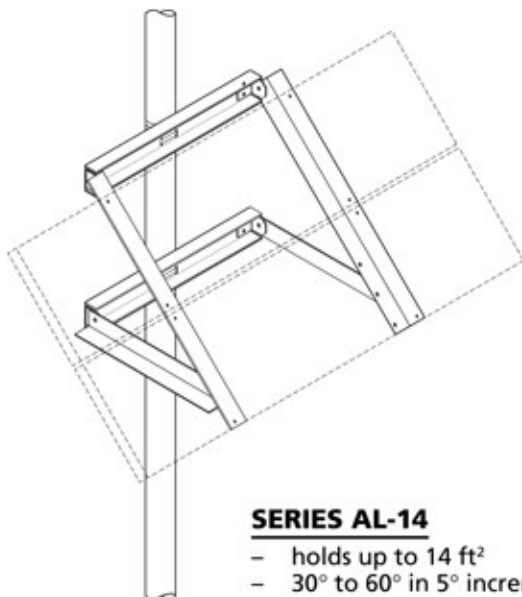
SERIES AL-5

- holds up to 5 ft²
- 0° to 90° (vertical)



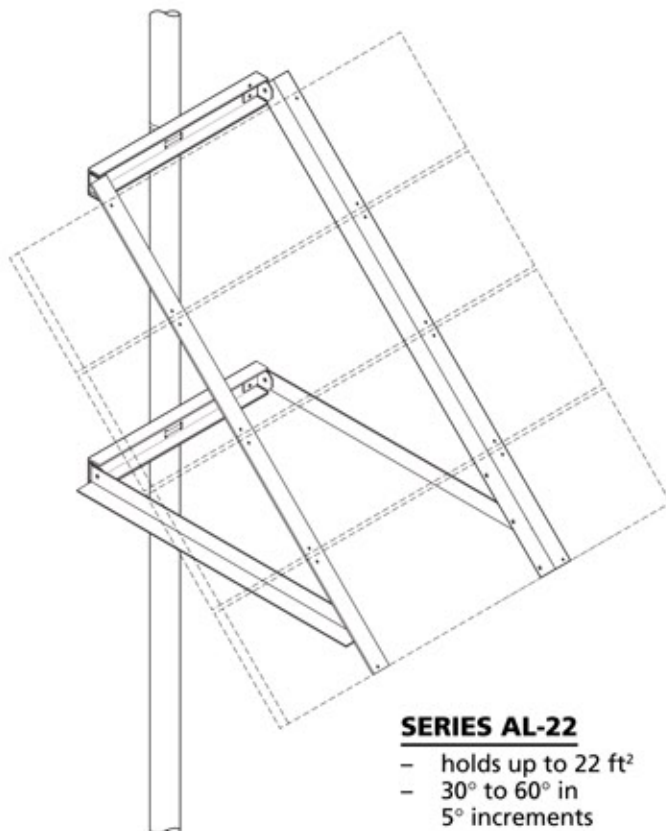
SERIES AL-7

- holds up to 7 ft²
- 30°, 45° & 60° standard



SERIES AL-14

- holds up to 14 ft²
- 30° to 60° in 5° increments



SERIES AL-22

- holds up to 22 ft²
- 30° to 60° in 5° increments