
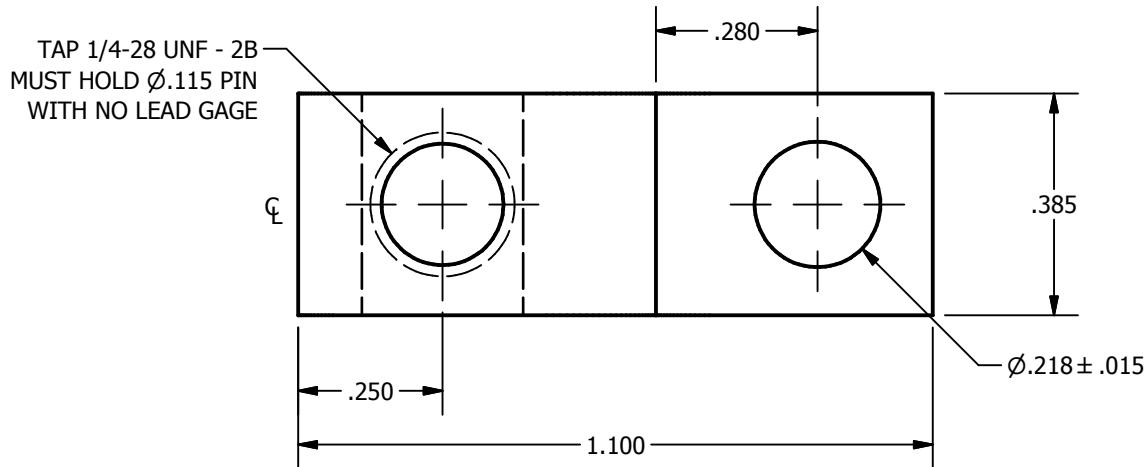
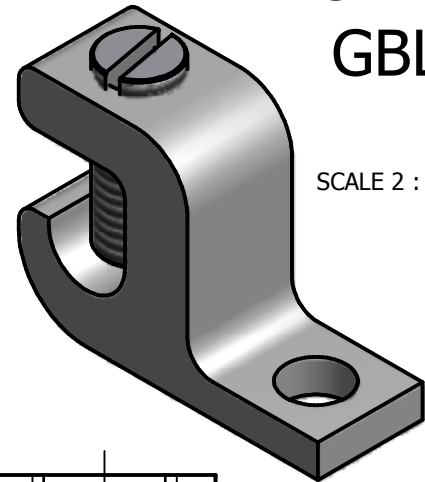


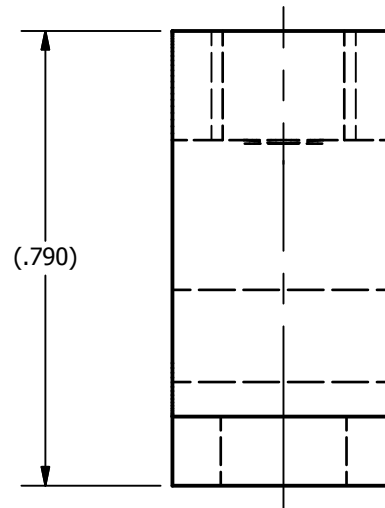
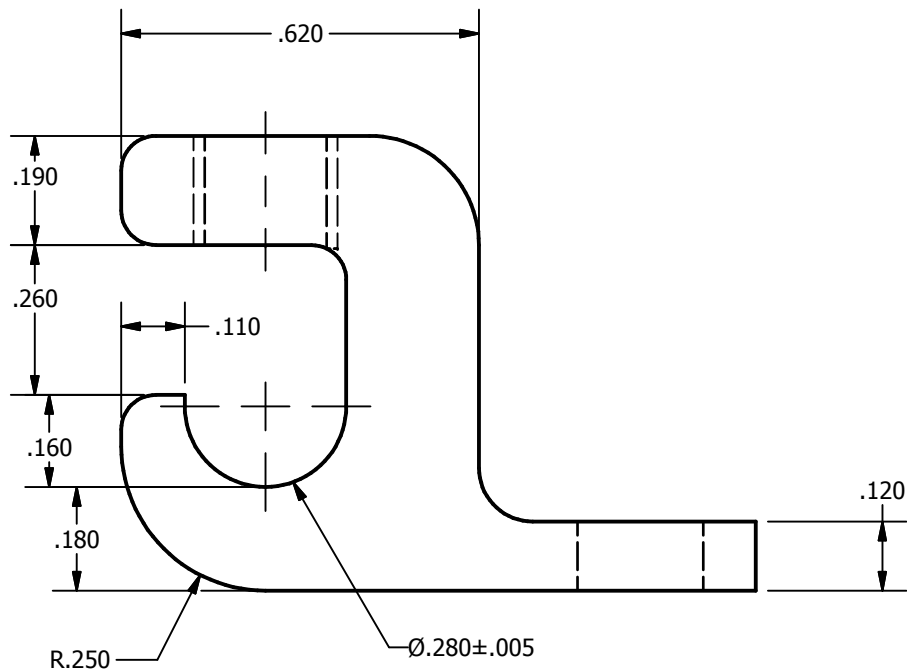
SCREW: SEE CHART	MATERIAL:ALUMINUM, X0683	TOLERANCES-UNLESS OTHERWISE SPECIFIED 2 PL. DEC. ±.010 TRUE C.L. ±.015 3 PL. DEC. ±.010 ANGLES ±1		DWG. NO. G0918 -22 -23		
CAT. NO.:SEE CHART	PLATING: EL-TIN	DRAWN BY:CLH	SCALE: 3:1	SHEET 1 OF 1		
MASS:.014 LBS.	MARKING: ILSCO, G918 4-14, AL9CU, Ⓢ Ⓢ	DATE:7/19/2007	SIZE: A			
SURFACE AREA: 2.546 IN ²		CELL:ABM				
STUFFER SHT: FORM 12					REV.	DESCRIPTION
					N	



Cat #: GBL-4
GBL-4-B2
GBL-4SS



SCALE 2 : 1



Cat #	CAT. NO.	SCREW
-22	GBL-4	E0702
-22	GBL-4-B2	E0702
-23	GBL-4SS	E1447