

## KiloVault® BE24 Battery Balancer Instructions

### APPLICATION

The battery balancer BE24 is intended for use with a connected series of 12V lead-acid batteries to maintain battery voltage balance. This includes Gel, Flood, Lithium Iron Phosphate batteries (LFP), and AGM lead-acid batteries.

When two or more in-series connected batteries develop a voltage difference of 20mV or more, the battery balancer will shunt current from the higher voltage battery to the lower voltage battery until the voltage in the system is balanced. This improves performance and extends battery life.

The battery balancer BE24 can be used for 24V, 36V, 48V and any other  $N \times 12V$  battery system.

- 1 piece for 24V system
- 2 pieces for 36V system
- 3 pieces for 48V system

### TECHNICAL DATA

TECHNICAL DATA	
Battery Nominal Voltage	2*12
Optimizing Current	0-5A
Quiescent Current	<3mA
Dimensions	70x70x27 mm
Protection	Reverse polarity protection
Low Voltage Disconnect	10V

### LED INDICATOR

LED Indicator		
	LED (A)	LED (B)
$V(A)=V(B)$	Off	Off
$V(A)>V(B)$	Flash	Off
$V(A)<V(B)$	Off	Flash
$V(A)<10V$	On	Off
$V(B)<10V$	Off	On
$V(A\&B)<10V$	On	On

- The LED indicators work using the working voltage of the batteries

### INSTALLATION

Simply connect the red cables to the positive (+) terminals and the black cables to the negative (-) terminals. Be sure to connect all positive (+) connections before the negative (-) connections to avoid short circuits. Batteries may be connected in series or in parallel.

#### Note:

- If there are unused cables, leave the protective terminal tubes in place to avoid short circuits.
- Do not allow any of the eight terminals touch each other.
- To make the connections shown in the following diagrams, you will need to add a t-splice with 14 AWG wire (not included) to the end of the white wire.
- Please make sure that the connections in your splices are tight, secure, and solid. Loose connections will cause equipment damage through heat.

## CONNECTION EXAMPLES

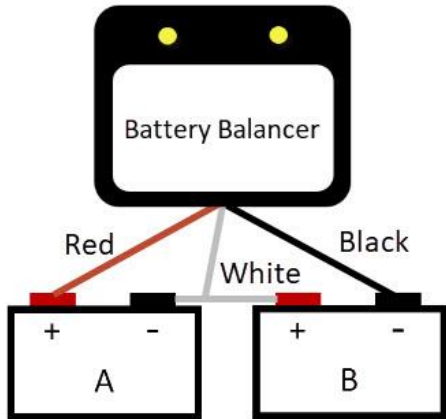


Figure 1: 24V battery bank of two

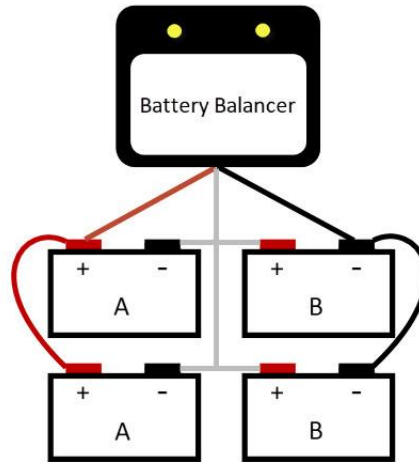


Figure 2: 24V battery bank of four

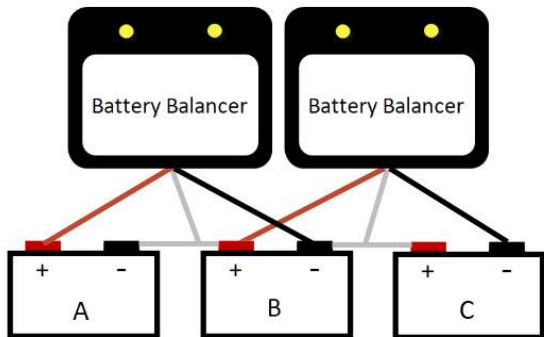


Figure 3: 36V battery bank

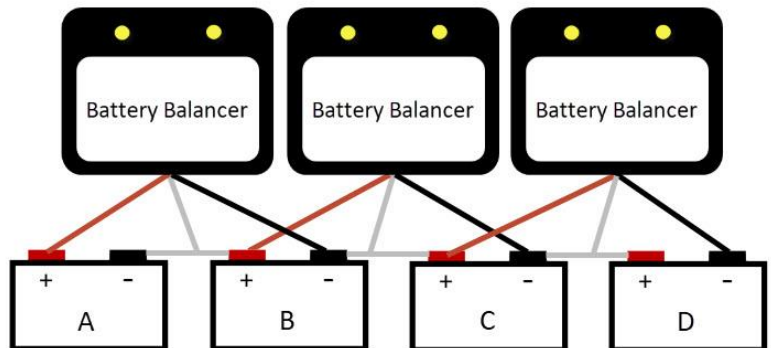


Figure 4: 48V battery bank

## CONTACT US

Email: [kilovault.support@altestore.com](mailto:kilovault.support@altestore.com)

Phone: +1 (877) 878-4060

<https://kilovault.com/>

KiloVault, LLC

330 Codman Hill Road

Boxborough, MA 01719