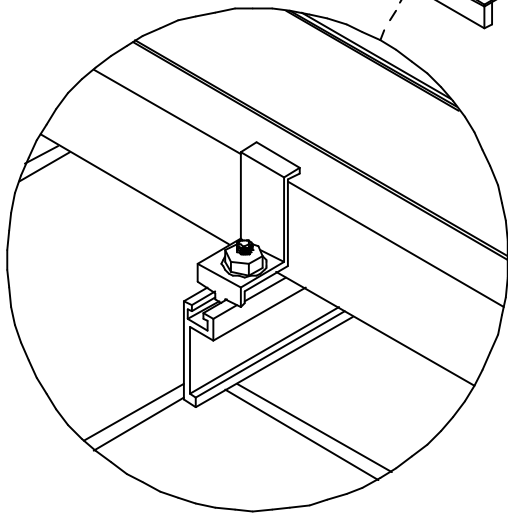
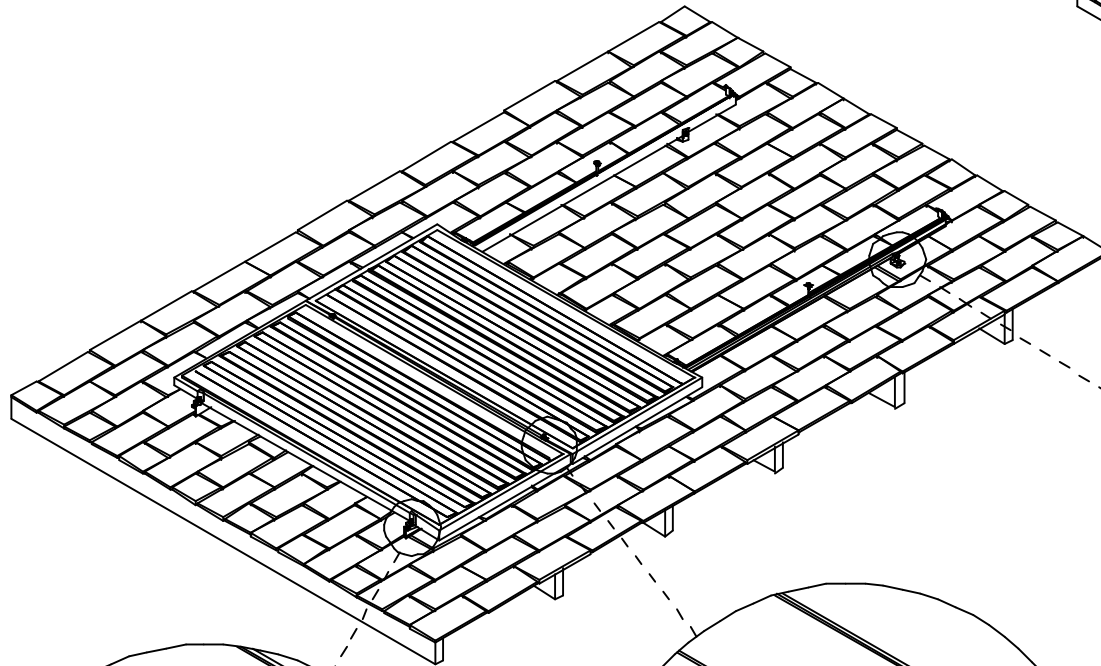
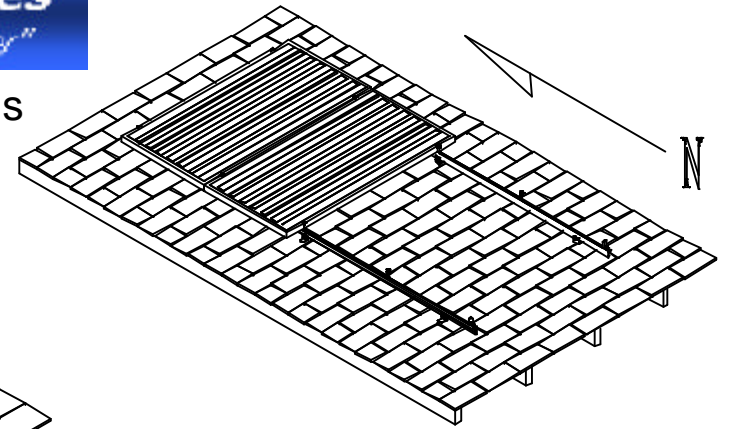


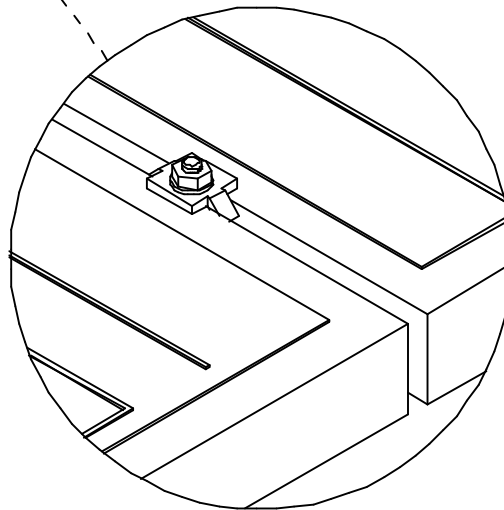


Genesis PRO Series
"For the Professional Installer"

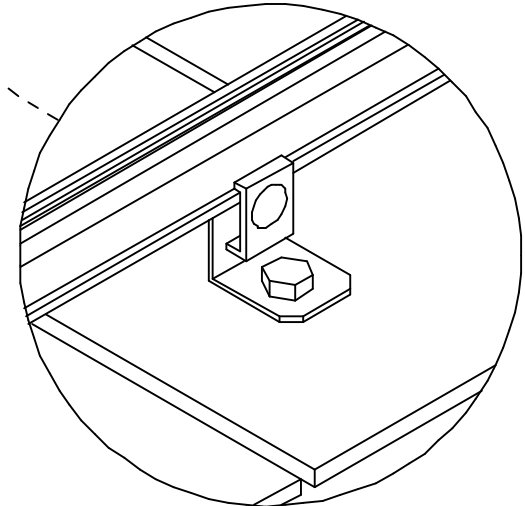
Installation Instructions



End Clamp Assembly

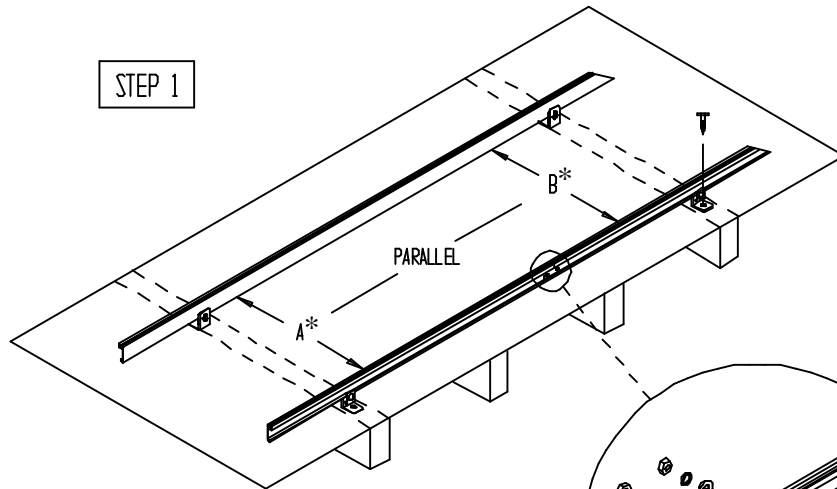
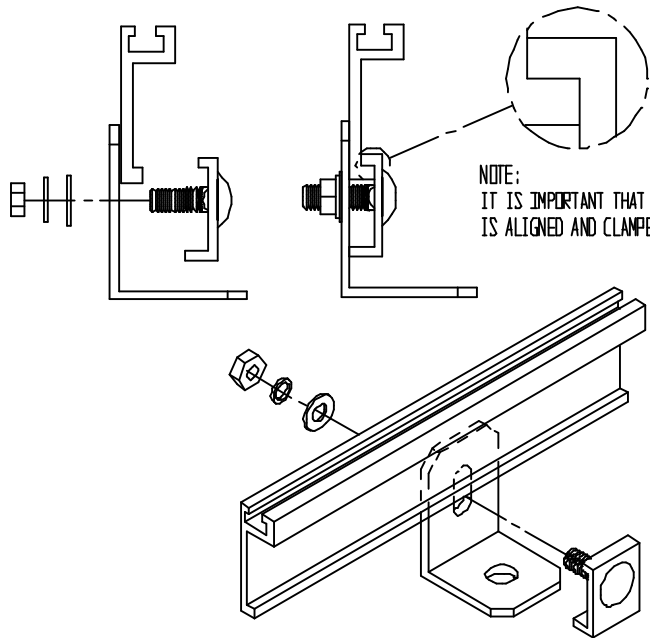


Panel Spacer Assembly



Foot Assembly

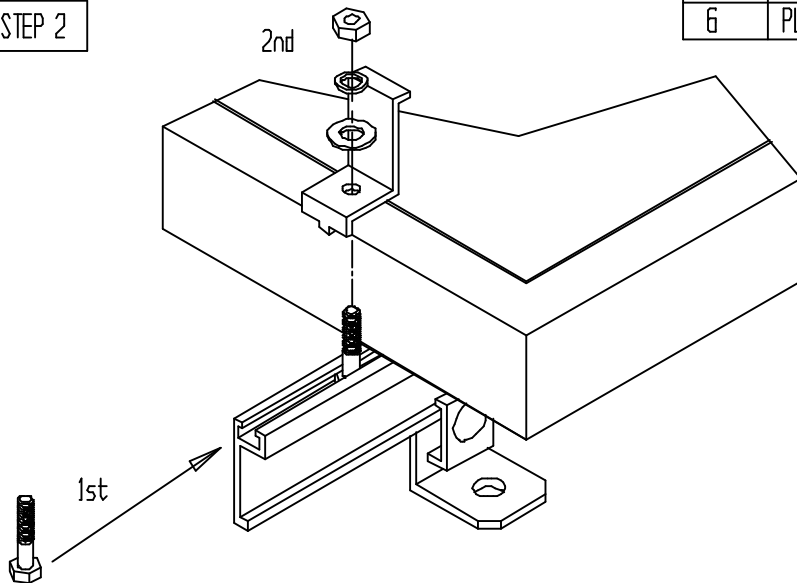
Designed by Professionals for Professional Installation.
Note: All hardware is stainless steel.



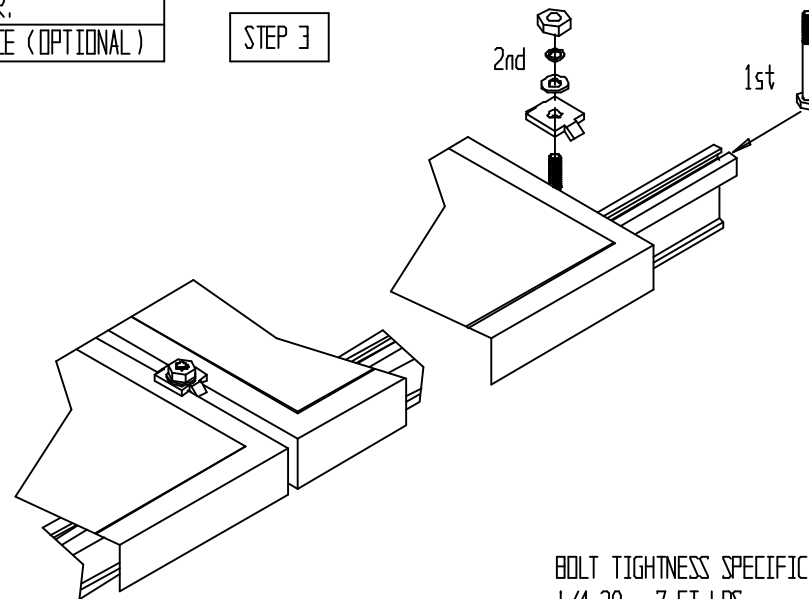
* GPS Rails should be spaced about half the length of the solar panel away from each other.

PARTS LIST	
ITEM	PART
1	GPS EXTRUSION, 1/4"
2	FOOT KIT ASSY.
4	END PLATE.
5	PANEL SPACER.
6	PLATE, SPLICE (OPTIONAL)

STEP 2



STEP 3

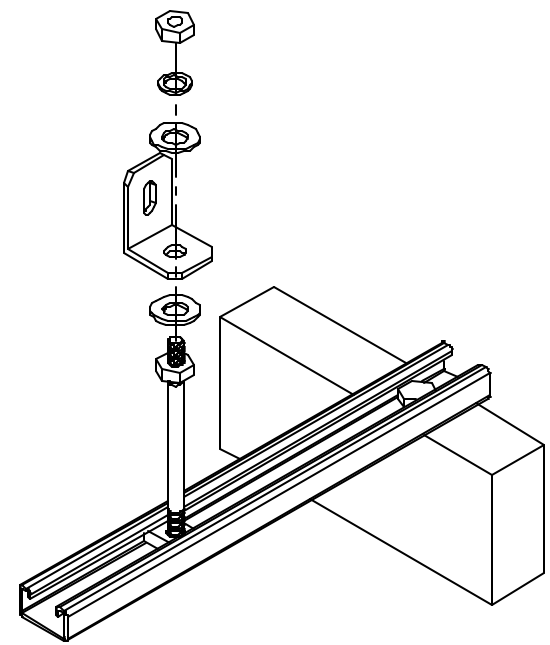
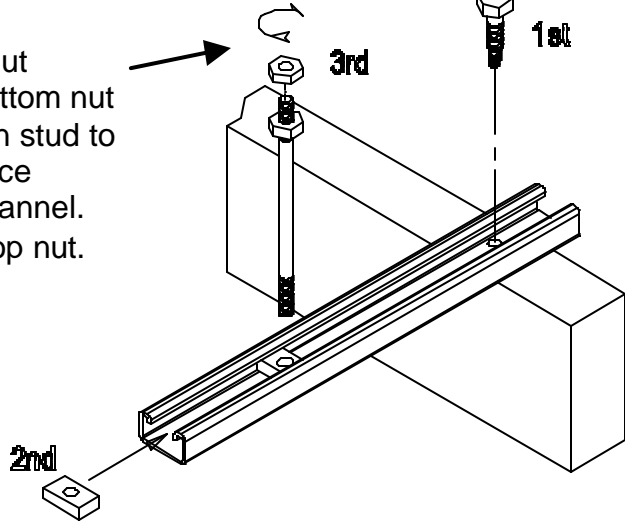


BOLT TIGHTNESS SPECIFICATIONS:
1/4-20 = 7 FT LBS.
5/16-18 = 12 FT LBS.

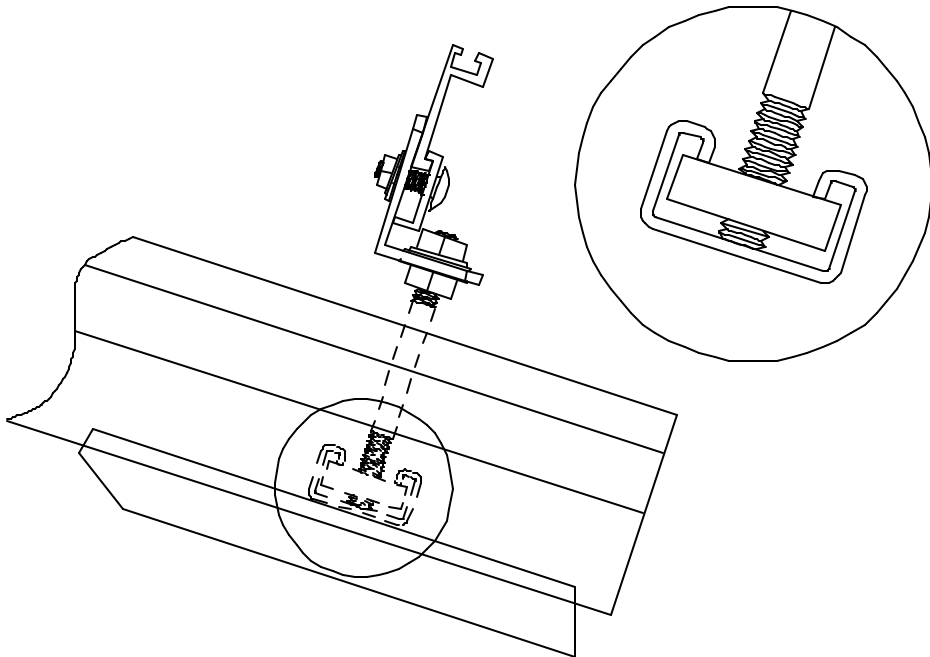
Genesis Pro Series Sliding Foot Assembly Instructions

Hanger Bolt or Lag Bolt (not supplied)

- A. Lock top nut against bottom nut and tighten stud to lock in place against channel.
- B. Remove top nut.



Refer to pages 1 and 2 of GPS Instructions.



Note: All hardware is stainless steel.

