



DEEP CYCLE-SOLAR

SERIES 5000

4 KS 21PS

BATTERY TYPE

VOLTS 4

DIMENSIONS

LENGTH	400 MM	15 3/4	INCHES
WIDTH	238 MM	9 3/8	INCHES
HEIGHT	629 MM	24 3/4	INCHES

WEIGHT DRY

98 KG 216 LBS.

WEIGHT WET

121 KG 267 LBS.

CONTAINER CONSTRUCTION

INNER CONTAINER	POLYPROPYLENE
INNER COVER	POLYPROPYLENE - HEAT SEALED TO INNER CONTAINER
OUTER CONTAINER	HIGH DENSITY POLYETHYLENE
OUTER COVER	HIGH DENSITY POLYETHYLENE SNAP FIT TO OUTER CONTAINER
HANDLES	MOLDED

PLATES PER CELL

21

ELECTROLYTE RESERVE ABOVE PLATES

95 MM 3.75 INCHES

DESIGN CRITREA 10 YEAR WARRANTY

3300 CYCLES 15 YEAR LIFE

POSITIVE PLATE DIMENSION

HEIGHT	432 MM	17.0	INCHES
WIDTH	143 MM	5.625	INCHES
THICKNESS	6.99 MM	0.275	INCHES

NEGATIVE PLATE DIMENSION

HEIGHT	432 MM	17.0	INCHES
WIDTH	143 MM	5.625	INCHES
THICKNESS	4.57 MM	0.180	INCHES

SEPARATOR

SEPARATOR THICKNESS 0.105 INCH

INSULATION

POSITIVE PLATE DOUBLE WRAPPED WITH SLYVER 0.020 HEAVY GLASS MAT AND ENVELOPED WITH HEAVY DUTY SEPARATOR

TERMINALS

FLAG WITH STAINLESS STEEL NUTS AND BOLTS

COLD CRANK

CCA 0°F / -17.8°C 3095
MCA 32°F / 0°C 3869

RESERVE

MINUTES AT 25A

3575

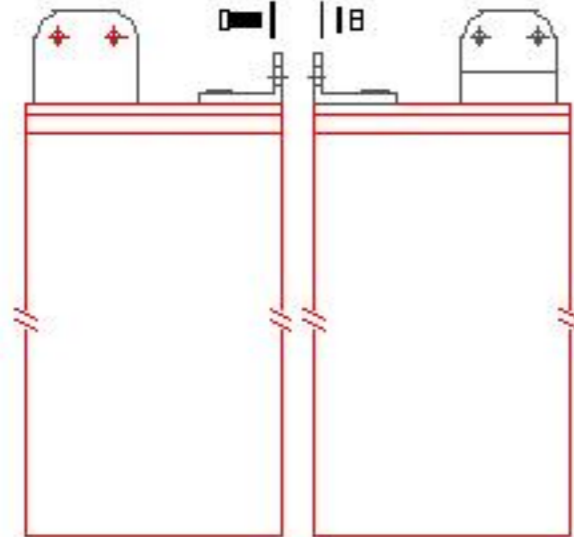
CAPACITY

20 HR RATE 1104

CAP / AH CURRENT / AMPS

CAPACITY AT THE 100 HOUR RATE	1.265 SP. GR.	1557	15.57
CAPACITY AT THE 72 HOUR RATE	1.265 SP. GR.	1468	20.39
CAPACITY AT THE 50 HOUR RATE	1.265 SP. GR.	1358	27.16
CAPACITY AT THE 24 HOUR RATE	1.265 SP. GR.	1148	47.8
CAPACITY AT THE 20 HOUR RATE	1.265 SP. GR.	1104	55.2
CAPACITY AT THE 15 HOUR RATE	1.265 SP. GR.	1027	68.4
CAPACITY AT THE 12 HOUR RATE	1.265 SP. GR.	960	80.0
CAPACITY AT THE 10 HOUR RATE	1.265 SP. GR.	916	91.6
CAPACITY AT THE 8 HOUR RATE	1.265 SP. GR.	861	107.6
CAPACITY AT THE 6 HOUR RATE	1.265 SP. GR.	784	130.6
CAPACITY AT THE 5 HOUR RATE	1.265 SP. GR.	740	148
CAPACITY AT THE 4 HOUR RATE	1.265 SP. GR.	684	171
CAPACITY AT THE 3 HOUR RATE	1.265 SP. GR.	618	206
CAPACITY AT THE 2 HOUR RATE	1.265 SP. GR.	530	265
CAPACITY AT THE 1 HOUR RATE	1.265 SP. GR.	375	375

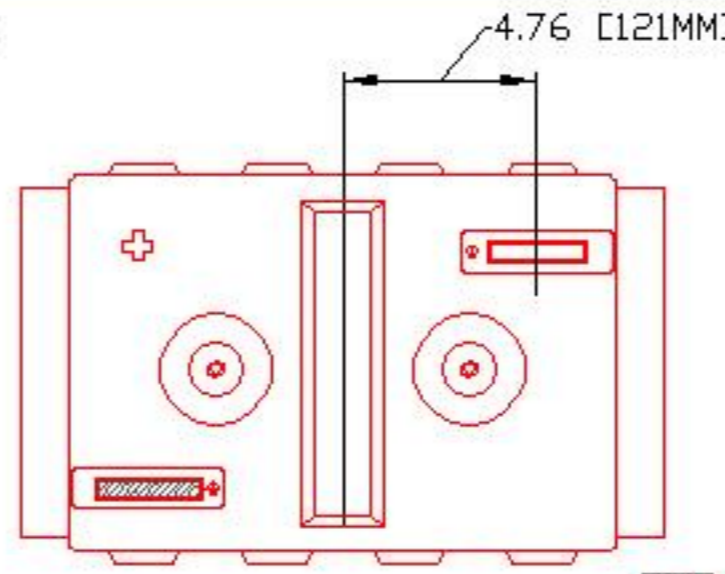
BOLT-ON CONNECTOR 2 X 316 SS NUT, WASHERS, LOCK WASHER AND BOLT



2.90 [74MM]



9.38 [238MM]



4.76 [121MM]

0.70 [18MM]

Ø0.30 [Ø8MM]

24.15 [613MM]

15.75 [400MM]

PART NUMBER: 4-KS-21P
 WEIGHT WET: 267 LB / 121 KG
 WEIGHT DRY: 186 LB / 84 KG
 CAPACITY: 1,104 AH 20 HR
 1,557 AH 100 HR
 VOLTAGE: 4 V
 OVERALL DIMENSIONS: 15.75X9 3/8X24.75"
 MAX HEIGHT WITH OPTIONAL HYDROCAPS 25.13" / 638 MM



24.75 [629MM]



BATTERY ENGINEERING
 SPRINGHILL, NOVA SCOTIA, CANADA

TITLE: 4KS21P

DESCRIPTION:
 4V / 2 CELL 21 PLATE (KS) DEEP CYCLE
 500/5000 SERIES

CONTACT INFO:
 WEB: WWW.ROLLSBATTERY.COM
 E-MAIL: SALES@ROLLSBATTERY.COM
 PHONE: 1-800-681-9914

SCALE: 1" = 6" 1" = 4" JPEG
 8.5" X 11" 11" X 17" NOT TO SCALE

Drawn by: S. WILES Approved By: D. SURRETTE

DATE: 12-APR-02 REVISION 2.2

DRAWING NO.: DWG 002, BD4KS21P