



Installation Manual

2" SGA Scalable Ground Array



Introduction

The IronRidge 2" SGA Scalable Ground Array is a flexible and easy-to-install mounting solution that scales to the largest PV installations. The aluminum and steel components combine with installer-supplied steel pipe to form durable and cost-effective mounting structures.

1. Installer Responsibility

The installer is solely responsible for:

- ◆ Complying with all applicable local or national building codes, including any that may supersede this manual;
- ◆ Ensuring that IronRidge and other products are appropriate for the particular installation, environment, and load conditions;
- ◆ Ensuring the installation meets all state and local code requirements, and that component design parameters are not exceeded;
- ◆ Using only IronRidge parts and installer-supplied parts as specified by IronRidge. Substitution parts may void the warranty;
- ◆ Ensuring that analysis has been done supporting the adequacy of pier installation, and that installation adheres to local regulations;
- ◆ Ensuring safe installation of all electrical aspects of the PV array; and
- ◆ Ensuring correct and appropriate design parameters are used in determining the design loading used for the specific installation. Parameters, such as snow loading, wind speed, exposure and topographic factor should be confirmed with the local building official or a licensed professional engineer.

2. Customer Support

IronRidge makes every effort to ensure your mounting kit is easy to install. If you need assistance at any point with your installation or have suggestions on how we can improve your experience, please call your local distributor.

3. Tools Required For Assembly

The following tools are required to assemble the 2" SGA Scalable Ground Array.

Note: Your installation may require incidental material, such as wood, to construct temporary supports or gravel to promote drainage below the concrete footings.

Tool	Use for
Post hole digger or powered auger	digging footings
Transit	levelling pipes
24-inch Pipe wrenches	tightening threaded pipe couplings
Torque wrench	
Tape measure	
Equipment for mixing/placing concrete	
Equipment for cutting pipe	
Open-end wrench, Box-end wrench, or socket drive with sockets to support the following size hex heads:	
◆ 7/16"	1/4" cap-end screws and bolts
◆ 9/16"	3/8" cap-end screws and bolts
◆ 3/4"	1/2" cap-end screws and bolts

4. Torque Values

Use the following torque values for **Galvanized Bolts**.

Galvanized Bolt Size	Required Torque Value (dry)
◆ 1/4"-20	7 ft. lbs.
◆ 3/8"-16	15 ft. lbs.
◆ 3/8"-16 U-Bolt	60 in. lbs.
◆ 1/2"-13	40 ft. lbs.
◆ 1/2"-13 x 1 1/2", square head cup point set screw	40 ft. lbs.

Use the following torque values for **Stainless Steel Bolts**.

Caution: Stainless Steel hardware can seize up in a process known as galling. To significantly reduce the likelihood of galling, apply a very small drop of anti-sieze lubricant to the threads of all Stainless Steel bolts before installation.

Stainless Steel Bolt Size	Required Torque Value (lubricated)
◆ 1/4"-20	70 in. lbs.
◆ 3/8"-16	17 ft. lbs.

5. Component List

The 2" SGA Scalable Ground Array kit contains the following parts:

Note: The component list indicated here is for reference only. The actual component quantities will vary according to the quantity and make of modules that the mount is configured for. Please check the packing list that ships with every mount for a confirmation of the items that are intended to ship with the specific product on your order.

<p>XRS Connector Assembly, 2" (29-7001-001)</p> <p>Connects the XRS Extruded Rail to the pipe supports. Includes 3/8" bolts and nuts to anchor it to the XRS rail, as well as a 3/8" U-bolt, 2 nuts, washers, and lock washers.</p> 	<p>Cap Flat Top Assembly, 2" (70-0200-SGA)</p> <p>Joins the horizontal cross members to the vertical piers. Includes 1/2-inch hardware (2 U-bolts, 4 nuts, washers and lock washers), 3 set screws, 3 jam nuts.</p> 
<p>XRS Extruded Rail (51-7000- xxx)</p> <p>Provides support for the PV modules</p> 	<p>End Clamp Assembly (29-7000-xxx)</p> <p>Clamps the outside ends of the PV modules to the XRS rails. Includes 1/4" hardware: 1 bolt and 1 flange nut.</p> 
<p>Mid Clamp Assembly (29-7000-xxx)</p> <p>Clamps the inside edges of the PV modules to the XRS rails. Includes 1/4" hardware: 1 bolt and 1 flange nut.</p> 	

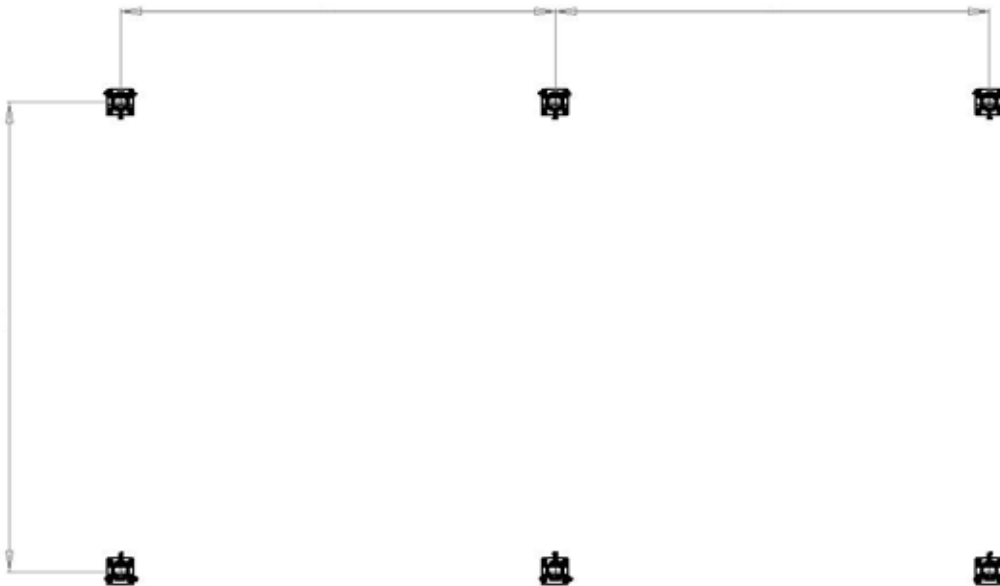
6. Assembly

Step 1 - laying out pier positions

-
1. Establish your pier locations at the installation site.

Note: Pier distances will vary depending on load conditions. Please consult with your local distributor for more information.

2. Once the grid of pier positions has been established, verify that all angles are square.
-



Step 2 - installing the piers

Note: Check local building codes for proper pier mounting requirements.

1. Level and square the vertical piers. Be certain that legs are precisely aligned and that the front and back rows are parallel.
2. Install the piers according to your requirements.
3. Sighting with a laser level, transit, or string line, even the tops of the poles.



Cross Bracing: Under some conditions, certain SGA installations will include cross bracing. If your installation is using optional cross bracing, please refer to the SGA Addendum - Cross Bracing at this time, found on page 12 of this document.

Step 3 - assembling the truss structure

1. Mount a Top Cap on each vertical pole.
2. Thread a jam-nut on to each 1/2" - 13 x 1 1/2" set screw and insert into the Top Cap.

Do not tighten the set screws at this point.



3. Set the horizontal poles in the cap grooves, and attach the poles with U-bolts (3/8-16), nuts, washers and lock washers.
4. Tighten the nuts to 40 ft. lbs.
5. Once the assembly is complete and aligned, tighten the set screws to 40 ft. lbs., then tighten the jam nuts against the boss of the Top Cap.

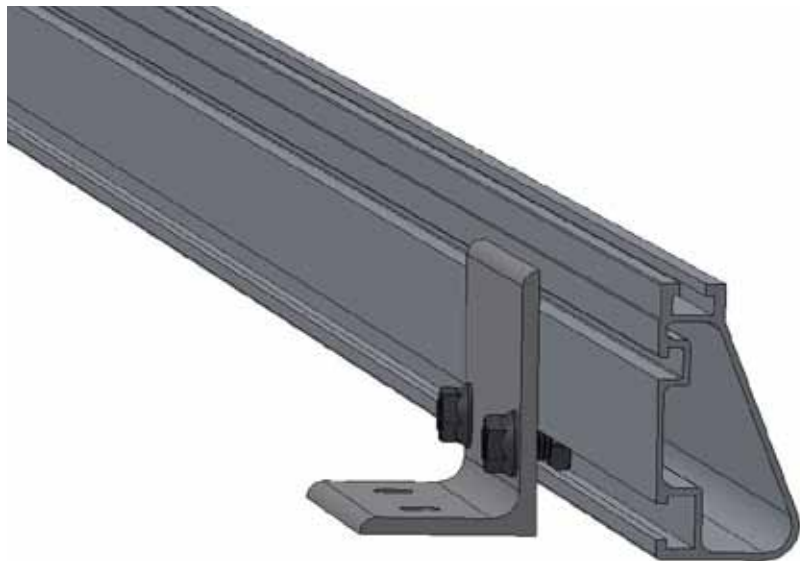


Step 4 - attaching the XRS connectors to the rails

1. Determine the location of the XRS connectors on the rails.
2. Attach the XRS Connectors to the rails by sliding the 3/8"-16 Connector bolt heads into the XRS rail slots.
3. With the XRS Connector in place, screw the flange nuts onto the bolts, but don't tighten them at this point.

Note: To significantly reduce the likelihood of galling, apply a very small drop of anti-seize lubricant to the threads of all Stainless Steel bolts before installation.

4. Attach the remaining XRS connectors in the same manner.



Step 5 - mounting the PV panels to the rails

1. Lay out the XRS rails so that they are parallel to each other.

Make sure the slotted sides of the rails are facing inward and that the rails are the proper distance apart to fit the panels.

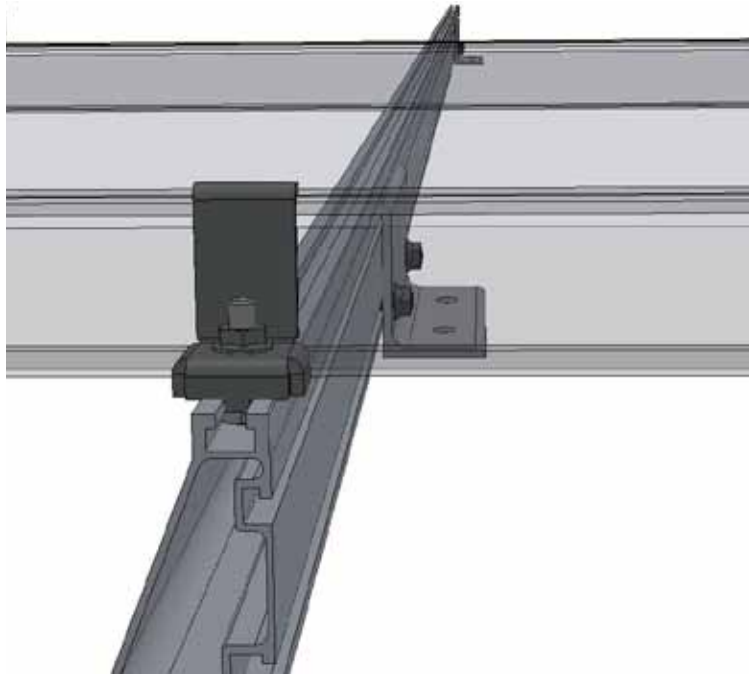


2. Lay the first PV module in position on the rails. Slip the head of the 1/4"-20 End Clamp bolt into the XRS rail top slot. Slide the End Clamp over the bolt, making sure it is firmly hooked over the side of the module. Complete the clamp assembly with a flange nut as shown. Tighten the End Clamp to 70 in. lbs.

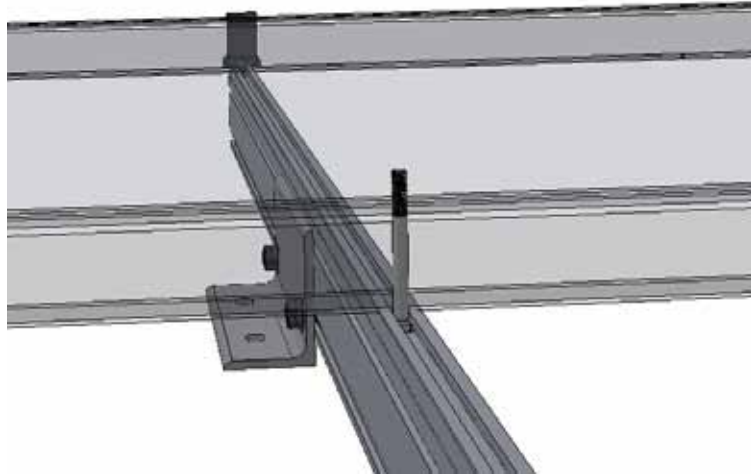
Warning: Do NOT over-torque as this may damage the PV module.

Note: To significantly reduce the likelihood of galling, apply a very small drop of anti-seize lubricant to the threads of all Stainless Steel bolts before installation.

3. Repeat with another End Clamp on the second rail.

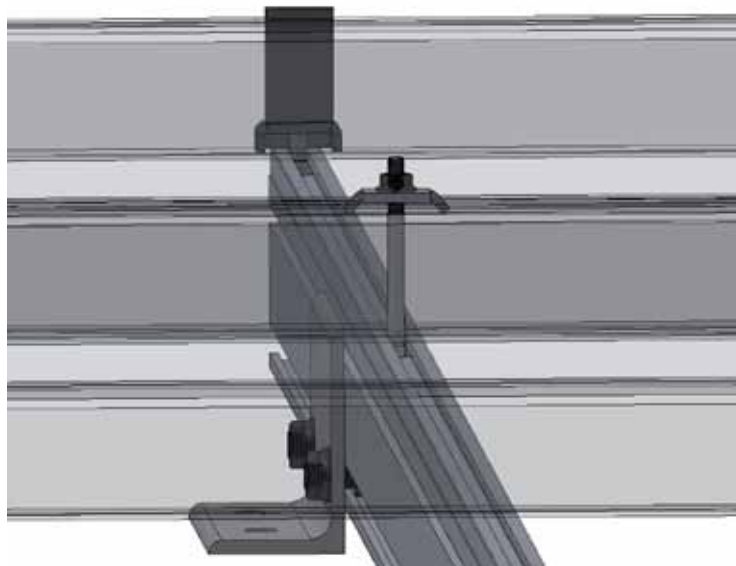


-
4. Working from the opposite side of the PV module, slide the 1/4"-20 Mid Clamp bolts into the XRS rails until they are flush against the panel.

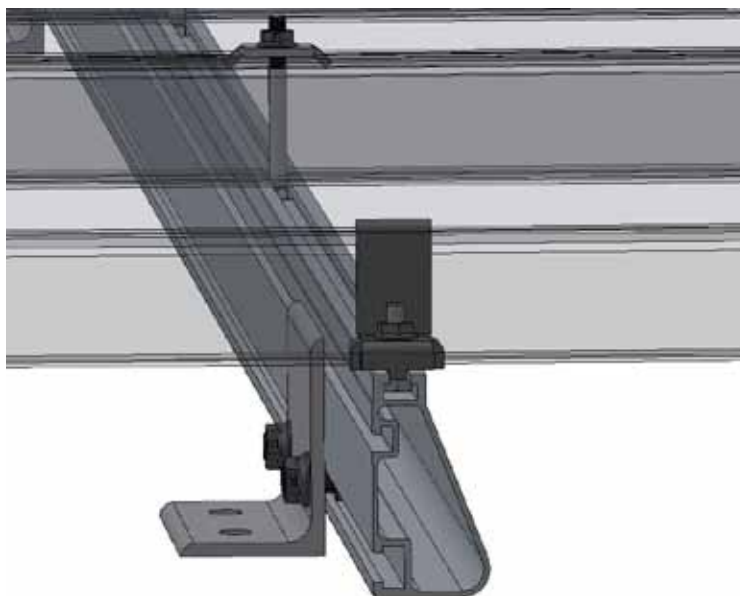


-
5. Place the second PV Module into position on the rails, sliding it against the first so the Mid Clamp bolts are in contact with the edges of both panels.
 6. Put a Mid Clamp on each bolt, then a flange nut.
 7. Tighten the Mid Clamps to 70 in. lbs.

Warning: Do NOT over-torque as this may damage the PV module.



8. Repeat the procedure using Mid Clamps to secure each successive module.
9. Secure the last module at the end of the rails using the End Clamps.
10. Repeat for the remaining sets of rails and panels.



Step 6 - mounting the panel assembly to the truss structure

1. Carefully lift the panel assembly onto the truss structure.

Be sure to center the panel assemblies on the horizontal pipes, leaving an equal amount of overhang on north and south sides.



2. Secure the panel assembly to the truss structure with the 3/8"-16 Galvanized U-bolts, nuts, washers and lock washers.
3. Tighten the nuts to 60 in. lbs.
4. Tighten the XRS Connector flange nuts to 17 ft. lbs.
5. Repeat with the remaining panel assemblies.



Introduction to SGA Addendum - Brace Assembly (Optional)

The IronRidge 2" SGA Scalable Ground Array is an additional bracing component only needed in certain instances of SGA ground mount installations. Your installation may not require a brace assembly, in which case you may disregard addendum. Please note this addendum's steps should be followed in between Step 2 and Step 3 of the SGA Installation Guide.

1. Component List

Note: The component list indicated here is for reference only. The actual component quantities will vary according to the quantity and make of modules that the mount is configured for.

Diagonal Brace - 2" (29-0200-CBR) or 3" (29-0300-CBR)

Connects the vertical piers together, acting as a diagonal brace.



Sleeve - 2" (70-0200-002) or 3" (70-0300-002)

Joins the diagonal cross brace to the vertical piers. Includes 1/2-inch hardware (2 bolts, 2 nuts, 4 washers and 2 lock washers), 4 set screws, 4 jam nuts.

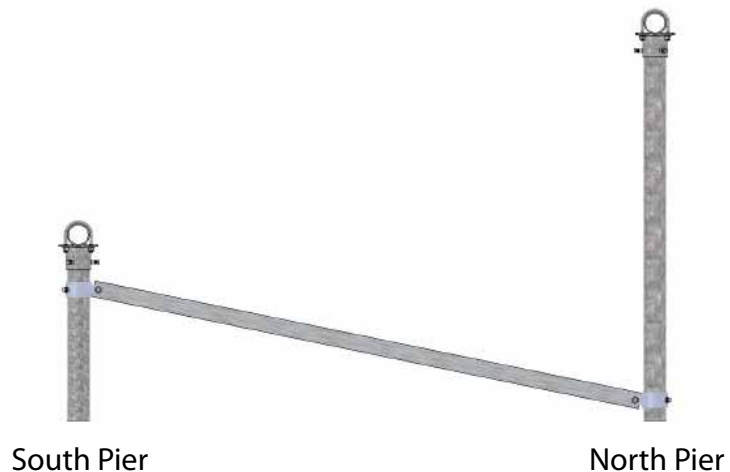


2. Installation

Installing the Brace Assembly

Note: Install the sleeves prior to attaching pier caps. The below steps take place between Step 2 and 3 of the SGA Installation Manual.

1. Slide sleeve onto northern pier, raising it 2-3" above the ground, and tighten to 40 foot pounds.
2. Attach the diagonal brace to the sleeve using the provided 1/2" hardware.
3. Slide the second sleeve on the south pier, raising the diagonal brace to align holes in both the sleeve and brace. Insert hardware to hold.
4. Raise southern pier's sleeve to end of upward travel. Tighten set screws.
5. Torque all sleeve and diagonal brace hardware to 40 foot pounds.



IronRidge 10-Year Warranty

Terms and Conditions

IronRidge warrants each Mounting Structure to be free from defects in materials and workmanship for ten (10) years from the date of first purchase ("Warranty Period"), when installed properly and used for the purpose for which it is designed, except for the finish, which shall be free from visible peeling, or cracking or chalking under normal atmospheric conditions for a period of three (3) years, from the earlier of 1) the date the installation of the Product is completed, or 2) 30 days after the purchase of the Product by the original Purchaser ("Finish Warranty"). The Finish Warranty does not apply to any foreign residue deposited on the finish. All installations in corrosive atmospheric conditions are excluded. The Finish Warranty is VOID if the practices specified by AAMA 609 & 610-02 – "Cleaning and Maintenance for Architecturally Finished Aluminum" (www.aamanet.org) are not followed by Purchaser for IronRidge's aluminum based products.

The warranty covers the replacement cost of parts to repair the product to proper working condition. Transportation and incidental costs associated with warranty items are not reimbursable. The warranty does not cover normal wear, or damage resulting from misuse, abuse, improper installation, negligence, or accident. The warranty does not cover any defect that has not been reported in writing to IronRidge within ten (10) days after discovery of such defect. Furthermore, it does not cover units that have been altered, modified or repaired without written authorization from the manufacturer or its authorized representative, or units used in a manner or for a purpose other than that specified by the manufacturer. IronRidge's entire liability and Purchaser exclusive remedy, whether in contract, tort or otherwise, for any claim related to or arising out of breach of the warranty covering the Mounting Structures shall be correction of defects by repair, replacement, or credit, at IronRidge's discretion. Refurbished Mounting Structures may be used to repair or replace the Mounting Structures.

IronRidge shall have no liability for any injuries or damages to persons or property resulting from any cause, whatsoever, or any claims or demands brought against IronRidge by Purchaser, any employee of Purchaser, client of Purchaser, end-user of the Product or other party, even if IronRidge has been advised of the possibility of such claims or demands (collectively, "Third Party Claims"). This limitation applies to all materials provided by IronRidge during and after the Warranty Period.