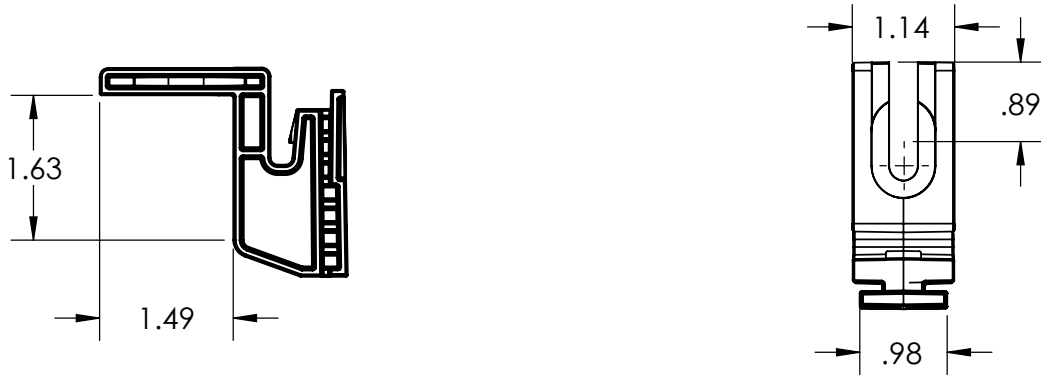


ITEM NO	DESCRIPTION	QTY IN KIT
1	RAIL-HANGER, J-BOX, BLK	1
2	QM, LID, J-BOX, BLK	1
3	THREAD FORMING SCREW FOR PLASTIC, #8 X .750", SS	2
4	HOUSING, J-BOX, BLK	1
5	#8-16 X 3/8" PHILLIPS DRIVE PAN HEAD	4
6	SCREW, PAN HEAD PHILLIPS, .250-20 UNC-2A	1
7	7" Din Rail	1
8	Ground Bar Kit, 4 Terminals	1

PART NUMBER	DESCRIPTION
QM-JBX-RL02-B1	JAYBOX, RAIL-MOUNTED

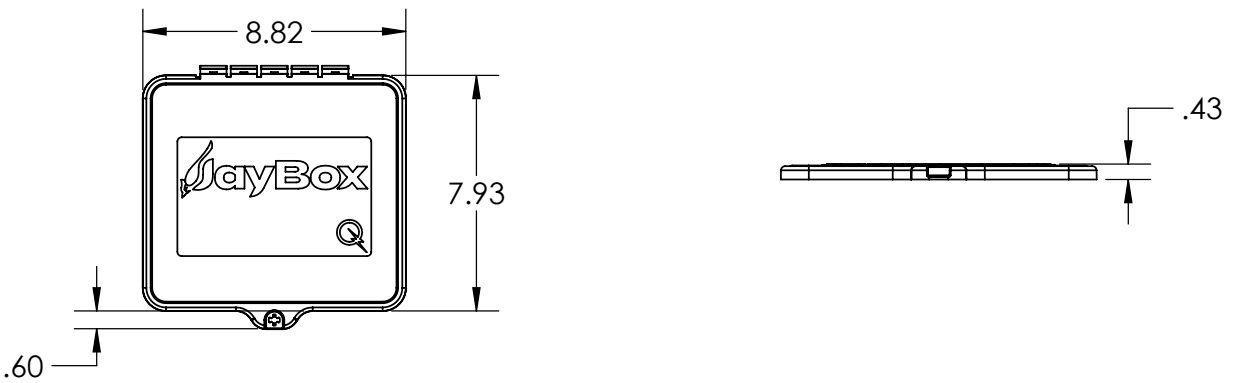


1) RAIL-HANGER, J-BOX, BLK



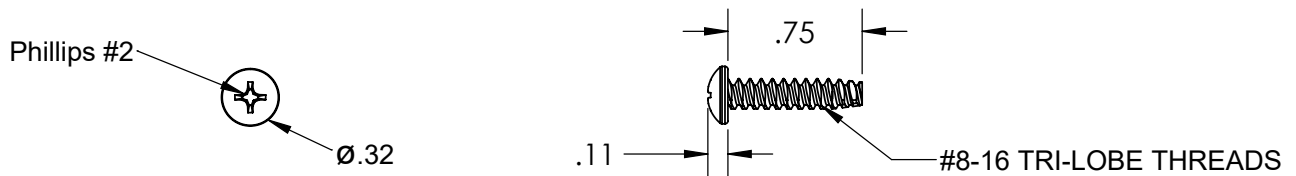
Property	Value
Material	NORYL
Finish	Black

2) QM, LID, J-BOX, BLK



Property	Value
Material	NORYL
Finish	Black

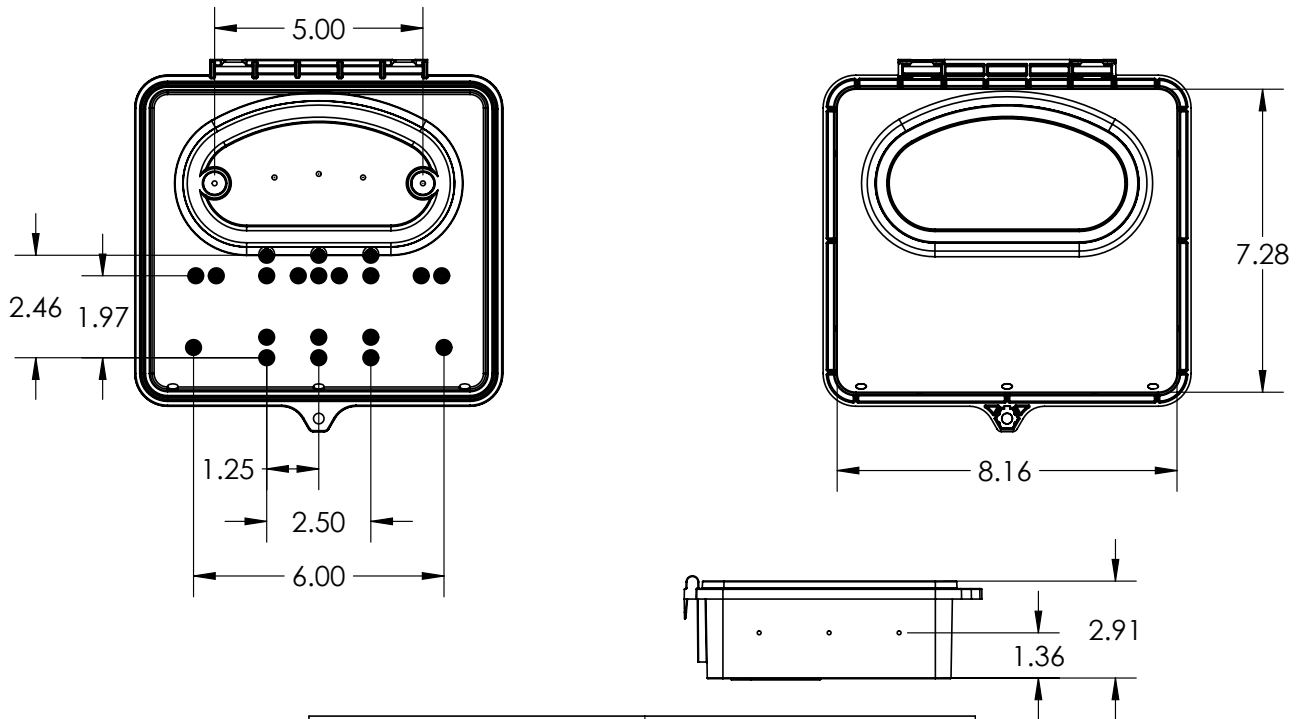
3) THREAD FORMING SCREW FOR PLASTIC, #8 X .750", SS



Property	Value
Material	300 Series Stainless Steel
Finish	Clear

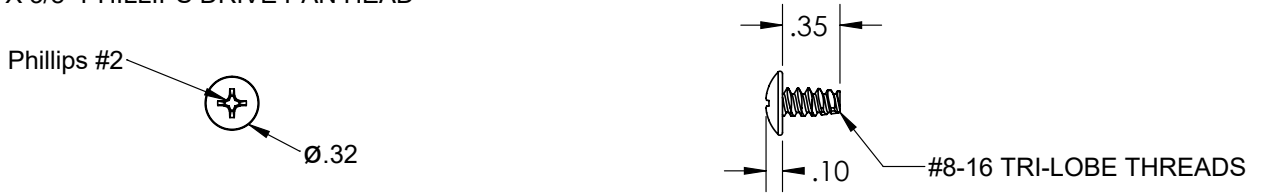


4) HOUSING, J-BOX, BLK



Property	Value
Material	NORYL
Finish	Black

5) #8-16 X 3/8" PHILLIPS DRIVE PAN HEAD



Property	Value
Material	300 Series Stainless Steel
Finish	Clear

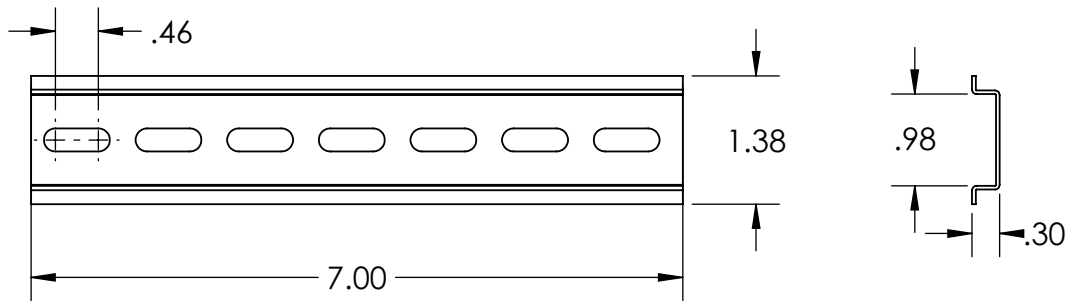
6) SCREW, PAN HEAD PHILLIPS, .250-20 UNC-2A



Property	Value
Material	300 Series Stainless Steel
Finish	Clear

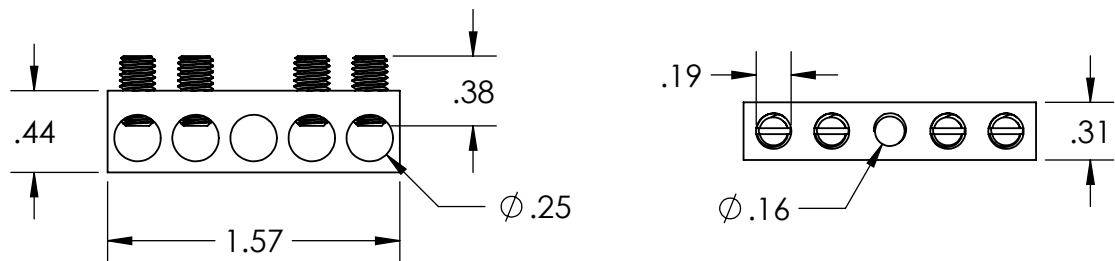


7. 7" Din Rail



Property	Value
Material	300 Series Stainless Steel
Finish	Clear

8. Ground Bar Kit, 4 Terminals



Property	Value
Material	6000 Series Aluminum
Finish	Mill

