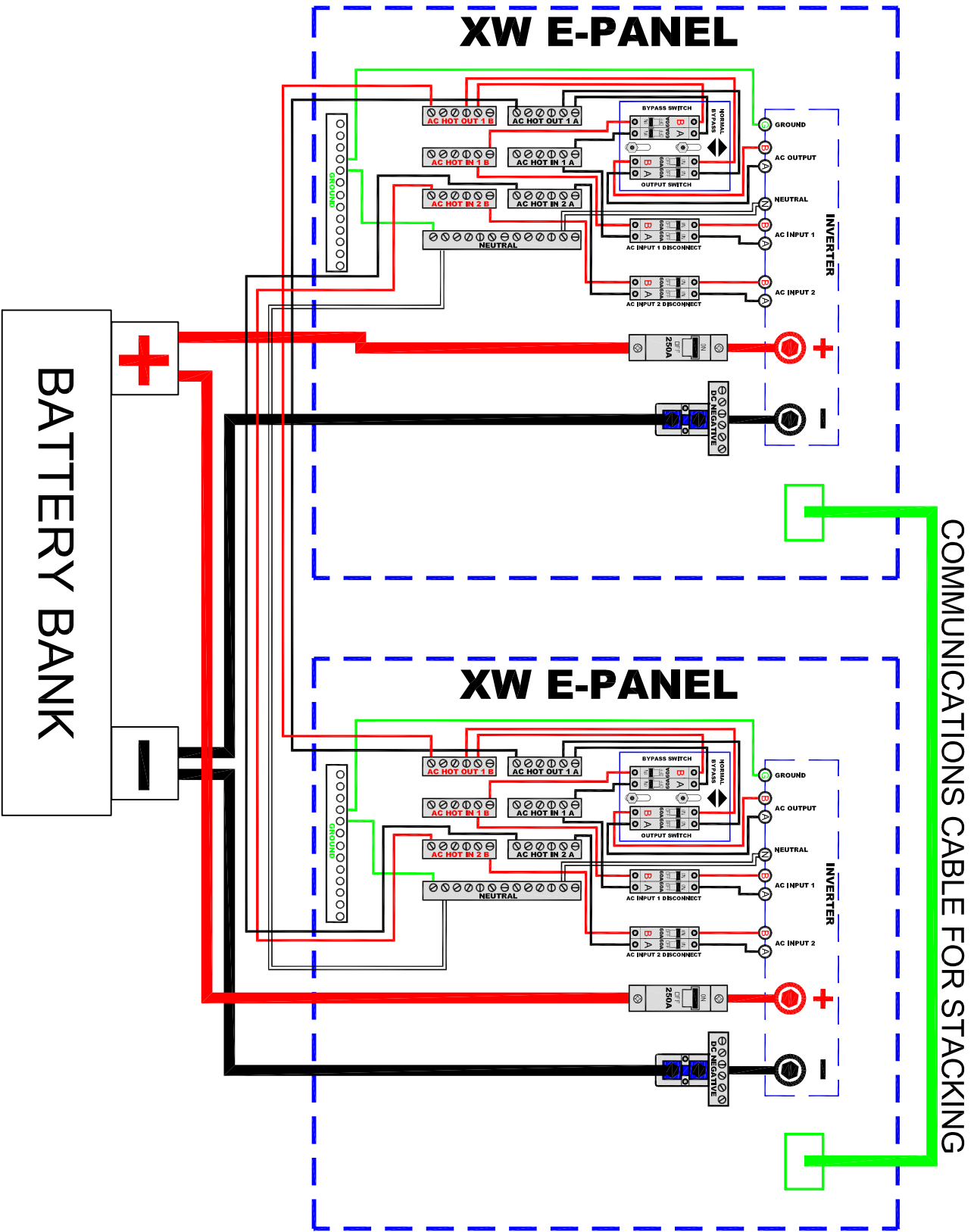


REV	DESCRIPTION	DATE	APPROVED



14000 BURN RD
ARLINGTON, WA
98223 USA

XW DUAL WIRING DIAGRAM

DRAWN BY ROBIN GUDGEL 1-26-09 XW DUAL WIRING DIAGRAM.DWG 1 of 1