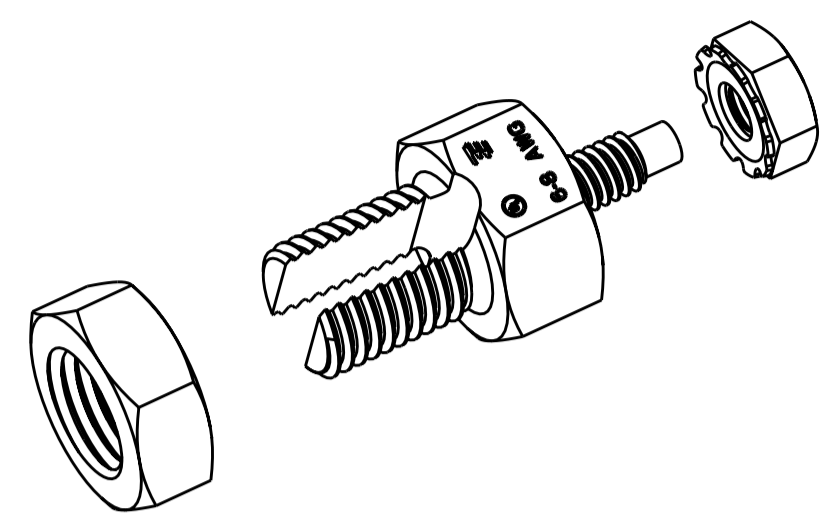


THIS DRAWING IS UNPUBLISHED. RELEASED FOR PUBLICATION 20
 © COPYRIGHT 20 BY TYCO ELECTRONICS CORPORATION. ALL RIGHTS RESERVED.

LOC		DIST		REVISIONS			
P	LTR	DESCRIPTION	DATE	DWN	APVD		
	2	REVISED	31MAR2009	DS	SG		
	3	ADDED SPEC. NO. CALLOUTS	06APR2009	DS	SG		
	4	ADD UL COMPLETED CERT (NOTE 4)	29APR2009	DS	SG		

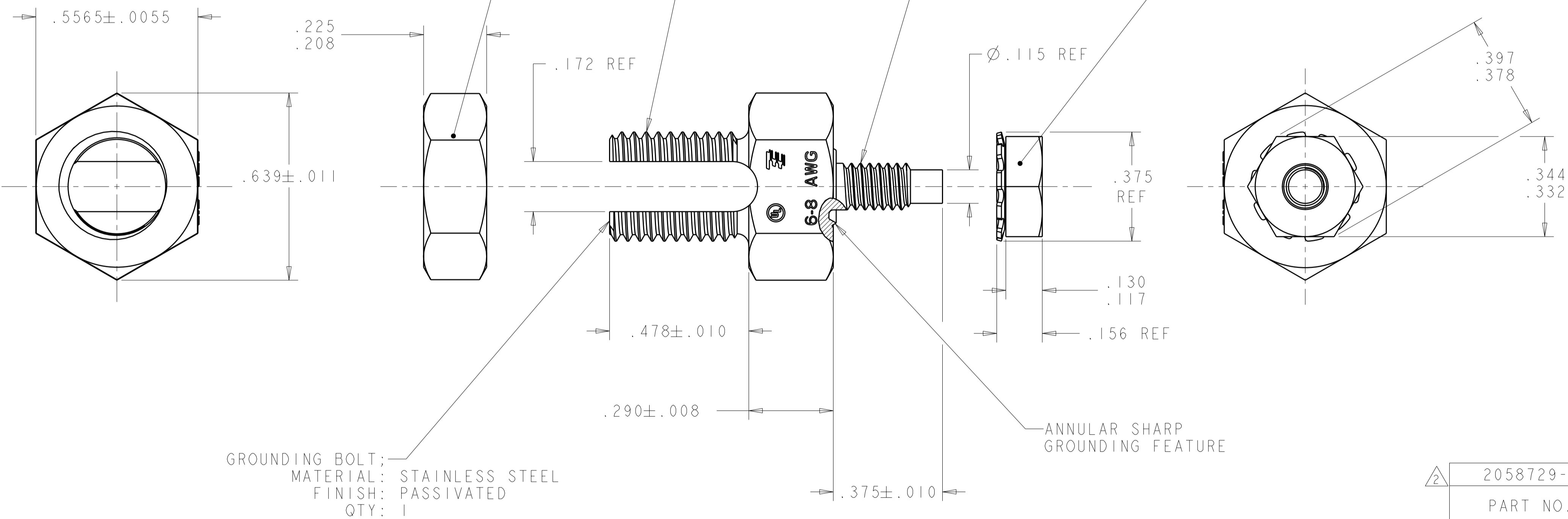
1. PARTS PACKAGED UNASSEMBLED.
2. PARTS INDIVIDUALLY BULK PACKED & SHIPPED AS A UNIT PACKAGE.
3. PATENT PENDING.
4. THIS PRODUCT HAS COMPLETED UL CERTIFICATION FOR GROUNDING AND BONDING EQUIPMENT (E69905).



SCALE 2:1

NUT, HEX,
 THREAD: 3/8-24UNF-2B;
 MATERIAL: STAINLESS STEEL
 FINISH: PASSIVATED
 QTY: 1

NUT-WASHER, KEPS;
 THREAD: #8-32UNC-2B
 MATERIAL: STAINLESS STEEL
 FINISH: PASSIVATED
 QTY: 1



2058729-1
 PART NO.

THIS PRINT IS
PRELIMINARY
 THE INFORMATION CONTAINED IN THIS DOCUMENT
 IS CONFIDENTIAL AND PROPRIETARY TO TYCO ELECTRONICS
 DO NOT REPRODUCE OR DISTRIBUTE
 DESIGN IS SUBJECT TO CHANGE WITHOUT NOTICE

THIS DRAWING IS A CONTROLLED DOCUMENT FOR TYCO ELECTRONICS CORPORATION IT IS SUBJECT TO CHANGE AND THE CONTROLLING ENGINEERING ORGANIZATION SHOULD BE CONTACTED FOR THE LATEST REVISION.		DWN D.E. STAHL 05NOV2008	Tyco Electronics Harrisburg, PA 17105-3608	
DIMENSIONS: INCHES		CHK S.GOOD 05NOV2008	NAME WIRE GROUNDING ASSEMBLY 6-8 AWG, SOLID WIRE	
TOLERANCES UNLESS OTHERWISE SPECIFIED:		APVD S.GHERARDINI 05NOV2008	PRODUCT SPEC 108-2380	
0 PLC ±. 1 PLC ±.1 2 PLC ±.02 3 PLC ±.005 4 PLC ±. ANGLES ±.		APPLICATION SPEC 408-10262	RESTRICTED TO -	
MATERIAL SEE CALLOUTS	FINISH SEE CALLOUTS	WEIGHT -	SIZE A200779	CAGE CODE C-2058729
CUSTOMER DRAWING		SCALE 4:1	SHEET 1	REV 4