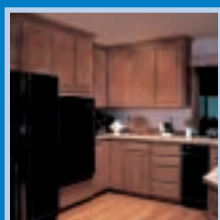


NATURAL LIGHT TUBULAR SKYLIGHTS

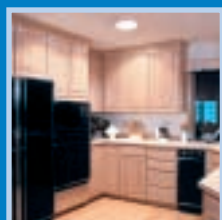
The Difference is Night and Day!



For about the cost of a nice light fixture, we can bring the soft light of the sun into virtually any space in your home. Installed on any roof surface in under two hours, you will quickly realize the cost benefits of a tubular skylight over incandescent and even traditional skylights. In addition to the free daytime operating cost, Natural Light tubular skylights do not contribute to heat loss or gain, unlike standard framed-in skylights.



before



after



25 YEAR PRODUCT WARRANTY

ICBO TESTED & APPROVED

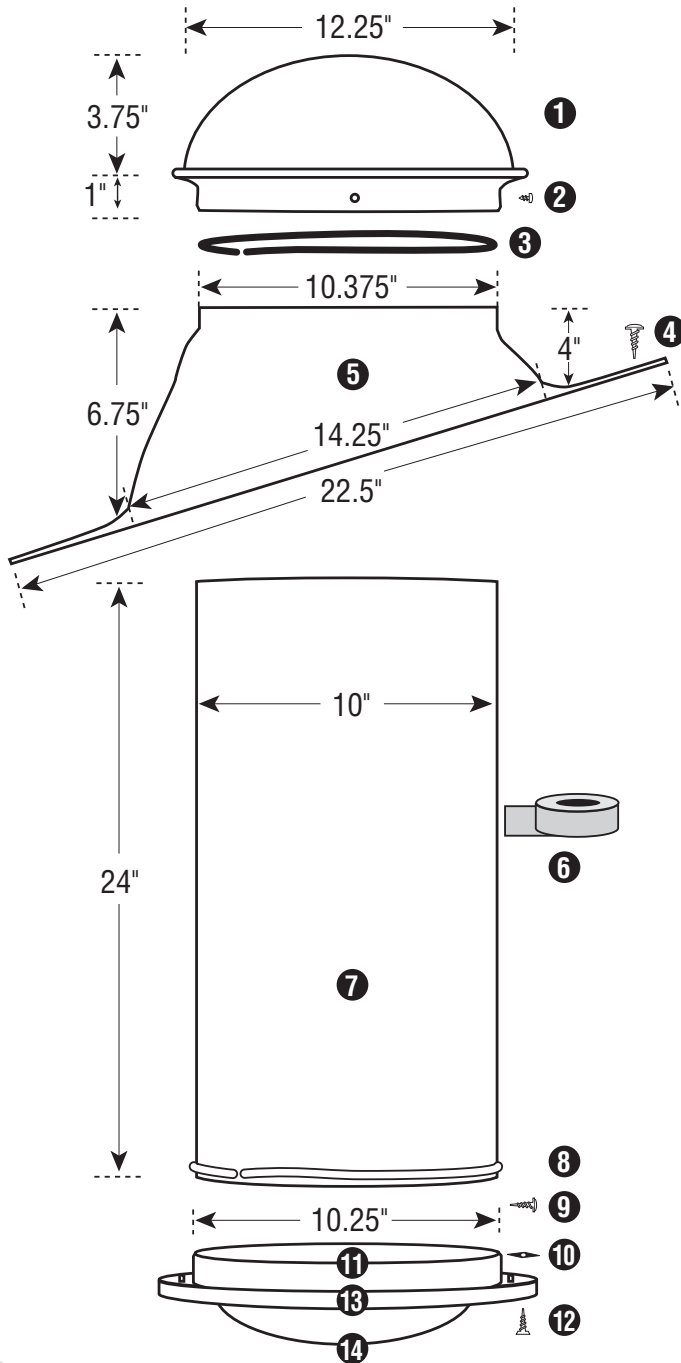
FLORIDA BUILDING CODE APPROVED

HURRICANE TESTED & APPROVED

 **Natural Light**
ENERGY SYSTEMS

www.nltubular.com

10" Tubular Skylight Technical Specifications



10" PITCHED ROOF FLASHING

1. Clear UV Protected, 100% High Impact Modified Acrylic Dome
2. (4) Philips Head Stainless Steel 1/4" Sheet Metal Screws
3. Black Nylon Horse Hair Gasket (Self-Adhesive Backed)
4. (6) Philip Head Stainless Steel 1 1/2" Screws
5. 1100 Series, .080" Thickness, Aircraft Grade Aluminum Flashing
6. Heavy Duty Foil Tape
7. Light Pipe, (2) 24" Sections per Kit
8. White Nylon Horse Hair Gasket (Self-adhesive Backed)
9. (6) Tek Screws
10. (3) Black Speed Nuts
11. Aluminum Ceiling Ring
12. (3) 1 1/2" Phillips Screws
13. White Powder Coated Aluminum Trim Ring
14. High Impact Acrylic Soft White or Prismatic Diffuser

ICBO
Approved



COVERAGE AREA

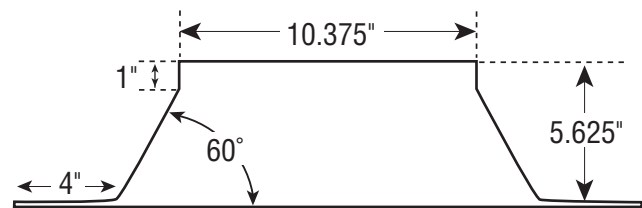
up to 150 sq. ft.

WATTAGE OUTPUT EQUIVALENT

up to 300 watts

MAXIMUM TUBE LIGHT LENGTH

18 feet



10" FLAT ROOF FLASHING