



SunWize Premium Enclosures

SunWize®

Hinged Cover Battery Enclosures

SunWize premium F-series hinged cover enclosures are engineered specifically for the PV industry allowing the installer to add controllers and other electrical components. Additional back, side and door panels are available. Designed for outdoor use, NEMA type 3R/12 construction, enclosures have bottom-to-top rain and dust proof vent design. A removable front opening door is lined with a sealing gasket and includes a special keyed cam-lock and dust cover. These enclosures are white powder coated aluminum for ultimate protection in severe climates. For applications in extreme hot or cold conditions, space is available for additional 1" foam insulation around the battery.

Features: • 3 models for either 1, 2 or 4 batteries (125 Ah) • Vertical design on 4 battery enclosure (2 + 2) with removable interior shelf • Passive venting with dust filtration pads • 1/4 turn cam-locking door latches with special key and dust cover • Electrical knockouts and ground lug hole on rear • Rear-top of enclosure 'hanger' built in for easy installation onto mounting brackets • Vandal resistant mounting brackets and U-bolt sets are sold separately

Model	Dimensions	DIM.A	Weight	MSRP
F1 - 1 battery	20.75" x 16.00" x 9.38"	12 7/8	25 lbs	\$335.00
F2 - 2 batteries	20.75" x 16.00" x 14.38"	12 7/8	30 lbs	\$379.00
F4 - 4 batteries	32.00" x 16.00" x 14.38"	24 1/8	40 lbs	\$499.00
Extra Door Key – #E3-5-15, Cylinder type				\$4.50



SunWize Economy Enclosures

Economy Battery Enclosures

Available in five sizes, E-series economy battery enclosures are cost-effective solutions for housing one to four batteries. These enclosures feature aluminum screw covers, NEMA 3R type rainproof, vented construction, and an attractive brushed grain finish with rear 1/2" electrical knockouts. They include a removable back panel for mounting PV controls and other components (except E1-19 size). The two small enclosures, have two external mounting feet sized for 2" pipe U-bolt attachment. The three large enclosures, for housing 1, 2 or 4 (up to 126 Ah) batteries, include a door lock-hasp and rear wall/pole mounting bracket holes. Brackets sold separately. Extra space is provided in all to allow for 1" foam insulation around the battery. Tamper proof door screws can be added for extra security.

Model	Dimensions	Weight	MSRP
E1-19	11.38 x 9.25 x 5.08	4.0 lbs	\$95.00
E1-55	14.50 x 10.25 x 7.50	6.0 lbs	\$125.00
E1-125	17.00 x 16.00 x 9.50	12.0 lbs	\$139.00
E2-250	17.00 x 16.00 x 15.00	17.0 lbs	\$159.00
E4-500	32.00 x 16.00 x 15.00	25.0 lbs	\$249.00



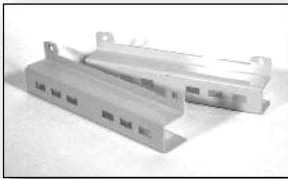
SW Top Opening Enclosure

Top Opening Battery Enclosures

Exterior white powder coated finish, T-series battery enclosures are designed for housing larger group 4D (250 Ah) & 8D (300 Ah) batteries and will house many other battery sizes as well. These enclosures feature 0.125" aluminum, NEMA 3R type rainproof-vented construction and include 3" x 5" channel skids with pad anchoring holes to provide ground clearance for a fork lift. The continuous ST-ST hinged cover includes a prop rod, lock hasp and 1/2" side conduit entries. All have interior mounting panel studs on sides and top cover for additional PV control & component mounting - panels are sold separately. Extra space is allowed for 2" foam insulation around the battery and under top cover - add 'F' suffix to model number for foam insulation installed.

Model	Quantity x Battery Group	Dimensions	Weight	MSRP
T-3X4D	3 x 4D or 2 x 8D	20.00" x 31.25" x 23.75"	55.0 lbs	\$595.00
T-6X4D	6 x 4D or 4 x 8D	20.00" x 48.25" x 30.25"	100.0 lbs	\$765.00
T-6X8D	8 x 4D or 6 x 8D	20.00" x 48.25" x 40.25"	125.0 lbs	\$995.00

Battery Enclosures

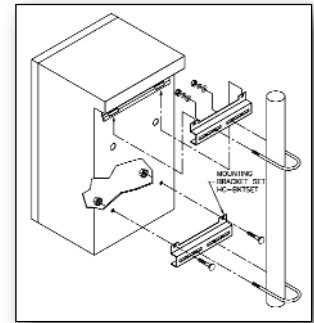


SW Premium Mounting Brackets

SunWize®

Premium Mounting Brackets - for wall/pole mounting, ideal for F-series enclosures

Matching white power coat finish aluminum channels are used for wall or pole mounting. Slotted pattern allows U-bolt sizes from 2" to 8" (schedule 40 pipe) or larger band clamps. Brackets are first mounted in place on wall or pole. Enclosure is then hung in place on top bracket and bolted through lower bracket to secure 'carriage-bolts' for vandal resistance.

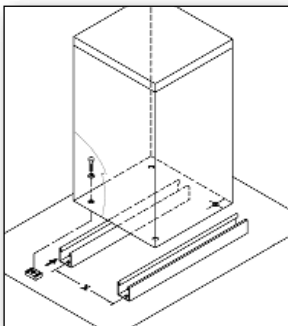
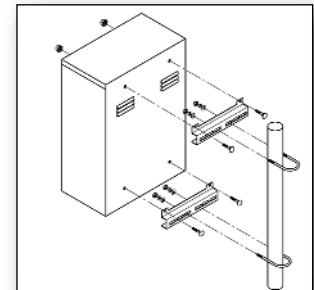


SW Economy Enclosure Mounting Brackets

Economy Enclosure Mounting Brackets - for wall or pole mounting, ideal for E-series enclosures

Same specs as above except with matching brushed grain finish.

Model	Dimensions	Weight	MSRP
F-BKTSET(Premium)	2" sq. x 13" long	2.0 lbs	\$35.00
E-BKTSET(Economy)	2" sq. x 13" long	2.0 lbs	\$29.00

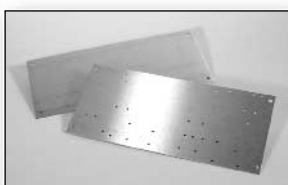


Mounting Brackets - for concrete pad

Aluminum strut channels are used in combination with captive lock nuts and supplied with 3/8" ST-ST fasteners for attachment to enclosure bottom - allows clearance for air flow, flood water and door opening. Concrete anchors not furnished. Requires four bottom holes added by installer. Can be used with either F or E series enclosures.

Model	Dimensions	Weight	MSRP
PD-MTGBKTSET	1-5/8" sq. x 20" long	4.0 lbs	\$45.00

SW Pad Brackets

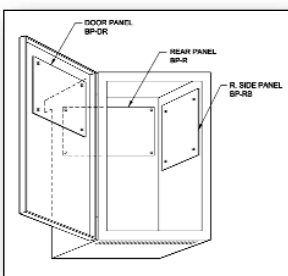


SW Enclosure Mounting Panels

Hinged Cover Enclosure Mounting Panels

All F-series enclosures include interior studs for mounting of 'Rear' and 'Right-Side' back panels and an interior door panel. Back panels are made of 0.080" brushed aluminum with four mounting holes. Right-side and door panels are blank, rear panels are either blank or with 39 pre-located holes for #8 self tapping screws, allowing simple attachment of most commonly used PV controllers, breakers, terminal strips, surge arrestors, and ballasts.

Model	Dimensions	Weight	MSRP
F-HC-RP-B Rear panel-blank	15.50 x 6.50	0.70 lbs	\$12.00
F-HC-RP-D Rear panel-drilled	15.50 x 6.50	0.70 lbs	\$15.00
F-HC-RSP-1B Right side (one battery)	8.75 x 3.75	0.23 lbs	\$9.00
F-HC-RSP-2/4B Right side (2/4 battery)	9.50 x 6.25	0.41 lbs	\$10.00
F-HC-DRP-2/4B Door panel	9.44 x 8.88	0.58 lbs	\$12.00



Enclosure w/Mounting Panels

Top Opening Enclosure Mounting Panels

Blank panels are 0.125" brushed aluminum with four mounting holes for side and top cover locations to allow attachment of PV charge controllers and other components. Side panel 'MP-S' fits all chest sizes. Top panel 'MP-T' fits both 6 x 4D & 6 x 8D enclosures.

Model	Dimensions	Weight	MSRP
MP-S Side Panel	15.50" x 6.50"	0.70 lbs.	\$12.00
MP-T3x4D Top Panel	24.00" x 13.00"	3.50 lbs.	\$59.00
MP-T Top Panel	24.00" x 24.00"	7.00 lbs.	\$99.00